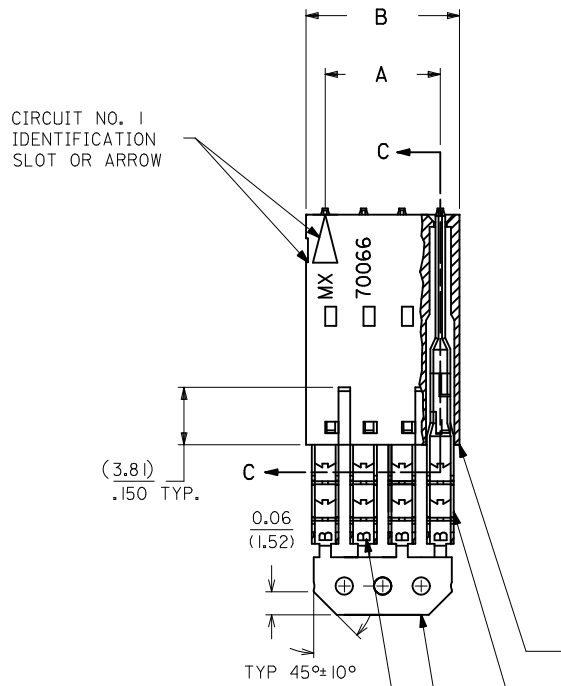
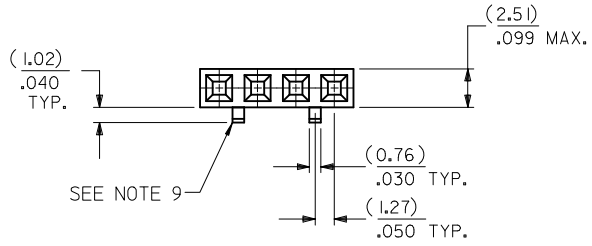
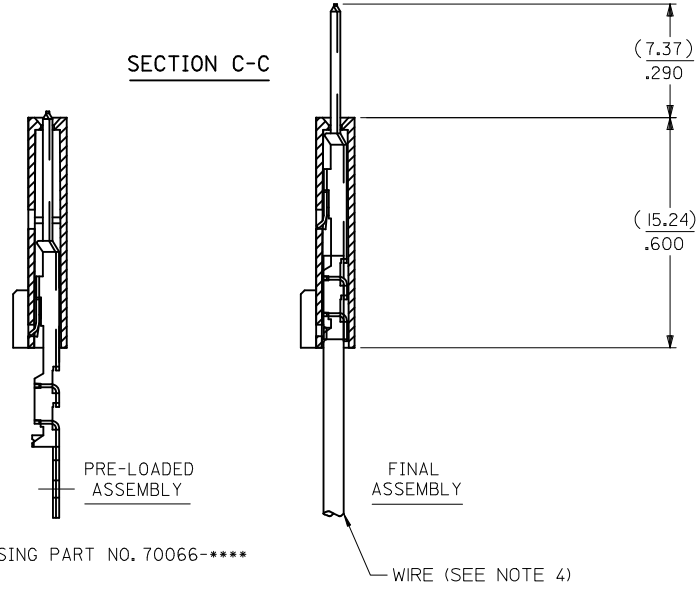


OPTION D

- NOTES:
- MATERIAL: HOUSING - G.F. POLYESTER, 94V-0
TERMINAL - PHOSPHOR BRONZE
 - FINISH: 0.38 MICROMETERS/15 MICROINCHES MINIMUM GOLD IN SELECT AREA
1.91 MICROMETERS/75 MICROINCHES MINIMUM TIN IN SELECT AREA
OVER NICKEL UNDERPLATE OVER-ALL.
 - PRODUCT SPECIFICATION: PS-70400
 - TO BE USED WITH 26 AWG. STANDARD WIRE WITH 1.35/.053 DIAMETER MAXIMUM INSULATION.
 - SEE CHART FOR CIRCUIT SIZES.
 - STANDARD PACKAGING PER PK-70873-0001. OPTIONAL PACKAGING MAY BE AVAILABLE. REQUEST DRAWING PK-70475.
 - PARTS STACKABLE END TO END ON 2.54/.100 CENTERS
 - SEE DRAWING SDA-70457-**** (SHEET 3) FOR OPTIONAL HOUSING DETAILS.
 - 4 CIRCUIT SHOWN. 3-25 CIRCUITS HAVE 2 RIBS.
 - TO MATE WITH MOLEX PART NUMBERS: 70018-0000, 70022-****, 70104-****.
 - 2 CIRCUIT ASSEMBLIES SUPPLIED AS GROUPED PAIRS.



SECTION C-C



CKT. SIZE	A	B	EDP. NO.	ENG. NO.
2	(2.54) .100	(5.05) .199	14-44-1602	A-70475-0771
3	(5.08) .200	(7.59) .299	14-44-1603	A-70475-0772
4	(7.62) .300	(10.13) .399	14-44-1604	A-70475-0773
5	(10.16) .400	(12.67) .499	14-44-1605	A-70475-0774
6	(12.70) .500	(15.21) .599	14-44-1606	A-70475-0775
7	(15.24) .600	(17.75) .699	14-44-1607	A-70475-0776
8	(17.78) .700	(20.29) .799	14-44-1608	A-70475-0777
9	(20.32) .800	(22.83) .899	14-44-1609	A-70475-0778
10	(22.86) .900	(25.37) .999	14-44-1610	A-70475-0779
11	(25.54) 1.000	(27.91) 1.099	14-44-1611	A-70475-0780
12	(27.94) 1.100	(30.45) 1.199	14-44-1612	A-70475-0781
13	(30.48) 1.200	(32.99) 1.299	14-44-1613	A-70475-0782
14	(33.02) 1.300	(35.53) 1.399	14-44-1614	A-70475-0783
15	(35.56) 1.400	(38.07) 1.499	14-44-1615	A-70475-0784
16	(38.01) 1.500	(40.61) 1.599	14-44-1616	A-70475-0785
17	(40.64) 1.600	(43.15) 1.699	14-44-1617	A-70475-0786
18	(43.18) 1.700	(45.69) 1.799	14-44-1618	A-70475-0787
19	(45.72) 1.800	(48.23) 1.899	14-44-1619	A-70475-0788
20	(48.26) 1.900	(50.77) 1.999	14-44-1620	A-70475-0789
21	(50.80) 2.000	(53.31) 2.099	14-44-1621	A-70475-0790
22	(53.34) 2.100	(55.85) 2.199	14-44-1622	A-70475-0791
23	(55.88) 2.200	(58.39) 2.299	14-44-1623	A-70475-0792
24	(58.42) 2.300	(60.93) 2.399	14-44-1624	A-70475-0793
25	(60.96) 2.400	(63.47) 2.499	14-44-1625	A-70475-0794



I.D. SLOT CODE TO WIRE GAUGE CHART	
I.D. SLOT CODE	WIRE GAUGE
B	26 AWG.

PLATING CODE (STRIPE ON CARRIER STRIP)	
PLATING	COLOR
15 GOLD	YELLOW

ADD GEN TOLERANCES	DESCRIPTION	QUALITY SYMBOLS
EC NO: UCP2011-3892	2011/06/27	▽=0
DRWINHIS IBARRA	2011/07/07	▽=0
CHKD:MORGAN		▽=0
APPR:SMILLER		

GENERAL TOLERANCES (UNLESS SPECIFIED)	
mm	INCH
4 PLACES ± .010	± .0004
3 PLACES ± .010	± .0004
2 PLACES ± 0.25	± .010
1 PLACE ± 0.35	± .014
ANGULAR ± 1/2°	

DIMENSION STYLE	
MM/IN	SCALE
DRAWN BY: WAZ	DATE: 10/13/84
CHECKED BY: WAZ	DATE: 10/13/84
APPROVED BY: RL	DATE: 10/13/84

TITLE		DESIGN UNITS		THIRD ANGLE PROJECTION	
SCALE		INCH		MATERIAL NO.	
4:1				SEE TABLE	
ASSEMBLY, SL CONNECTOR		MOLEX INCORPORATED		SHEET NO. 1 OF 1	
SINGLE ROW		SDA-70475-0771-0794			
2.54/.100 GRID					