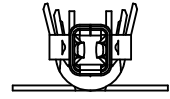
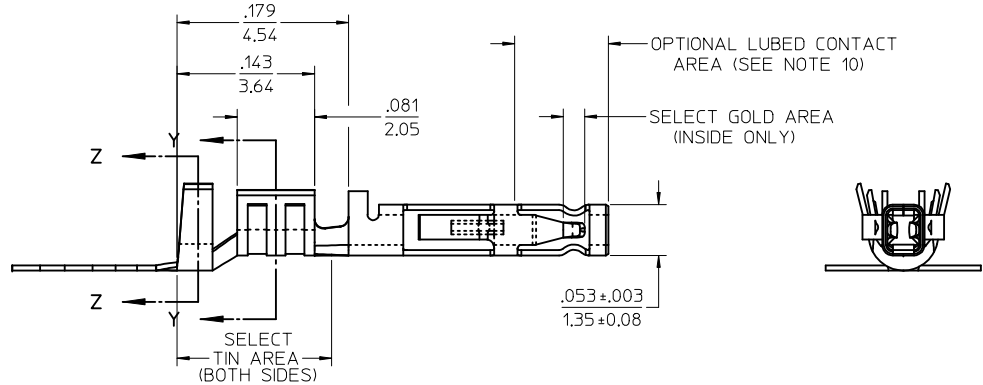
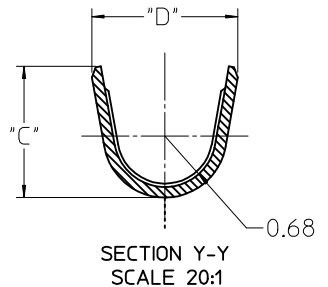
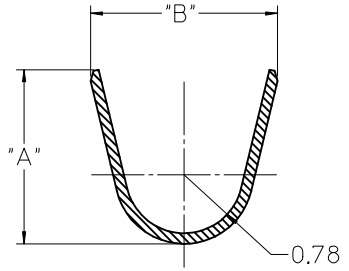
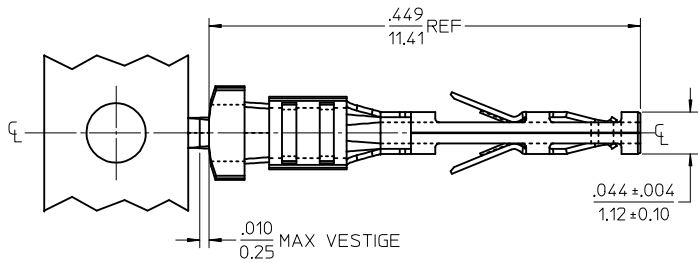
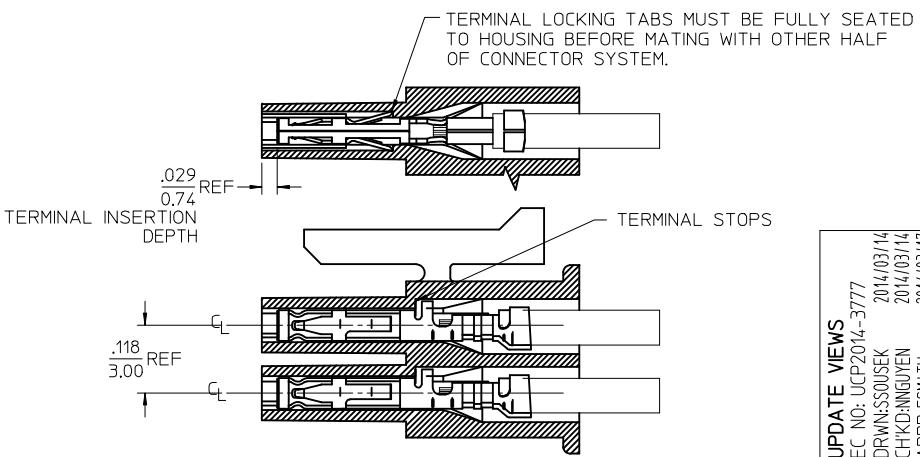


MATERIAL NUMBER	WIRE SIZE	PLATING OPTION	LUBRICATION	MAX INSULATION	"A" ±.012 ±0.30	"B" ±.012 ±0.30	"C" ±.012 ±0.30	"D" ±.012 ±0.30
46235-0001	20-24	1	NO	.073	.091	.098	.068	.073
46235-0002		2		1.85	2.30	2.48	1.73	1.93
46235-0003		1		.050	.075	.090	.048	.069
46235-0004	26-30	2	YES	1.27	1.90	2.29	1.22	1.75
46235-5001		1		.073	.091	.098	.068	.073
46235-5002	2	1.85		2.30	2.48	1.73	1.93	
46235-5003	26-30	1		.050	.075	.090	.048	.069
46235-5004		2		1.27	1.90	2.29	1.22	1.75



- NOTES
- MATERIAL: COPPER ALLOY
 - TERMINAL PLATING:
 - .000015/0.00038 MIN. SELECT GOLD .000100/0.00254 MIN. SELET TIN ALL OVER .000050/0.00127 MIN. NICKEL OVERALL.
 - .000030/0.00076 MIN. SELECT GOLD .000100/0.00254 MIN. SELET TIN ALL OVER .000050/0.00127 MIN. NICKEL OVERALL.
 - PRODUCT SPECIFICATION: PS-46235-001
 - PACKAGING SPECIFICATION: PK-46235-001
 - TERMINAL FOR USE IN RECEPTACLE SERIES 43025, 43645 AND 44133.
 - FOR TERMINAL ORIENTATION IN RECEPTACLE SEE PICTORIAL IN LOWER LEFT CORNER
 - THIS TERMINAL IS DESIGNED IN METRIC
 - MOLEX RECOMMENDS THE USE OF MICRO-FIT TEST PLUG (SERIES 44242) WHENEVER CONTINUITY TESTING IS PERFORMED. TEST PLUGS MUST NOT BE USED TO MAKE OR BREAK UNDER LOAD. MOLEX DOES NOT RECOMMEND USING STANDARD MATING COMPONENTS (SERIES 43020, 43045, 43640, 43650, OR 43031) FOR HARNESS TESTING PURPOSES
 - THIS PART CONFORMS TO CLASS B REQUIREMENTS OF COSMETIC SPEC PS-45499-002
 - MOLEX PROPRIETARY CONTACT LUBRICATION EB-1 IS APPLIED IN THE CONTACT AREA AS SHOWN. SEE CHART FOR APPLICABLE PART NUMBERS.



REV	DESCRIPTION
C2	UPDATE VIEWS EC NO: UCP2014-3777 DRW:SSOUSEK 2014/03/14 CHKD:NGUYEN 2014/03/14 APPR:FSMITH 2014/03/17

QUALITY SYMBOLS	
▽=0	
▽=0	

GENERAL TOLERANCES (UNLESS SPECIFIED)	
4 PLACES ± ---	± ---
3 PLACES ± ---	±.010
2 PLACES ± 0.25	±.014
1 PLACE ± 0.35	± ---
ANGULAR ±1/2°	

DIMENSION STYLE		SCALE	DESIGN UNITS	THIRD ANGLE PROJECTION
IN/MM		10:1	METRIC	
DRAWN BY DATE		TITLE		
TGREGORI 2007/02/05		MICRO-FIT (3.0) FEMALE CRIMP TERMINAL LOW MATE FORCE		
CHECKED BY DATE		MATERIAL NO.		
JCOMERC I 2007/03/19		SD-46235-001		
APPROVED BY DATE		SHEET NO.		
JCOMERC I 2007/03/19		1 OF 1		
DRAFT WHERE APPLICABLE MUST REMAIN WITHIN DIMENSIONS		SEE CHART		
SIZE C		THIS DRAWING CONTAINS INFORMATION THAT IS PROPRIETARY TO MOLEX INCORPORATED AND SHOULD NOT BE USED WITHOUT WRITTEN PERMISSION		