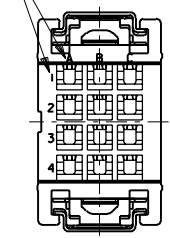
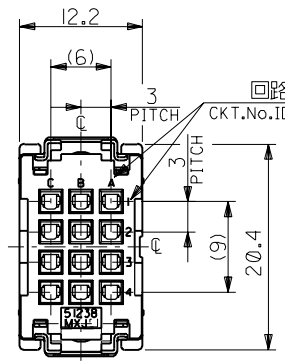
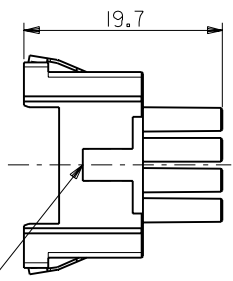


回路番号表示
CKT.No.IDENTIFICATION



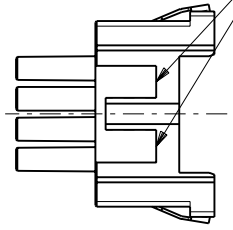
電線挿入側
WIRE SIDE

シェル挿入方向キー
POLARIZATIONS KEY FOR SHELL



嵌合側
MATING SIDE

シェル挿入方向キー
POLARIZATIONS KEY FOR SHELL



注記
NOTES

- 材質
MATERIAL
①ハウジング：ガラス入りPBT樹脂
HOUSING : PBT G.F.
UL94V-0 色：黒
UL94V-0 COLOR : BLACK
②スプリング：ステンレス鋼 t0.3
SPRING : STAINLESS STEEL t0.3
- 適用端子：56120-8*90 , 56121-8*90
APPLICABLE CRIMP PIN : 56120-8*90 , 56121-8*90
- 適用リセプタクル シェル：56377-12**
APPLICABLE RECEPTACLE SHELL : 56377-12**
- 嵌合相手：51234-120*
MEET WITH : 51234-120*

<誤嵌合防止キー（極性）タイプ> <POLARITY KEY TYPE>

51238-1211	51238-1212	51238-1213	51238-1214	51238-1215
STANDARD TYPE	A TYPE	B TYPE	C TYPE	D TYPE

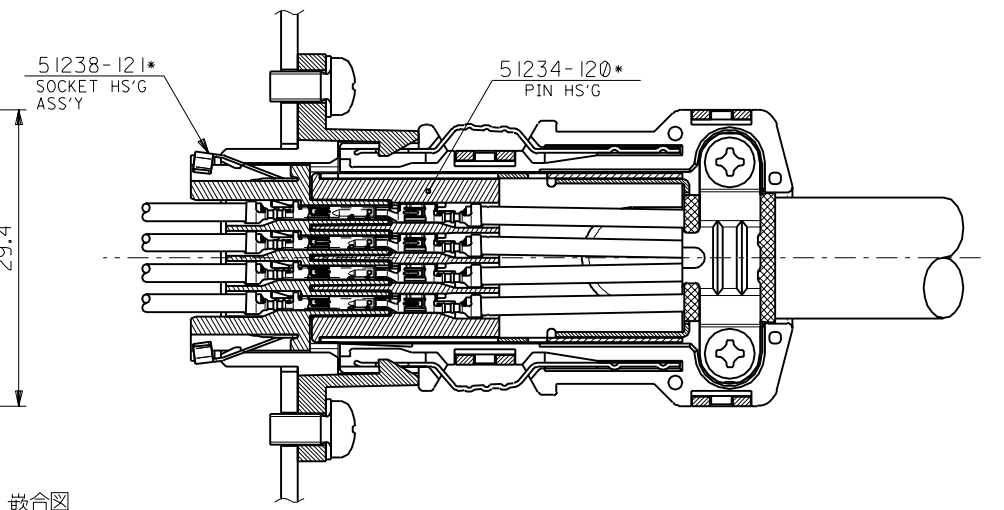
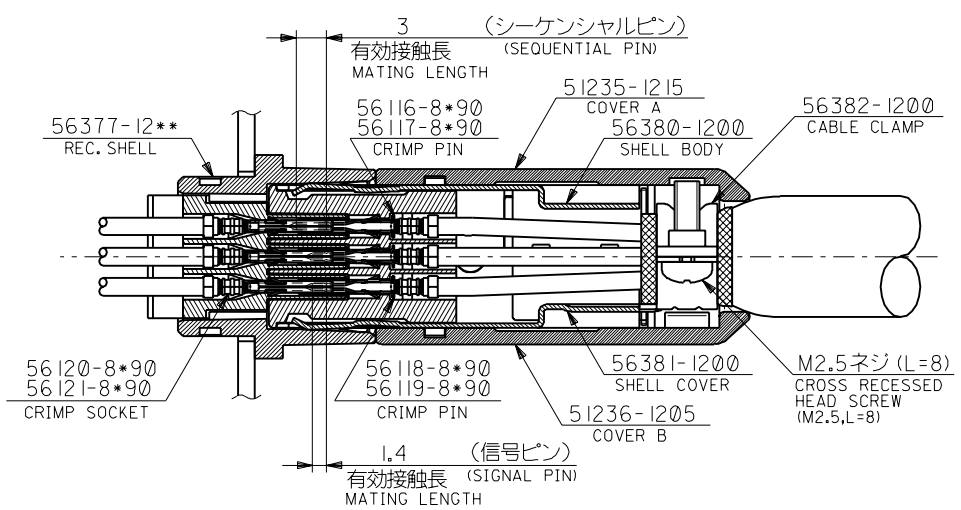
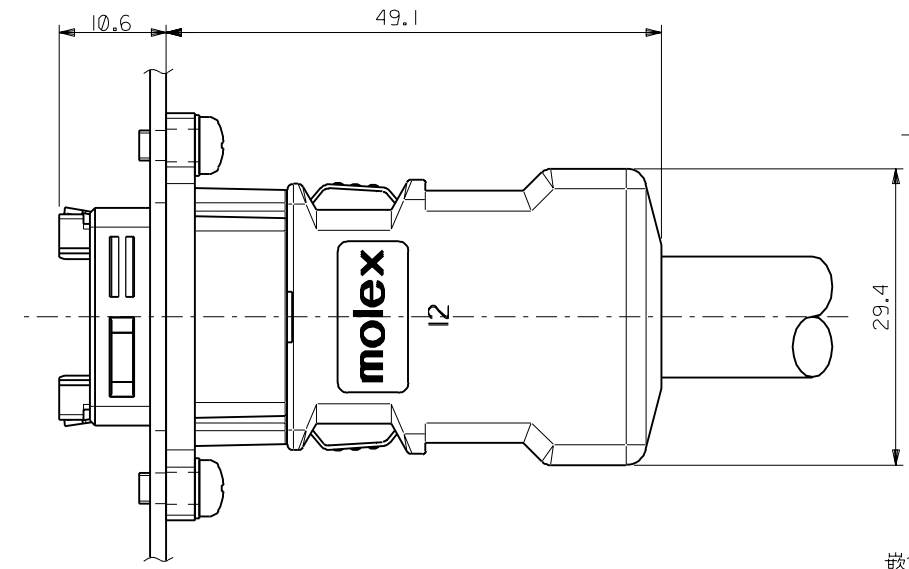
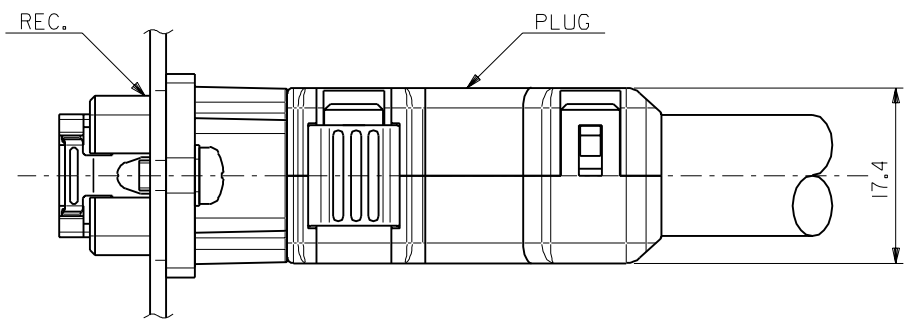
A-2	D	51238-1215	51238-***1*	12
C-3	C	51238-1214		
B-3	B	51238-1213		
B-2	A	51238-1212		
—#—	STANDARD	51238-1211		
POLARITY POSITION (CIRCUIT No.)	POLARITY TYPE	MATERIAL No.	MODEL No.	CIRCUIT

DO NOT SCALE DRAWING

EC NO. DRWN: CHK: APPR:	EC NO. DRWN: CHK: APPR:	EC NO. DRWN: CHK: APPR:	REVISED 01/10/04	MATERIAL 材料	GENERAL TOLERANCES: (UNLESS SPECIFIED) 一般公差	SCALE 2-1	DESIGN UNITS mm INCH	THIRD ANGLE PROJECTION	DIMENSIONS: mm INCH mm INCH	SHT REVISE ON CAD ONLY	REV
			EC NO. J2002-0786 DRWN: S.AKIYAMA CHK: J.MIYAZAWA APPR: YO.ITO								
A	0		RELEASED 01/02/16	FINISH 仕上げ	10 OVER 30 UNDER 以上 未満	±0.25	APPROVED BY & DATE J. Miyazawa / Y. Ito	MATERIAL NO. SEE CHART	DRAWING NO. SD-51238-007	SHEET NO. 1 OF 4	SIZE B
			EC NO. JD2001-1040 DRWN: S.AKIYAMA CHK: J.MIYAZAWA APPR: H.IKESUGI								
				INS. RANGE 被覆外径	—#—	ANGLE 角度	±3°	CAD FILE NAME 51238007.S01			

THIS DRAWING CONTAINS INFORMATION THAT IS PROPRIETARY TO MOLEX INCORPORATED AND SHOULD NOT BE USED WITHOUT WRITTEN PERMISSION.

DWG. NO. SD-51238-007

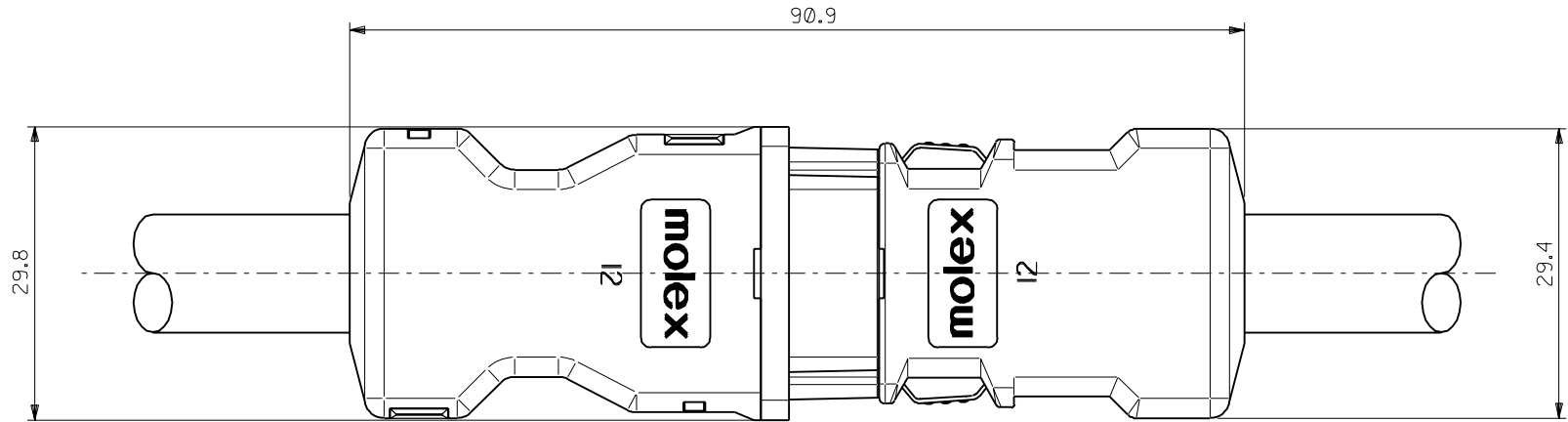
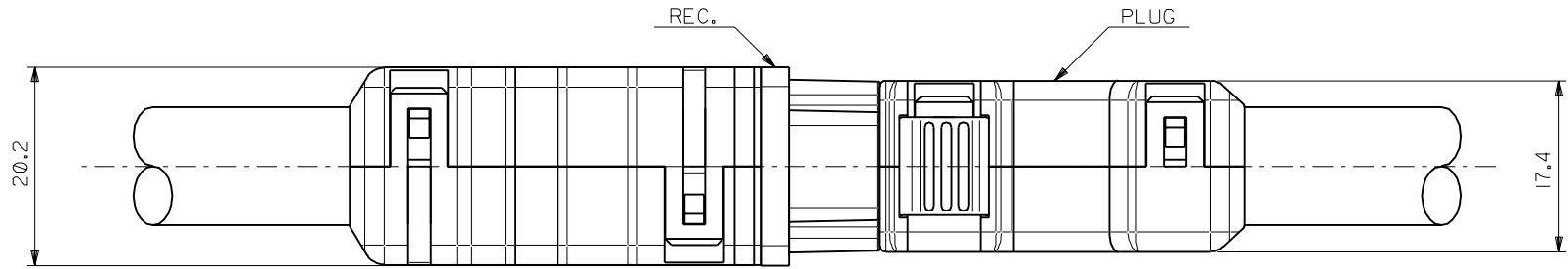


嵌合図
CROSS-SECTION VIEW OF MATED CONNECTOR

DO NOT SCALE DRAWING

EC NO. DRWN: CHK: APPR:	EC NO. DRWN: CHK: APPR:	EC NO. DRWN: CHK: APPR:	REVISED 01/10/04	MATERIAL 材料	GENERAL TOLERANCES: (UNLESS SPECIFIED) 一般公差	SCALE 2-1	DESIGN UNITS mm □ INCH	THIRD ANGLE PROJECTION	DIMENSIONS: mm □ INCH mm □ INCH	SHT REVISE ON CAD ONLY	REV
			EC NO. J2002-0786 DRWN: S.AKIYAMA CHK: J.MIYAZAWA APPR: YO.IITO								
A	Ø	Ø	RELEASED 01/02/16	FINISH 仕上げ	10 OVER 以上	30 UNDER 未満	±0.25	CHECKED BY & DATE <i>J. Masawa</i> / 01/20	MATERIAL NO. SEE CHART	DRAWING NO. SD-51238-007	SHEET NO. 2 OF 4
			EC NO. JD2001-1040 DRWN: S.AKIYAMA CHK: J.MIYAZAWA APPR: H.IKESUGI								
REV	INS. RANGE 被覆外径	ANGLE 角度	±3°	CAD FILE NAME 51238007.S01	THIS DRAWING CONTAINS INFORMATION THAT IS PROPRIETARY TO MOLEX INCORPORATED AND SHOULD NOT BE USED WITHOUT WRITTEN PERMISSION.			SIZE B			

51238007.S02



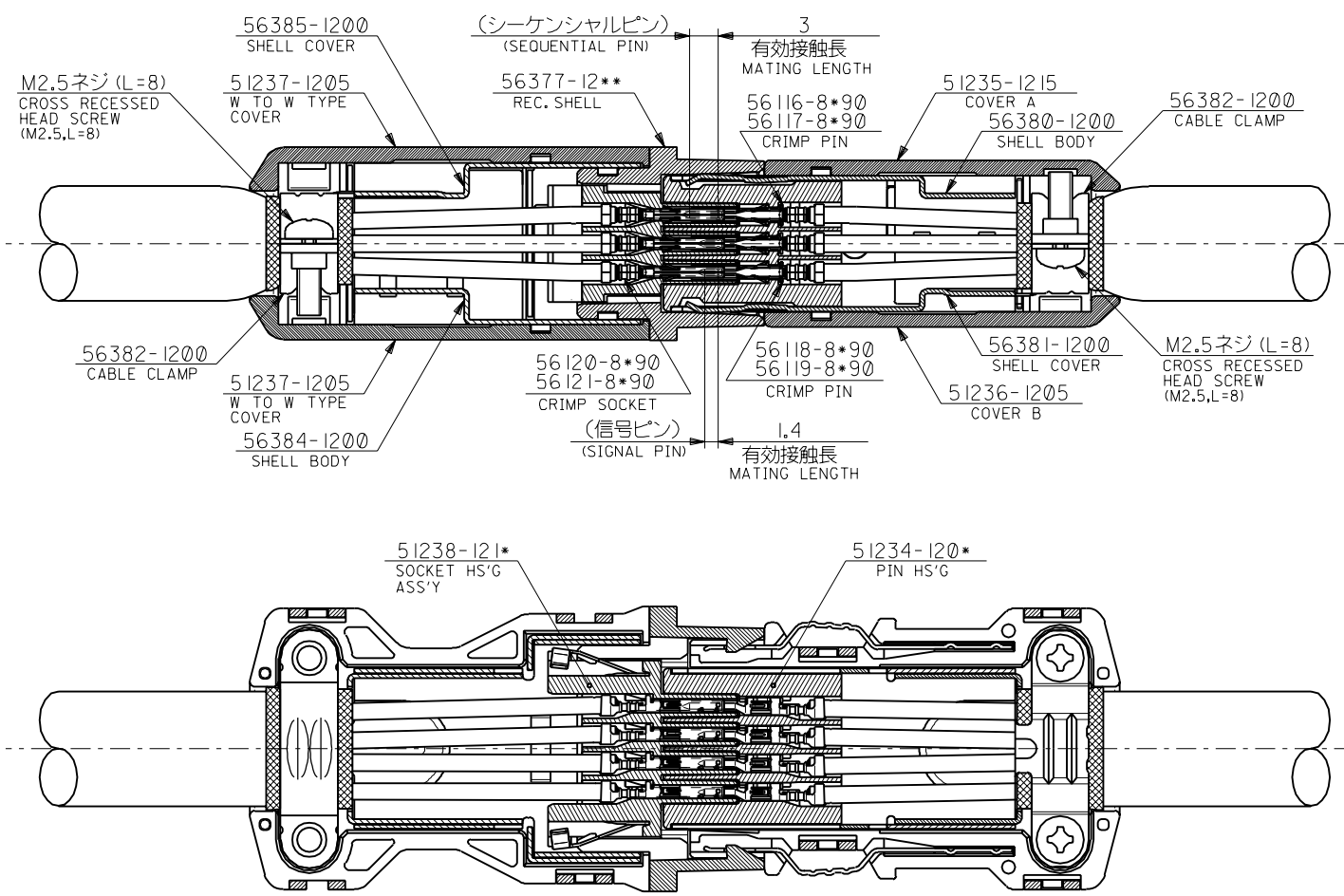
嵌合図 (中継タイプ)
CROSS-SECTION VIEW OF MATED CONNECTOR
(WIRE TO WIRE TYPE)

DO NOT SCALE DRAWING

EC NO. DRWN: CHK: APPR:	EC NO. DRWN: CHK: APPR:	EC NO. DRWN: CHK: APPR:	REVISED 01/10/04	MATERIAL 材料	GENERAL TOLERANCES: (UNLESS SPECIFIED) 一般公差	SCALE	DESIGN UNITS	THIRD ANGLE PROJECTION	DIMENSIONS:		SHT	REV
			EC NO. J2002-0786 DRWN: S.AKIYAMA CHK: J.MIYAZAWA APPR: YO.ITO			注記参照 SEE NOTES	2-1		mm mm INCH INCH	<input type="checkbox"/> mm <input type="checkbox"/> INCH	<input checked="" type="checkbox"/> mm ONLY	
A	0	A	RELEASED 01/02/16	FINISH 仕上げ	WIRE RANGE 適用電線範囲	10 UNDER 未満	CHECKED BY & DATE S. Akizawa 01/25	TITLE:	COMPACT ROBOT CONN. (CRC) REC. SOCKET HS'G ASS'Y			
			DRWN: S.AKIYAMA CHK: J.MIYAZAWA APPR: H.IKESUGI			#						
			INS. RANGE 被覆外径	#	30 OVER 以上	±0.3	MOLEX INCORPORATED	THIS DRAWING CONTAINS INFORMATION THAT IS PROPRIETARY TO MOLEX INCORPORATED AND SHOULD NOT BE USED WITHOUT WRITTEN PERMISSION.				
			ANGLE 角度	#	±3°	51238007.S03						SIZE B

51238007.S03

DWG. NO. SD-51238-007



嵌合図 (中継タイプ)
CROSS-SECTION VIEW OF MATED CONNECTOR
(WIRE TO WIRE TYPE)

DO NOT SCALE DRAWING

EC NO. DRWN: CHK: APPR:	EC NO. DRWN: CHK: APPR:	EC NO. DRWN: CHK: APPR:	REVISED 01/10/04	MATERIAL 材料	GENERAL TOLERANCES: (UNLESS SPECIFIED) 一般公差	SCALE	DESIGN UNITS	THIRD ANGLE PROJECTION	DIMENSIONS: <input type="checkbox"/> mm <input type="checkbox"/> INCH	<input checked="" type="checkbox"/> mm ONLY	SHT	REV	
			EC NO. J2002-0786 DRWN: S.AKIYAMA CHK: J.MIYAZAWA APPR: Y.O.IITO			DESCRIPTION	10 UNDER 未満				2-1	<input checked="" type="checkbox"/> mm <input type="checkbox"/> INCH	REVISION
A	0	0	RELEASED 01/02/16	注記参照 SEE NOTES	10 OVER 以上	30 UNDER 未満	±0.2	DRAWN BY & DATE <i>S. Akiyama</i> / 01/25	TITLE: COMPACT ROBOT CONN. (CRC) REC. SOCKET HS'G ASS'Y				
			EC NO. JD2001-1040 DRWN: S.AKIYAMA CHK: J.MIYAZAWA APPR: H.IKESUGI	FINISH 仕上げ	30 OVER 以上	±0.25	CHECKED BY & DATE <i>J. Miyazawa</i> / 3.06						
				WIRE RANGE 適用電線範囲	—	ANGLE 角度	±3°	APPROVED BY & DATE <i>Y. Oito</i>	MATERIAL NO. SEE CHART				
				INS. RANGE 被覆外径	—			CAD FILE NAME 51238007.S04	MATERIAL NO. SEE CHART		DRAWING NO. SD-51238-007	SHEET NO. 4 OF 4	SIZE B

THIS DRAWING CONTAINS INFORMATION THAT IS PROPRIETARY TO MOLEX INCORPORATED AND SHOULD NOT BE USED WITHOUT WRITTEN PERMISSION.

51238007.S04