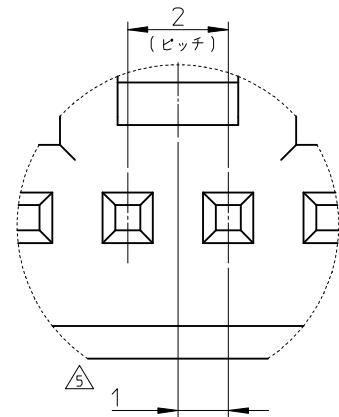
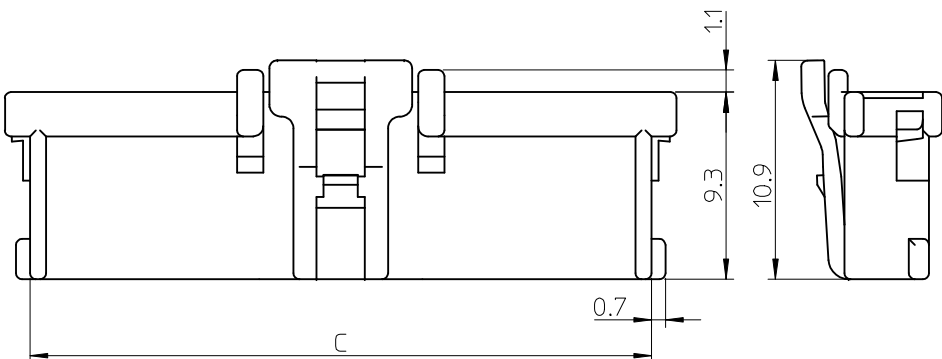


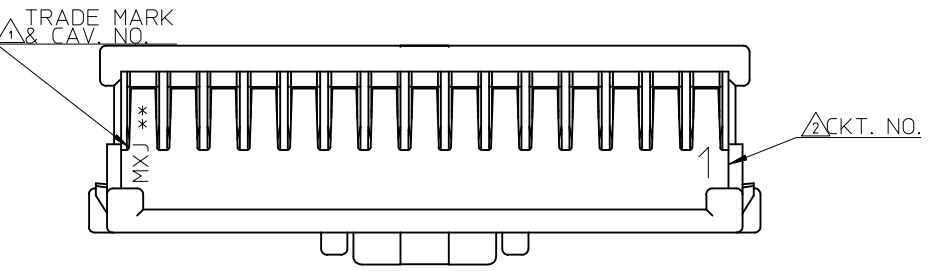
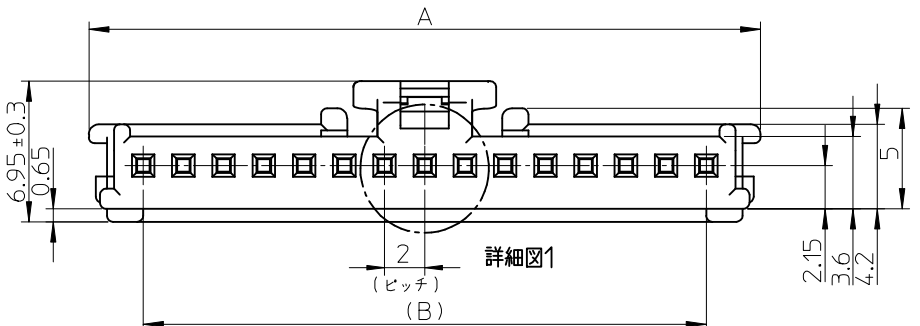
- NOTES
 △ 文字の大きさは0.7にて鮮明な事。
 SIZE OF LETTERS 0.7 AND CLEAR.
 △ 文字の大きさは1にて鮮明な事。
 SIZE OF LETTERS 1 AND CLEAR
 3. 適合ターミナル:59370,56134シリーズ
 APPLICABLE TERM. : 59370,56134SERIES.
 4. 嵌合相手:55932,55935シリーズ
 MATE WITH : 55932,55935SERIES.
 △ 偶数極に適用。
 APPLY EVEN CIRCUIT
 6. 材料 66NYLON
 7. 製品番号
 MATERIAL NO.



詳細図1
Scale 10:1

51382-****
 極数 CKT 色 COLOR

自然色 (白) NATURAL (WHITE)		00
黒 BLACK		01
赤 RED		02
黄 YELLOW		03
青 BLUE		04
桃 PINK		05
緑 GREEN		06
茶 BROWN		07
橙 ORANGE		08
紫 VIOLET		09
灰 GRAY		11
蛍光黄 FLUORESCENCE YELLOW		13
水 PALE BLUE		14
黄緑 YELLOWISH GREEN		16

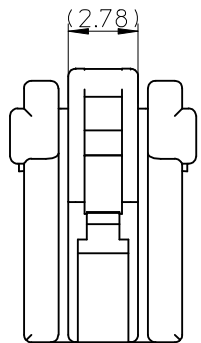


30.9	28	33.4	51382-15**	15
28.9	26	31.4	51382-14**	14
26.9	24	29.4	51382-13**	13
24.9	22	27.4	51382-12**	12
22.9	20	25.4	51382-11**	11
20.9	18	23.4	51382-10**	10
18.9	16	21.4	51382-09**	9
16.9	14	19.4	51382-08**	8
14.9	12	17.4	51382-07**	7
12.9	10	15.4	51382-06**	6
10.9	8	13.4	51382-05**	5
8.9	6	11.4	51382-04**	4
6.9	4	9.4	51382-03**	3
4.9	2	7.4	51382-02**	2
C	B	A	MATERIAL NO.	CKT

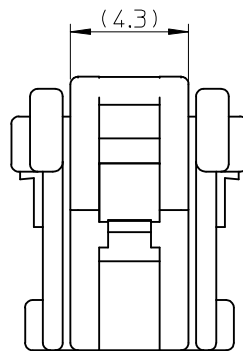
REVISED EC NO: J2013-0766 DRWN: YWAKE CHKD: APPR: Y01TO 2013/01/15 2013/01/15	GENERAL TOLERANCES (UNLESS SPECIFIED)		DIMENSION STYLE MM ONLY		SCALE 4:1	DESIGN UNITS METRIC	THIRD ANGLE PROJECTION	
	10 UNDER	±0.2	DRAWN BY T. NIITSU	DATE '02/31/19	TITLE 2.0 W/B CONN. HOUSING			
	10 OVER 30 UNDER	±0.3	CHECKED BY T. ITO	DATE '02/10/22				
	30 OVER	±0.3	APPROVED BY T. YAMAGU	DATE '02/10/22				
ANGULAR	±3 °	MATERIAL NO. SEE TABLE		DOCUMENT NO. SD-51382-002		SHEET NO. 1 OF 2		
DRAFT WHERE APPLICABLE MUST REMAIN WITHIN DIMENSIONS		THIS DRAWING CONTAINS INFORMATION THAT IS PROPRIETARY TO MOLEX INCORPORATED AND SHOULD NOT BE USED WITHOUT WRITTEN PERMISSION						

10 9 8 7 6 5 4 3 2 1

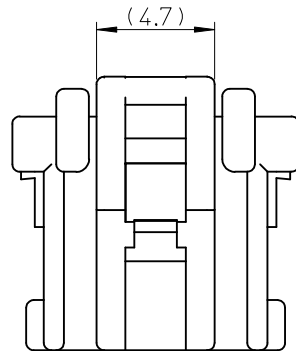
F
E
D
C
B
A



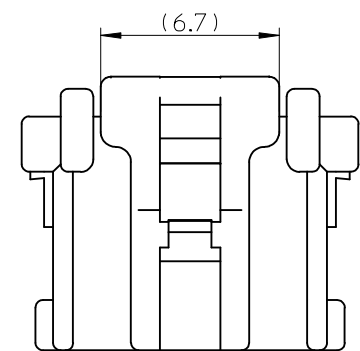
2極品



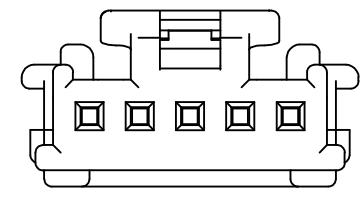
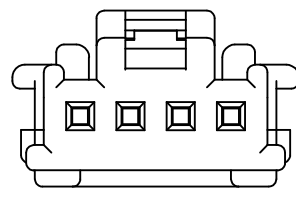
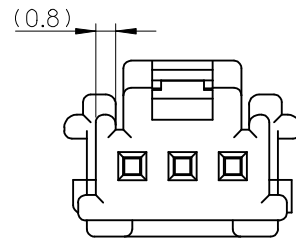
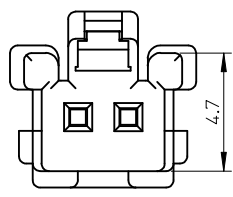
3極品



4極品



5極品以上



REVISED EC NO: J2013-0766 DRWN: YMAKE CHKD: APPR: Y0 ITO	2013/01/15 2013/01/15	GENERAL TOLERANCES (UNLESS SPECIFIED)		DIMENSION STYLE MM ONLY		SCALE 5:1	DESIGN UNITS METRIC	THIRD ANGLE PROJECTION		
		10 UNDER	±0.2	DRAWN BY T. NIITSU	DATE '02/3/19	TITLE 2.0 W/B CONN. HOUSING				
		10 OVER 30 UNDER	±0.3	CHECKED BY T. ITO	DATE '02/10/22					
		30 OVER	±0.3	APPROVED BY T. YAMAGU	DATE '02/10/22	molex				
ANGULAR ±3 °		MATERIAL NO. SEE SHEET1		DOCUMENT NO. SD-51382-002						
DRAFT WHERE APPLICABLE MUST REMAIN WITHIN DIMENSIONS		THIS DRAWING CONTAINS INFORMATION THAT IS PROPRIETARY TO MOLEX INCORPORATED AND SHOULD NOT BE USED WITHOUT WRITTEN PERMISSION								

9 8 7 6 5 4 3 2