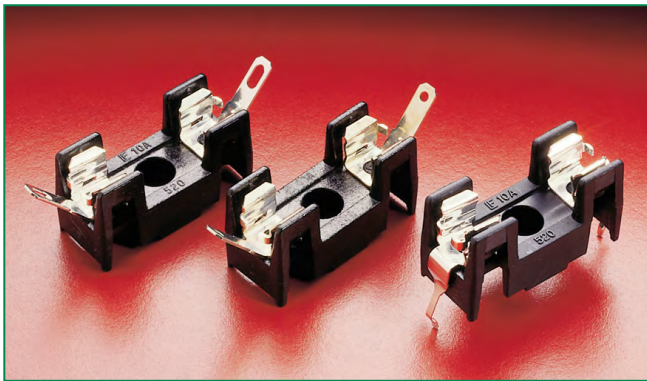


520 Series Metric OMNI-BLOK® Molded Base Fuse Block for 5×20mm Fuses



Agency Approval

Agency	Agency File Number
	E14721
	7316
	97121

Additional Information



Datasheet



Resources



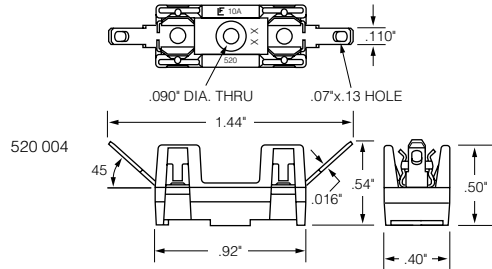
Samples

Product Characteristics

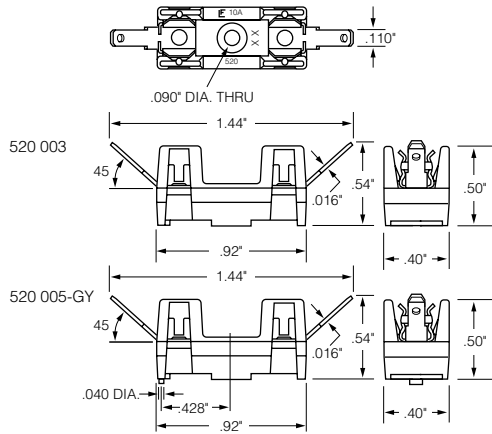
Compatible Fuse Sizes	5×20mm Fuses												
Description	The metric Omni-Blok® fuse block, for 5×20mm size fuses, is a low profile design that is available with a choice of solder type terminals, NEMA style QC terminals, or PC board mountable terminals. Each of these designs has tin plated brass terminals. A unique design feature provides self-alignment of the clips to the fuse caps. This feature, plus a one-piece clip/terminal design, assures low contact resistance. An anti-one-piece clip/terminal design, assures low contact resistance. An anti rotation feature is also available on the solder and QC terminal designs.												
Electrical	<table border="0"> <tr> <td></td> <td>UL/CSA</td> <td>VDE</td> </tr> <tr> <td>Solder Type</td> <td>— 10A, 600V., 6.3A, 250V</td> <td></td> </tr> <tr> <td>Q.C. Type</td> <td>— 10A, 600V. 6.3A, 250V</td> <td></td> </tr> <tr> <td>PCB Type</td> <td>— 10A, 600V. 6.3A, 250V</td> <td></td> </tr> </table>		UL/CSA	VDE	Solder Type	— 10A, 600V., 6.3A, 250V		Q.C. Type	— 10A, 600V. 6.3A, 250V		PCB Type	— 10A, 600V. 6.3A, 250V	
	UL/CSA	VDE											
Solder Type	— 10A, 600V., 6.3A, 250V												
Q.C. Type	— 10A, 600V. 6.3A, 250V												
PCB Type	— 10A, 600V. 6.3A, 250V												
Dielectric Strength	1500V., Minimum												
Clip/Terminals	Tin-Plated Spring Brass												
Base	Glass reinforced Thermoplastic. UL 94V0 flammability rating. Gray color (GY) for anti-rotational series, black color for all others.												
Ambient Temperature	–40°C to +85°C												

Product Dimensions

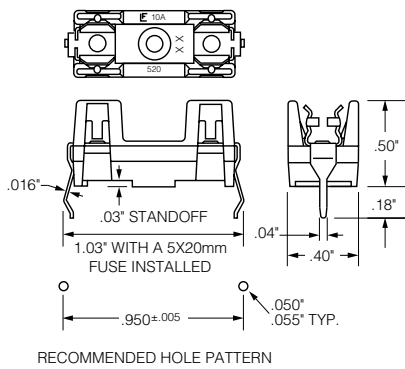
Solder Terminals Type:



Q.C. Terminals Type:



PC Board Mount Type:



Ordering Information

Ordering PN	Part Number	Width (B)	Clip/Terminal Material	Anti-Rotation Boss
Solder Terminals Type				
0520 0004 Z	520 004	.40"	Brass	No
Q.C. Terminals (NEMA Style .110") Type				
0520 0003 Z	520 003	.40"	Brass	No
0520 0005 ZXGY	520 005 GY	.40"	Brass	Yes
P.C. Board Mount Type				
0520 0101 Z	520 101	.40"	Brass	No