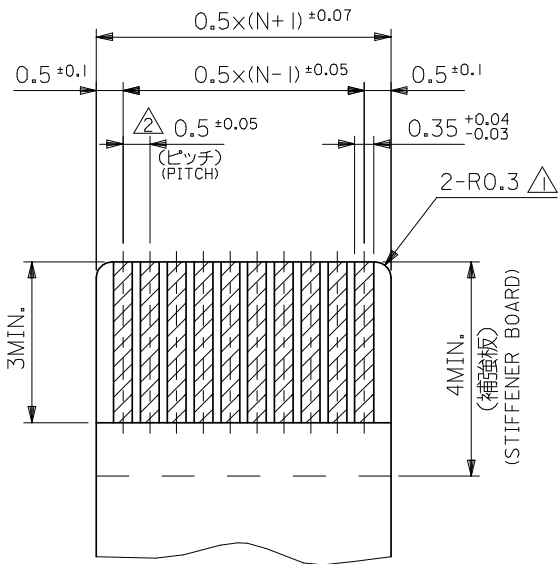


注記 NOTES

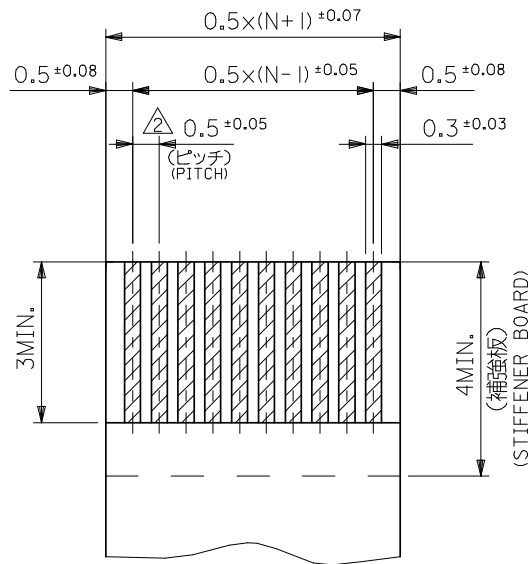
- 材質 MATERIAL  
 ハウジング: PPHS, UL94V-0  
 HOUSING: PPHS, UL94V-0  
 ターミナル: リン青銅 (t=0.2)、  
 ニッケル下地、金メッキ (接点部) 錫メッキ (テール部)  
 TERMINAL: PHOS-BRO.(t=0.2),  
 GOLD (CONTACT) TIN (TAIL) OVER NICKEL PLATING  
 金具: リン青銅 (t=0.2)、ニッケル下地 錫メッキ  
 FITTING NAIL: PHOS-BRO.(t=0.2), TIN OVER NICKEL PLATING  
 HARF BRIGHT PLATING  
 偶数極に適用。  
 APPLY FOR EVEN CIRCUIT.  
 ソルダーテール半田付け面及び金具半田付け面のズレ量は、  
 基準面 [F] に対し、上方向 0.1 MAX.  
 下方向 0.15 MAX. とする。  
 MISALIGNMENT OF SOLDER TAILS AND FITTING NAILS  
 FROM [F] : UPPER DIRECTION 0.1 MAX.  
 : LOWER DIRECTION 0.15 MAX.
- 本製品は 52976-\*\*40 の鉛フリー (部分金メッキ) 品である。  
 THIS PRODUCT IS LEAD FREE OF 52976-\*\*40 (SELECTIVE GOLD).
- ソルダーテールの平坦度は 0.1 MAXIMUM とする。  
 SOLDER TAIL COPLANARITY IS 0.1 MAXIMUM.

18.5	15.5	14.5	52976-3062	52976-3047	30
15.5	12.5	11.5	-2462	-2447	24
14.0	11.0	10.0	-2162	-2147	21
13.0	10.0	9.0	-1962	-1947	19
12.5	9.5	8.5	-1862	-1847	18
12.0	9.0	8.0	-1762	-1747	17
11.5	8.5	7.5	-1662	-1647	16
11.0	8.0	7.0	-1562	-1547	15
10.5	7.5	6.5	-1462	-1447	14
9.5	6.5	5.5	-1262	-1247	12
8.5	5.5	4.5	-1062	-1047	10
8.0	5.0	4.0	-0962	-0947	9
7.5	4.5	3.5	-0862	-0847	8
6.5	3.5	2.5	52976-0662	52976-0647	6

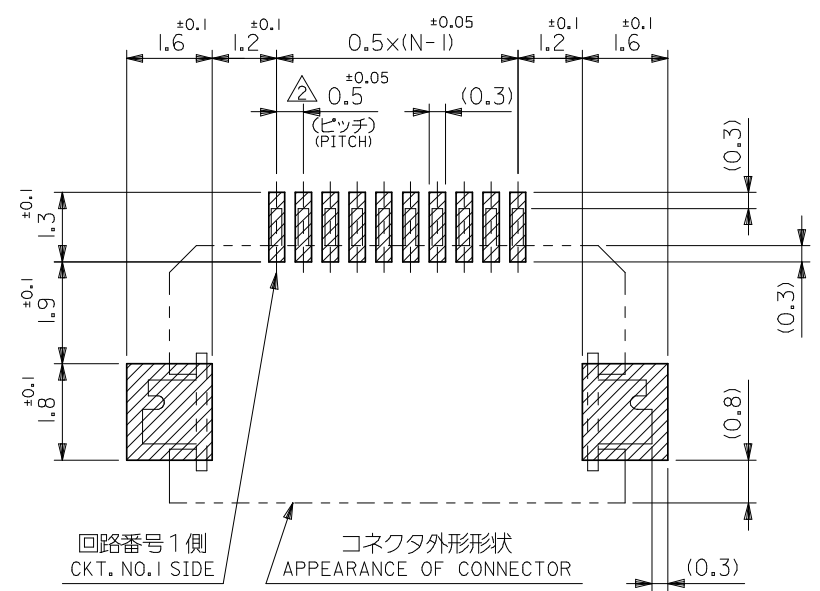
REVISED EC NO: J2009-0003 DRWN: MNABEI 2008/07/08 CHKD: THARYAMA 2008/07/09 APPR: NUKITA 2008/07/09	52976-**47 MODEL NO.		DIMENSION STYLE <b>MM ONLY</b>		SCALE ---	DESIGN UNITS METRIC	THIRD ANGLE PROJECTION
	GENERAL TOLERANCES (UNLESS SPECIFIED)		DRAWN BY MNABEI	DATE '04/08/17	TITLE <b>0.5 FFC/FPC CONN NON-ZIF          HSG ASSY(BOTTOM CONTACT)          -LEAD FREE-</b>		
	10 UNDER ±0.2	10 OVER 30 UNDER ±0.25	CHECKED BY KTOJO	DATE '04/08/17	MOLEX INCORPORATED		
	30 OVER ±0.3	ANGULAR ±3 °	APPROVED BY NUKITA	DATE '04/08/17	MATERIAL NO.	DOCUMENT NO. SD-52976-012	SHEET NO. 1 OF 2
	DRAFT WHERE APPLICABLE MUST REMAIN WITHIN DIMENSIONS		SEE TABLE		THIS DRAWING CONTAINS INFORMATION THAT IS PROPRIETARY TO MOLEX INCORPORATED AND SHOULD NOT BE USED WITHOUT WRITTEN PERMISSION		



適合FPC推奨寸法  
 APPLICABLE FPC  
 RECOMMENDED DIMENSION  
 (仕上がり厚さ: 0.3±0.03)  
 (THICKNESS : 0.3±0.03)



適合FFC推奨寸法  
 APPLICABLE FFC  
 RECOMMENDED DIMENSION  
 (仕上がり厚さ: 0.3±0.03)  
 (THICKNESS : 0.3±0.03)



参考基板レイアウト  
 REFERENCE P.C.BOARD  
 PATTERN DIMENSION  
 (マウント面)  
 (MOUNTING SIDE)

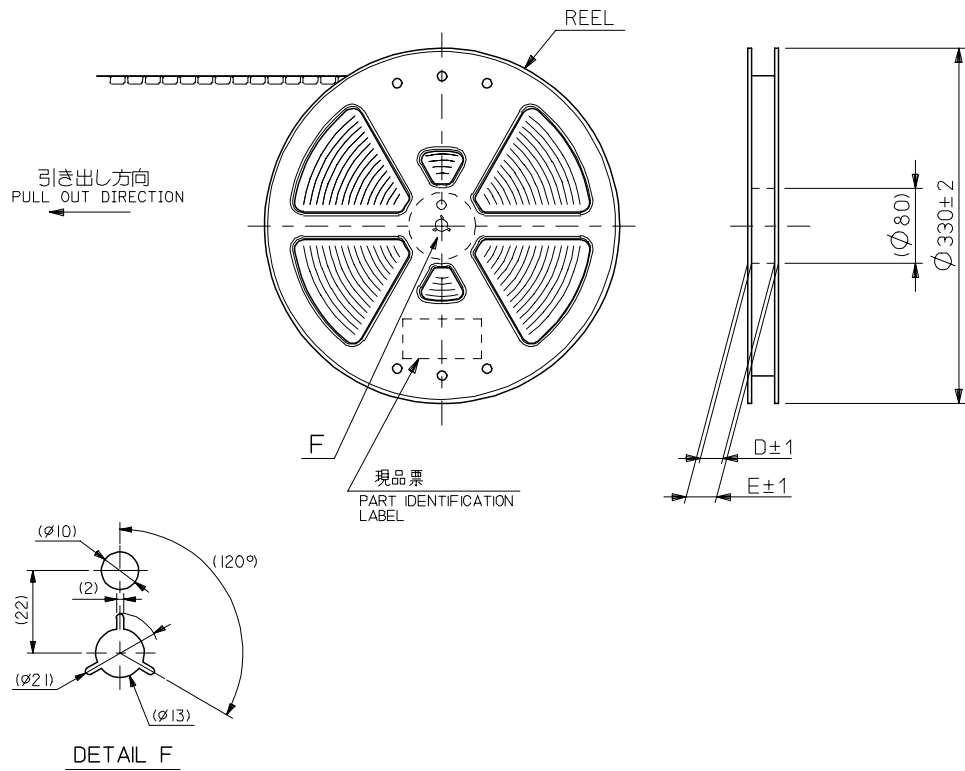
注記 NOTES

- △ R0.3 は、FPCの導体部にかからないこと。  
R0.3 MUST NOT BE OVERLAPPED TO PATTERN OF FPC.
- △ 公差非累積のこと。  
NON-ACCUMULATIVE.
- 3. FPCについて:  
打抜き方向は導体側から補強板を推奨致します。  
補強フィルム材質はポリイミドを推奨致します。  
接着剤は熱硬化接着剤を推奨致します。

ABOUT FPC:  
 RECOMMENDED PUNCHER DIRECTION : FROM CONDUCTOR SIDE TO STIFFENER BOARD SIDE.  
 RECOMMENDED MATERIAL :  
 STIFFENER FILM : POLYIMIDE  
 BONDING AGENT : THERMOSETTING BONDING AGENT

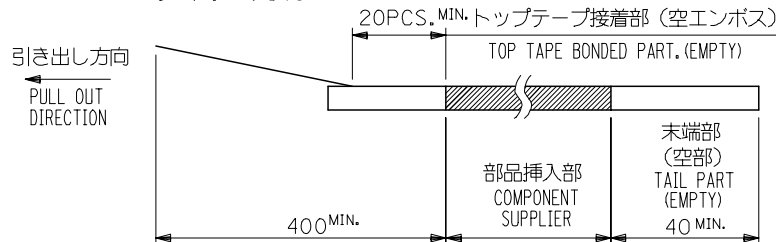
52976-\*\*-47 MODEL NO.

REVISED EC NO: J2009-0003 DRWN:MNABE 2008/07/08 CHKD:THARUYAMA 2008/07/09 APPR:NUKITA 2008/07/09	GENERAL TOLERANCES (UNLESS SPECIFIED)		DIMENSION STYLE MM ONLY		SCALE ---	DESIGN UNITS METRIC	THIRD ANGLE PROJECTION
	10 UNDER	±0.2	DRAWN BY MNABE1	DATE '04/08/17	TITLE 0.5 FFC/FPC CONN NON-ZIF HSG ASSY(BOTTOM CONTACT) -LEAD FREE-		
	10 OVER 30 UNDER	±0.25	CHECKED BY KTOJO	DATE '04/08/17	MOLEX INCORPORATED		
	30 OVER	±0.3	APPROVED BY NUKITA	DATE '04/08/17	DOCUMENT NO. SD-52976-012		
	ANGULAR ±3°		MATERIAL NO. SEE SHEET 1		SHEET NO. 2 OF 2		
DRAFT WHERE APPLICABLE MUST REMAIN WITHIN DIMENSIONS		THIS DRAWING CONTAINS INFORMATION THAT IS PROPRIETARY TO MOLEX INCORPORATED AND SHOULD NOT BE USED WITHOUT WRITTEN PERMISSION					

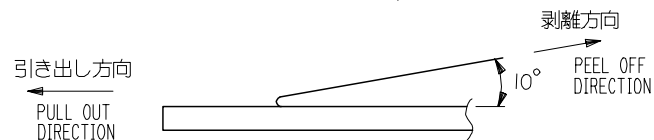


NOTES

- 梱包数量：1000個/リール  
NUMBER OF CONNECTORS : 1000PCS/REEL
- リードテープ長さ LEAD TAPE LENGTH



- トップテープの剥離強度：0.1N ~ 1.3N (10gf ~ 130gf)  
(剥離方向は下図参照)  
尚、本規格値は出荷時に適用。(但し、輸送時に剥離が発生しないこと。)  
PEELING OFF FORCE OF TOP TAPE : 0.1N ~ 1.3N (10gf ~ 130gf)  
(PEELING DIRECTION AS SHOWN IN FOLLOWING FIG.)  
THIS REQUIREMENT SHOULD BE APPLIED AT SHIPMENT.  
PEEL OFF SHOULD NOT BE ALLOWED, DURING TRANSPORTATION.



- 材料  
キャリアテープ：ポリプロピレン (PP)  
トップテープ：PET, PE, PEF  
リール：ポリスチレン (PS) <リサイクル材を含む>  
MATERIAL CARRIER TAPE: POLYPROPYLENE  
TOP TAPE: PET, PE, PEF  
REEL: POLYSTYRENE (PS)  
<RECYCLE MATERIAL CONTAINED>

- 本製品は 52976-\*\*-92 の鉛フリー (部分金メッキ) 品である。  
THIS PRODUCT IS LEAD FREE OF 52976-\*\*-92 (SELECTIVE GOLD).

52976-\*\*-62 MODEL NO.

REVISED EC NO: J2008-1372 DRW: HAYASHI 2007/10/23 CHKD: THARUYAMA 2007/10/23 APPR: NUKITA 2007/10/23	GENERAL TOLERANCES (UNLESS SPECIFIED)		DIMENSION STYLE MM ONLY		SCALE ---	DESIGN UNITS METRIC	THIRD ANGLE PROJECTION	
	10 UNDER	± 0.2	DRAWN BY MNABE I	DATE '04/08/17	TITLE 0.5 FPC CONN NON ZIF HSG ASSY BTM CONT EMBSTP PKG -LEAD FREE-			
	10 OVER 30 UNDER	± 0.25	CHECKED BY KTOJO	DATE '04/08/17				
	30 OVER	± 0.3	APPROVED BY NUKITA	DATE '04/08/17	MOLEX INCORPORATED			
	ANGULAR	± 3 °	MATERIAL NO. SEE SHEET 2					
DRAFT WHERE APPLICABLE MUST REMAIN WITHIN DIMENSIONS		THIS DRAWING CONTAINS INFORMATION THAT IS PROPRIETARY TO MOLEX INCORPORATED AND SHOULD NOT BE USED WITHOUT WRITTEN PERMISSION						

10 9 8 7 6 5 4 3 2 1

F

E

D

C

B

A

F

E

D

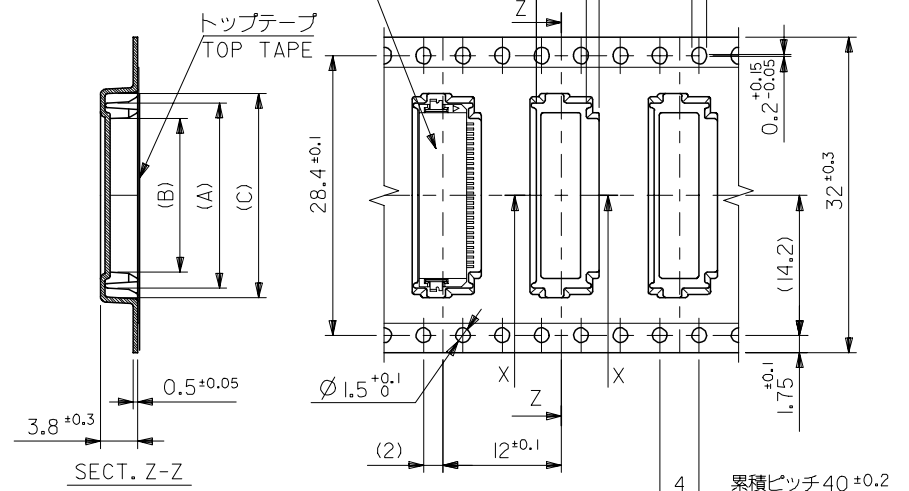
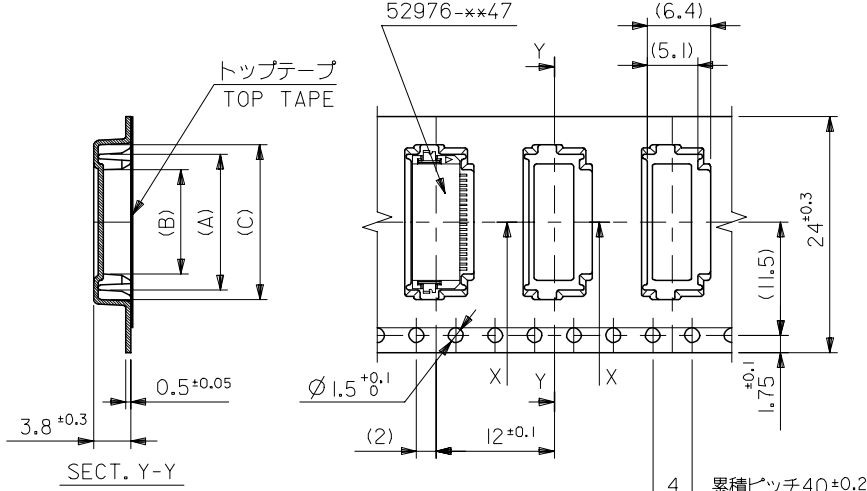
C

B

A

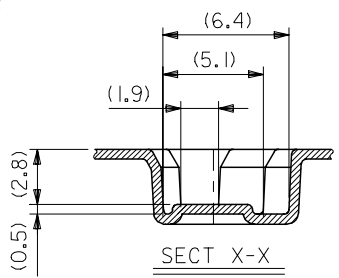
引き出し方向  
PULL OUT DIRECTION

引き出し方向  
PULL OUT DIRECTION



24mm 幅 キャリアテープ  
24mm WIDTH CARRIER TAPE

32mm 幅 キャリアテープ  
32mm WIDTH CARRIER TAPE



32	37.4	33.4	20.7	15.6	18.8	52976-3062	30
			17.7	12.6	15.8	52976-2462	24
24	29.4	25.4	16.2	11.1	14.3	52976-2162	21
			15.2	10.1	13.3	52976-1962	19
			14.7	9.6	12.8	52976-1862	18
			14.2	9.1	12.3	52976-1762	17
			13.7	8.6	11.8	52976-1662	16
			13.2	8.1	11.3	52976-1562	15
			12.7	7.6	10.8	52976-1462	14
			11.7	6.6	9.8	52976-1262	12
			10.7	5.6	8.8	52976-1062	10
			10.2	5.1	8.3	52976-0962	9
	9.7	4.6	7.8	52976-0862	8		
	8.7	3.6	6.8	52976-0662	6		
			(C)	(B)	(A)	MATERIAL. NO.	極数 CKT.

REVISED EC NO: J2008-1372 DRW: HAJIMA 2007/10/23 CHKD: THARUYAMA 2007/10/23 APPR: NUKITA 2007/10/23	GENERAL TOLERANCES (UNLESS SPECIFIED)		DIMENSION STYLE MM ONLY	SCALE ---	DESIGN UNITS METRIC	THIRD ANGLE PROJECTION
	10 UNDER	±0.2	DRAWN BY MNABEI	DATE '04/08/17	TITLE 0.5 FPC CONN NON ZIF HSG ASSY BTM CONT EMBSTP PKG -LEAD FREE-	
	10 OVER 30 UNDER	±0.25	CHECKED BY KTOJO	DATE '04/08/17	MOLEX INCORPORATED	
	30 OVER	±0.3	APPROVED BY NUKITA	DATE '04/08/17	DOCUMENT NO. SD-52976-013	
	ANGULAR	±3 °	MATERIAL NO. SEE CHART	DOCUMENT NO. SD-52976-013	SHEET NO. 2 OF 2	
	DRAFT WHERE APPLICABLE MUST REMAIN WITHIN DIMENSIONS		THIS DRAWING CONTAINS INFORMATION THAT IS PROPRIETARY TO MOLEX INCORPORATED AND SHOULD NOT BE USED WITHOUT WRITTEN PERMISSION			