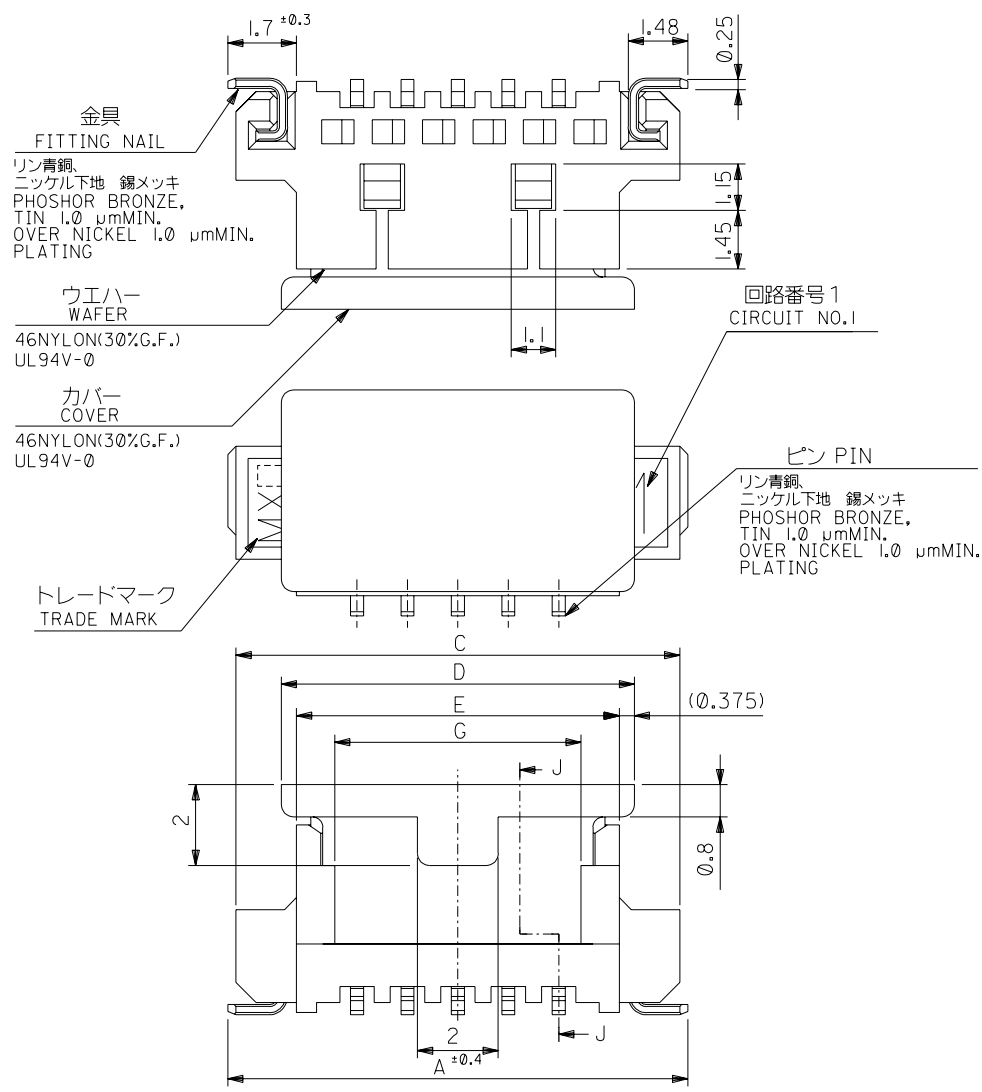
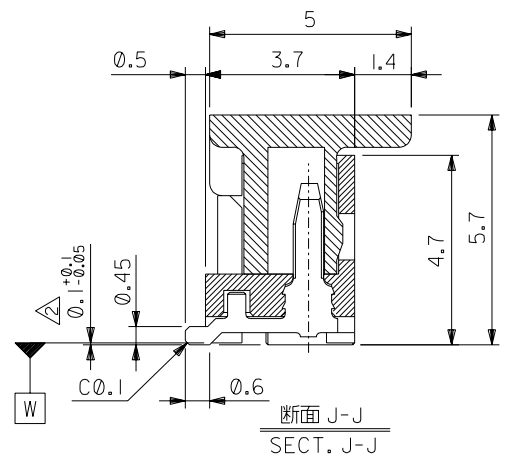


DWG. NO.
SD-53398-034



NOTES

1. 嵌合相手: 51021シリーズ MATE WITH: 51021 SERIES
2. 水平面上においての、ウエハー底面 W とソルダーテール及びフィッティングネイル底面とのズレ量を示す。 MISALIGNMENT OF SOLDER TAIL & FITTING NAIL FROM W
3. 偶数極のみ適用。APPLY EVEN CIRCUIT PRODUCTS.
4. 本製品は 53398-**20 の鉛フリー品である。 THIS PRODUCT IS LEAD FREE OF 53398-**20.



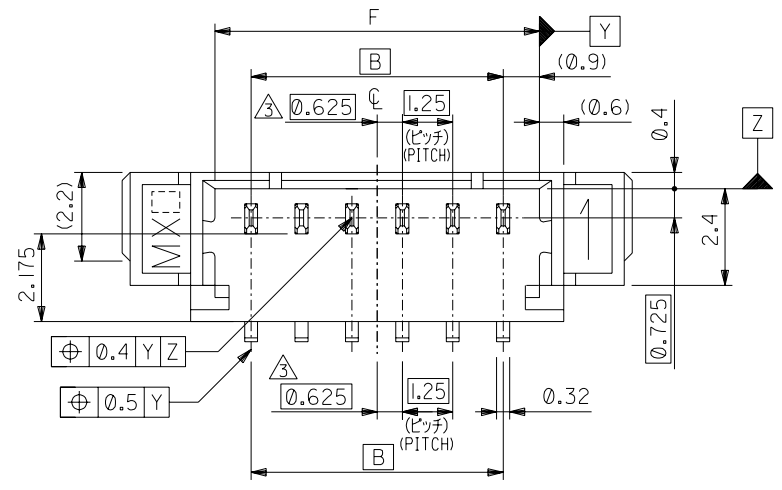
17.35	18.05	19.25	20	22.25	16.25	22.3	53398-1429	14
14.85	15.55	16.75	17.5	19.75	13.75	20.15	53398-1229	12
9.85	10.55	11.75	12.5	14.75	8.75	15.15	53398-0829	8
8.6	9.3	10.5	11.25	13.5	7.5	13.9	53398-0729	7
7.35	8.05	9.25	10	12.25	6.25	12.65	53398-0629	6
6.1	6.8	8	8.75	11	5	11.4	53398-0529	5
4.85	5.55	6.75	7.5	9.75	3.75	10.15	53398-0429	4
3.6	4.3	5.5	6.25	8.5	2.5	8.9	53398-0329	3
2.35	3.05	4.25	5	7.25	1.25	7.65	53398-0229	2
G	F	E	D	C	B	A	MATERIAL NO.	CIRCUITS

DO NOT SCALE DRAWING

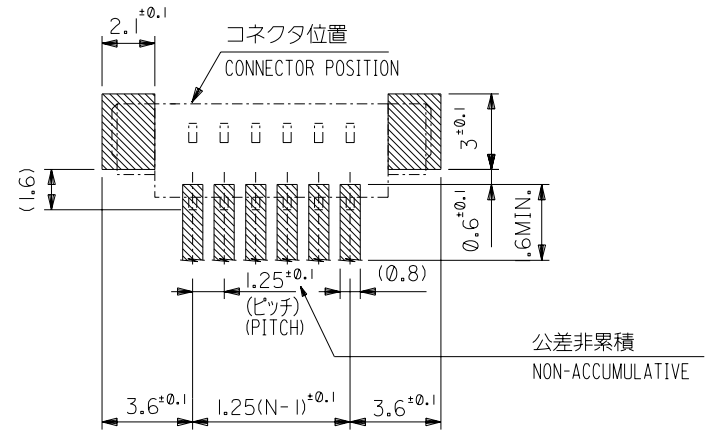
EC NO. DRWN: CHK: APPR:	EC NO. DRWN: CHK: APPR:	EC NO. DRWN: CHK: APPR:	EC NO. DRWN: CHK: APPR:	EC NO. DRWN: CHK: APPR:	EC NO. J2004-2404 DRWN: Y.SAKIYAMA CHK: M.SASAO APPR: M.SASAO RELEASED '04/02/12	MATERIAL 材料 SEE DRAWING	GENERAL TOLERANCES: (UNLESS SPECIFIED) 一般公差 10 UNDER 未満 ±0.2 10 OVER 30 UNDER 未満 ±0.25 30 OVER 以上 ±0.3 ANGLE 角度 ±3°	SCALE DESIGN UNITS <input checked="" type="checkbox"/> mm <input type="checkbox"/> INCH DRAWN BY & DATE Y.SAKIYAMA '04/02/12 CHECKED BY & DATE M.SASAO '04/02/12 APPROVED BY & DATE M.SASAO '04/02/12	MODEL NO. 53398-**29 DIMENSIONS: <input type="checkbox"/> mm <input type="checkbox"/> INCH <input checked="" type="checkbox"/> mm ONLY THIRD ANGLE PROJECTION SHT REV REVISION ON CAD ONLY	TITLE: 1.25 WIRE TO BOARD CONN. WAFER ASS'Y FOR SMT (ST.) WITH COVER -LEAD FREE- MOLEX MOLEX INCORPORATED	CAD FILENAME SD-53398-034.S01 MATERIAL NO. SEE CHART DRAWING NO. SD-53398-034 SHEET NO. 1 OF 2	THIS DRAWING CONTAINS INFORMATION THAT IS PROPRIETARY TO MOLEX INCORPORATED AND SHOULD NOT BE USED WITHOUT WRITTEN PERMISSION. SIZE B
----------------------------------	----------------------------------	----------------------------------	----------------------------------	----------------------------------	--	----------------------------	---	---	---	--	---	--

SD-53398-034.S01

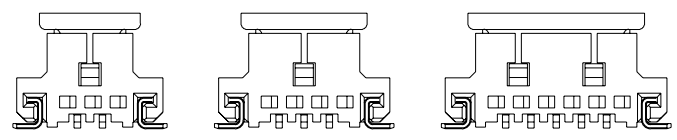
8 7 6 5 4 3 2 1



カバーなしの場合 (53398-**19)
IN CASE OF WITHOUT COVER



参考基板レイアウト
RECOMMENDED P.C.BOARD PATTERN DIM.(REF.)



ロック形状図
LOCK CONFIGURATION

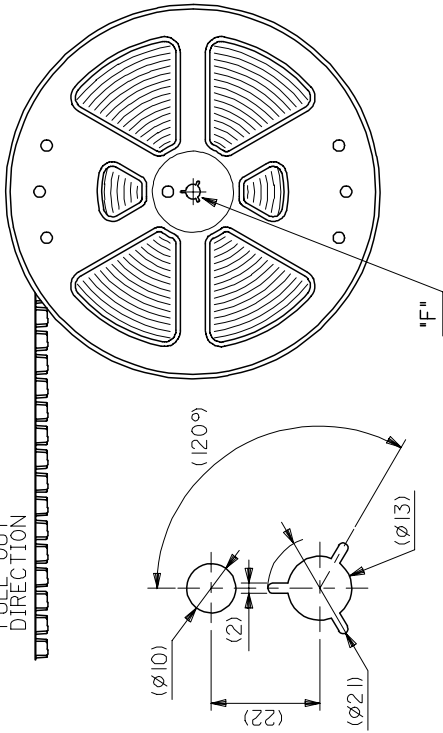
NOTES

△ ロック窓は、2、3極は1ヶ所、4極以上は2ヶ所とする。
LOCKING WINDOW : ONE PLACE FOR 2&3 CKTS.
TWO PLACES FOR MORE THAN 4 CKTS.

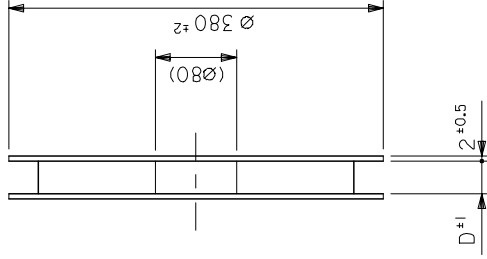
EC NO. DRWN: CHK: APPR:	EC NO. DRWN: CHK: APPR:	EC NO. DRWN: CHK: APPR:	EC NO. DRWN: CHK: APPR:	EC NO. DRWN: CHK: APPR:	RELEASED '04/02/12 EC NO. J2004-2404 DRWN: Y.SAKIYAMA CHK: M.SASAO APPR: M.SASAO	DESCRIPTION	MATERIAL 材料	GENERAL TOLERANCES: (UNLESS SPECIFIED) 一般公差	SCALE	MODEL NO.	53398-**29	DIMENSIONS:	SHT	REV
							SEE NOTES	10 UNDER 未満	10 OVER 以上 30 UNDER 未満	30 OVER 以上	DRAWN BY & DATE Y.SAKIYAMA '04/02/12	DESIGN UNITS mm □ INCH	THIRD ANGLE PROJECTION	mm □ INCH
FINISH 仕上げ							WIRE RANGE 適用電線範囲	ANGLE 角度	APPROVED BY & DATE M.SASAO '04/02/12	TITLE: 1.25 WIRE TO BOARD CONN. WAFER ASS'Y FOR SMT (ST.) WITH COVER -LEAD FREE-		MATERIAL NO. DRAWING NO.		
INS. RANGE 被覆外径							ANGLE 角度	CAD FILENAME SD-53398-034.S02	MATERIAL NO. DRAWING NO.		SD-53398-034		SHEET NO. 2 OF 2	
THIS DRAWING CONTAINS INFORMATION THAT IS PROPRIETARY TO MOLEX INCORPORATED AND SHOULD NOT BE USED WITHOUT WRITTEN PERMISSION.										SIZE B		EN-02J(097) MXJ-54		

8 7 6 5 4 3 2 1

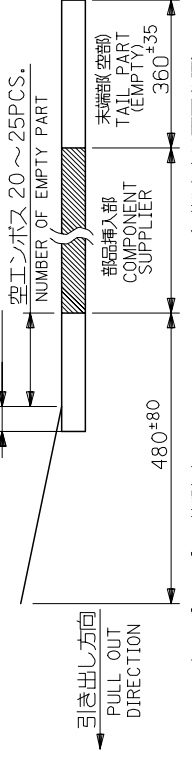
引き出し方向
PULL OUT
DIRECTION



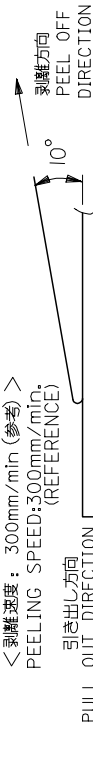
DETAIL "F"



- NOTES
- 梱包数量: 1000個/リール
NUMBER OF CONNECTOR: 1000PCS/REEL
トップテープ未接合部
TOP TAPE NON-BONDED PART
LEAD TAPE LENGTH 25±10
 - リードテープ長さ
TOP TAPE NON-BONDED PART
LEAD TAPE LENGTH 25±10



- トップテープの剥離強度: 0.6±0.35N(60±35gf) (剥離方向は下図参照)
PEELING OFF FORCE OF TOP TAPE: 0.6±0.35N(60±35gf)
(PEELING DIRECTION IS SHOWN IN FOLLOWING FIG.)
<剥離速度: 300mm/min(参考)>
PEELING SPEED: 300mm/min (REFERENCE)

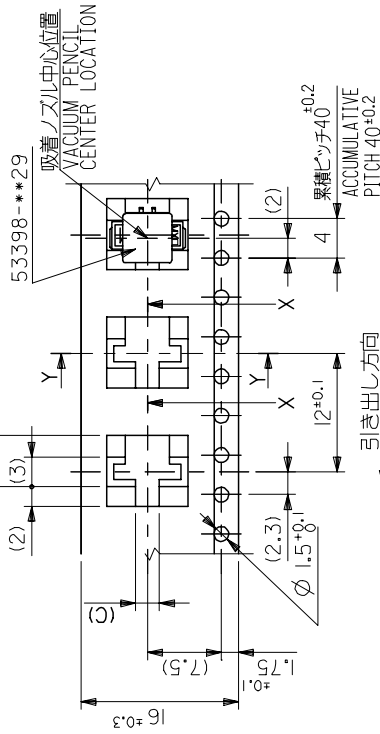


- 53398-***29の詳細寸法については図面 SD-53398-034 を参照下さい。
RE DETAILED DIMENSIONS, SEE SD-53398-034.

5. 材料 (MATERIAL)

キャリアテープ (CARRIER TAPE): ポリプロピレン (POLYPROPYLENE)
トップテープ (TOP TAPE): PET, PE, PEF
リール (REEL): ポリスチレン (PS) <リサイクル材含む>
POLYSTYRENE (PS) <RECYCLE MATERIAL CONTAINED>

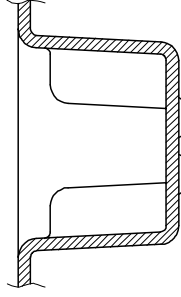
- 本製品は 53398-***80 の鉛フリー品である。
THIS PRODUCT IS LEAD FREE OF 53398-***80.



引き出し方向
PULL OUT DIRECTION

16幅テープ
(TAPE WIDTH: 16)

SECT: X-X



SECT: Y-Y

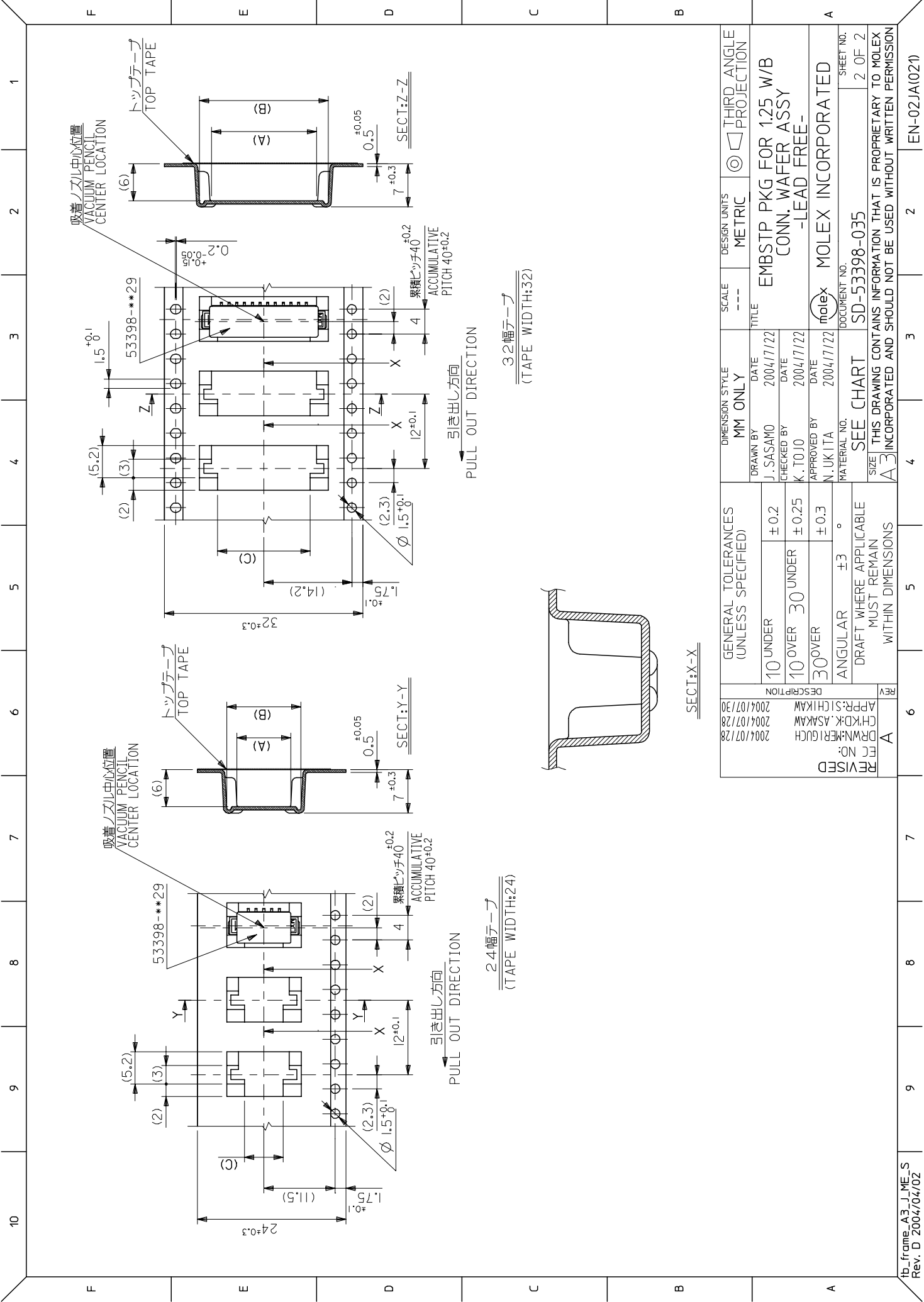
DIMENSION STYLE	SCALE				DESIGN UNITS	THIRD ANGLE PROJECTION
	MM ONLY	---	---	---		
32	33.4	14.95	20.75	17.05	53398-1267	12
24	25.4	9.95	15.75	12.05	53398-0867	8
		8.7	14.5	10.8	53398-0767	7
		7.45	13.25	9.55	53398-0667	6
		6.2	12	8.3	53398-0567	5
		4.95	10.75	7.05	53398-0467	4
16	17.4	3.7	9.5	5.8	53398-0367	3
		2.45	8.25	4.55	53398-0267	2
キャリアテープ幅 CARRIER TAPE WIDTH	D	(C)	(B)	(A)	MATERIAL NO.	CIRCUITS

GENERAL TOLERANCES
(UNLESS SPECIFIED)

10 UNDER	±0.2
10 OVER	±0.25
30 OVER	±0.3
ANGULAR	±3°
DRAFT WHERE APPLICABLE MUST REMAIN WITHIN DIMENSIONS	

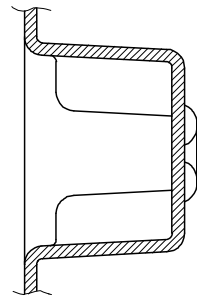
REV	DESCRIPTION
A	REVISED
	EC NO. DRW: N: K: ER1: GUCH
	CHK: K: ASAKAWA 2004/07/28
	APP: S: ICHIKAWA 2004/07/30

DRAWN BY	DATE	TITLE	SCALE	DESIGN UNITS	THIRD ANGLE PROJECTION
J. SASAWA	2004/11/22	EMBSTP PKG FOR 1.25 W/B CONN. WAFER ASSY -LEAD FREE-	---	METRIC	◎
CHECKED BY	DATE				
K. TOJO	2004/11/22				
APPROVED BY	DATE				
N. UKITA	2004/11/22				
MATERIAL NO.	DOCUMENT NO.				
SEE CHART	SD-53398-035				
SHEET NO.		MOLEX INCORPORATED			
1 OF 2					



引き出し方向
PULL OUT DIRECTION

32幅テープ
(TAPE WIDTH:32)



SECT: X-X

引き出し方向
PULL OUT DIRECTION

24幅テープ
(TAPE WIDTH:24)

GENERAL TOLERANCES (UNLESS SPECIFIED)		DIMENSION STYLE MM ONLY		SCALE ---	DESIGN UNITS METRIC	THIRD ANGLE PROJECTION
10 UNDER	± 0.2	DRAWN BY J. SASAMO	DATE 2004/7/22	TITLE EMBSTP PKG FOR 1.25 W/B CONN. WAFER ASSY -LEAD FREE-		
10 OVER	30 UNDER	CHECKED BY K. TOJO	DATE 2004/7/22	DOCUMENT NO. MOLEX INCORPORATED		
30 OVER		APPROVED BY N. UKITA	DATE 2004/7/22	SHEET NO. 2 OF 2		
ANGULAR	± 3 °	MATERIAL NO. SEE CHART		SD-53398-035		
DRAFT WHERE APPLICABLE MUST REMAIN WITHIN DIMENSIONS						
REVISED	EC NO.	SIZE THIS DRAWING CONTAINS INFORMATION THAT IS PROPRIETARY TO MOLEX A3 INCORPORATED AND SHOULD NOT BE USED WITHOUT WRITTEN PERMISSION				
DESCRIPTION	REV					
2004/07/28 DRWN:MERI GUCH	A					
2004/07/28 CHKD:K. ASAKAW						
2004/07/30 APPR:SI CHIKAW						