

MATERIALS & FINISHES

BODY: BRASS
PLATED GOLD

CONTACT: BRASS
PLATED GOLD

INSULATOR: TEFLON

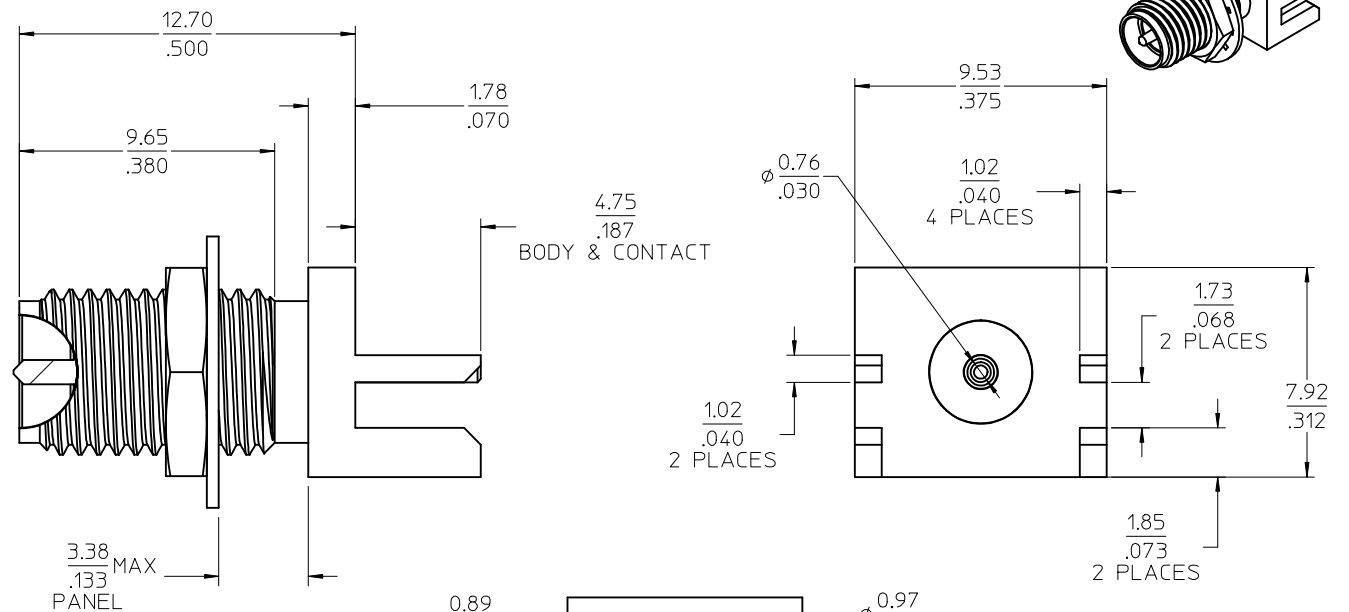
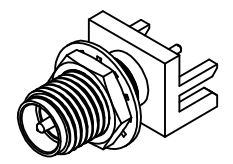
JAM NUT: BRASS
PLATED GOLD

LOCK WASHER: PHOSPHOR BRONZE
PLATED GOLD

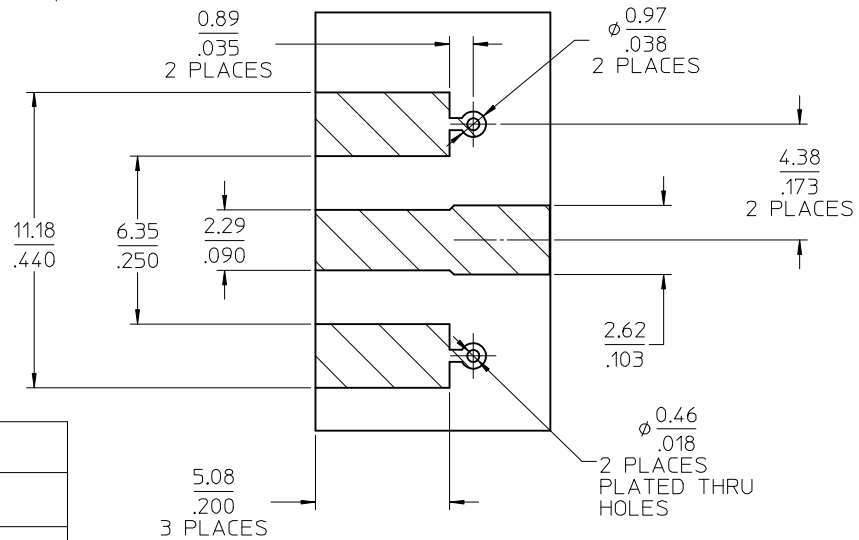
HARDWARE:

JAM NUT: 7.877/.310 HEX X 1.55/.061

LOCK WASHER: $\phi 10.26/1.404$ X $\phi 6.65/1.262$ X $.46/0.018$



PCB LAYOUT:
BOARD THICKNESS IS 1.57/.062



73251-1041 NOT INCLUDED

73251-1040 INCLUDED

PART NO. HARDWARE

CHG: ADD -1041
REMOVE REF FROM
DIMENSIONS

EC NO: URF2010-0224
2009/10/14
DRWN: JWIENER
2009/10/14
CHKD: SSHAH
2009/10/14
APPR: JWIENER
2009/10/14

QUALITY SYMBOLS
▽=0
▽=0

GENERAL TOLERANCES (UNLESS SPECIFIED)

	mm	INCH
4 PLACES	± .005	± .0002
3 PLACES	± .008	± .0003
2 PLACES	± .010	± .0004
1 PLACE	± .015	± .0006

ANGULAR ± 2°

DRAFT WHERE APPLICABLE
MUST REMAIN
WITHIN DIMENSIONS

DIMENSION STYLE
MM/IN

DRAWN BY DATE
AZR 2004/12/01

CHECKED BY DATE
SSS 2004/12/01

APPROVED BY DATE
JDW 2004/12/01

MATERIAL NO.
SEE TABLE

SIZE
C

SCALE
DESIGN UNITS
METRIC

THIRD ANGLE PROJECTION

TITLE
SMA, JACK REV POLAR
EDGEMOUNT FOR .062 PCB
SMA-J/PCB

MOLEX MOLEX INCORPORATED

DOCUMENT NO.
SD-73251-104

SHEET NO.
1 OF 1

THIS DRAWING CONTAINS INFORMATION THAT IS PROPRIETARY TO MOLEX
INCORPORATED AND SHOULD NOT BE USED WITHOUT WRITTEN PERMISSION