

MATERIALS AND FINISHES:

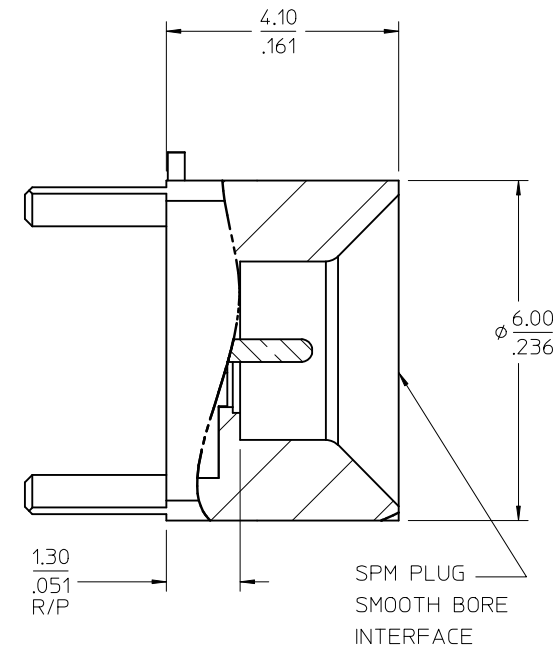
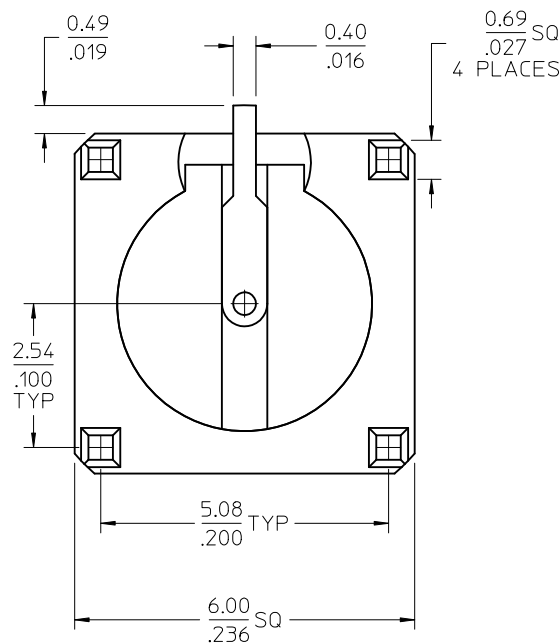
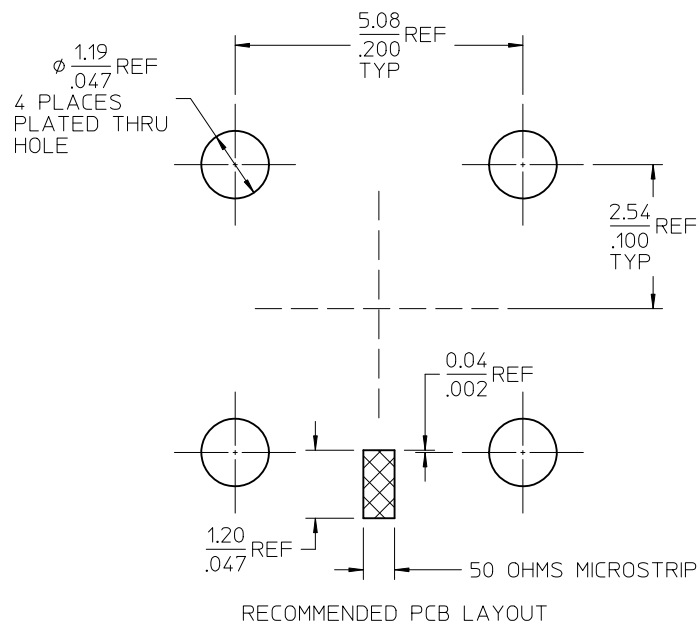
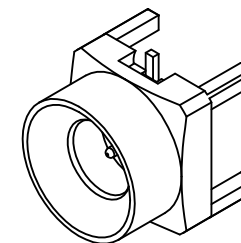
BODY BRASS  
PLATED GOLD

CONTACT BRASS  
PLATED GOLD

INSULATOR: PEEK OR LCP

TAPE: SEE SHEET 2

REEL: SEE SHEET 3



73415-3322	SINGLE PIECE PER BAG
73415-3321	TAPE & REEL WITH KAPTON TAPE
73415-3320	TAPE & REEL
PART NO.	DESCRIPTION

CHG: UPDATE PCB LAYOUT		EC NO: URF2011-0274	2010/11/11
DRWN: JWIENER	2010/11/11	CHKD: SSS	2010/11/11
APPR: JWIENER	2010/11/11	REV	DESCRIPTION
5			

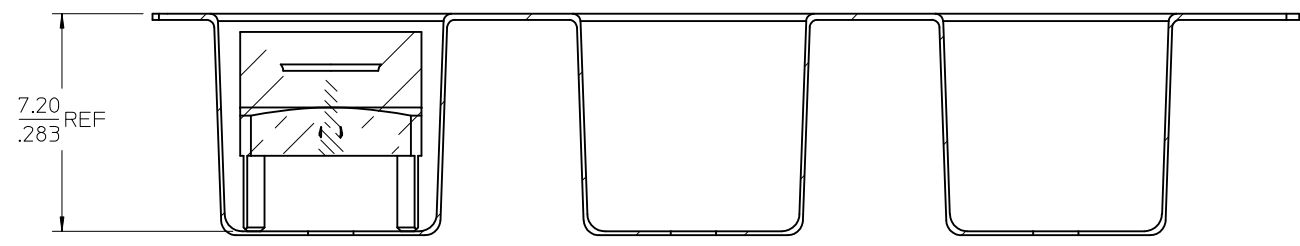
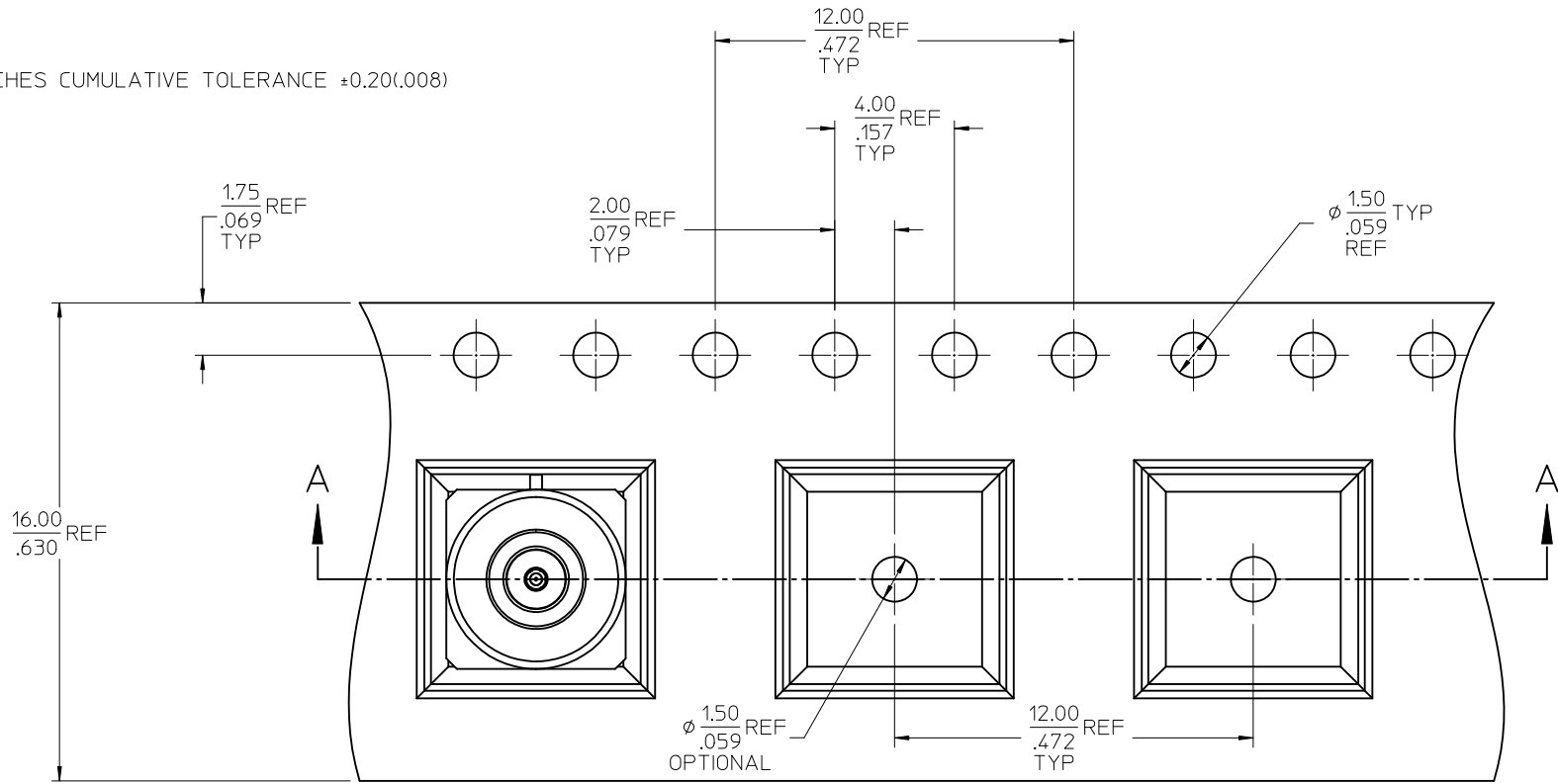
QUALITY SYMBOLS	GENERAL TOLERANCES (UNLESS SPECIFIED)														
$\nabla=0$ $\nabla=0$	<table border="1"> <tr> <th colspan="2">DIMENSION STYLE</th> </tr> <tr> <th>mm</th> <th>INCH</th> </tr> <tr> <td>4 PLACES ± .005</td> <td>± .0005</td> </tr> <tr> <td>3 PLACES ± .005</td> <td>± .0005</td> </tr> <tr> <td>2 PLACES ± .005</td> <td>± .0005</td> </tr> <tr> <td>1 PLACE ± .005</td> <td>± .0005</td> </tr> <tr> <td colspan="2">ANGULAR ± 2°</td> </tr> </table>	DIMENSION STYLE		mm	INCH	4 PLACES ± .005	± .0005	3 PLACES ± .005	± .0005	2 PLACES ± .005	± .0005	1 PLACE ± .005	± .0005	ANGULAR ± 2°	
DIMENSION STYLE															
mm	INCH														
4 PLACES ± .005	± .0005														
3 PLACES ± .005	± .0005														
2 PLACES ± .005	± .0005														
1 PLACE ± .005	± .0005														
ANGULAR ± 2°															

DRAWN BY DATE		TITLE	
TEF	2001/05/21	SMP PLUG, STRAIGHT PCB SMOOTH BORE SMP-P/PCB EWR-1349	
CHECKED BY DATE		APPROVED BY DATE	
SSS	2001/05/21	JWIENER	2010/11/11
MATERIAL NO.		DOCUMENT NO.	
SEE TABLE		SD-73415-332	

SCALE	DESIGN UNITS	THIRD ANGLE PROJECTION
	METRIC	

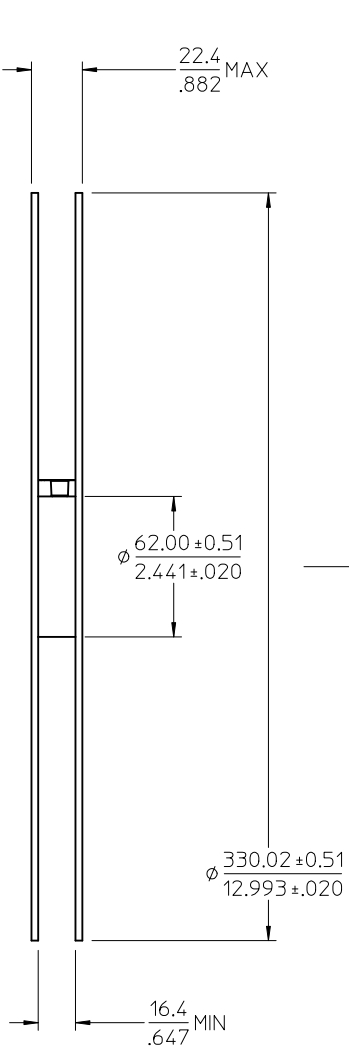
MOLEX INCORPORATED		SHEET NO.
		1 OF 3
THIS DRAWING CONTAINS INFORMATION THAT IS PROPRIETARY TO MOLEX INCORPORATED AND SHOULD NOT BE USED WITHOUT WRITTEN PERMISSION		

NOTE:  
1. 10 PITCHES CUMULATIVE TOLERANCE ±0.20(.008)

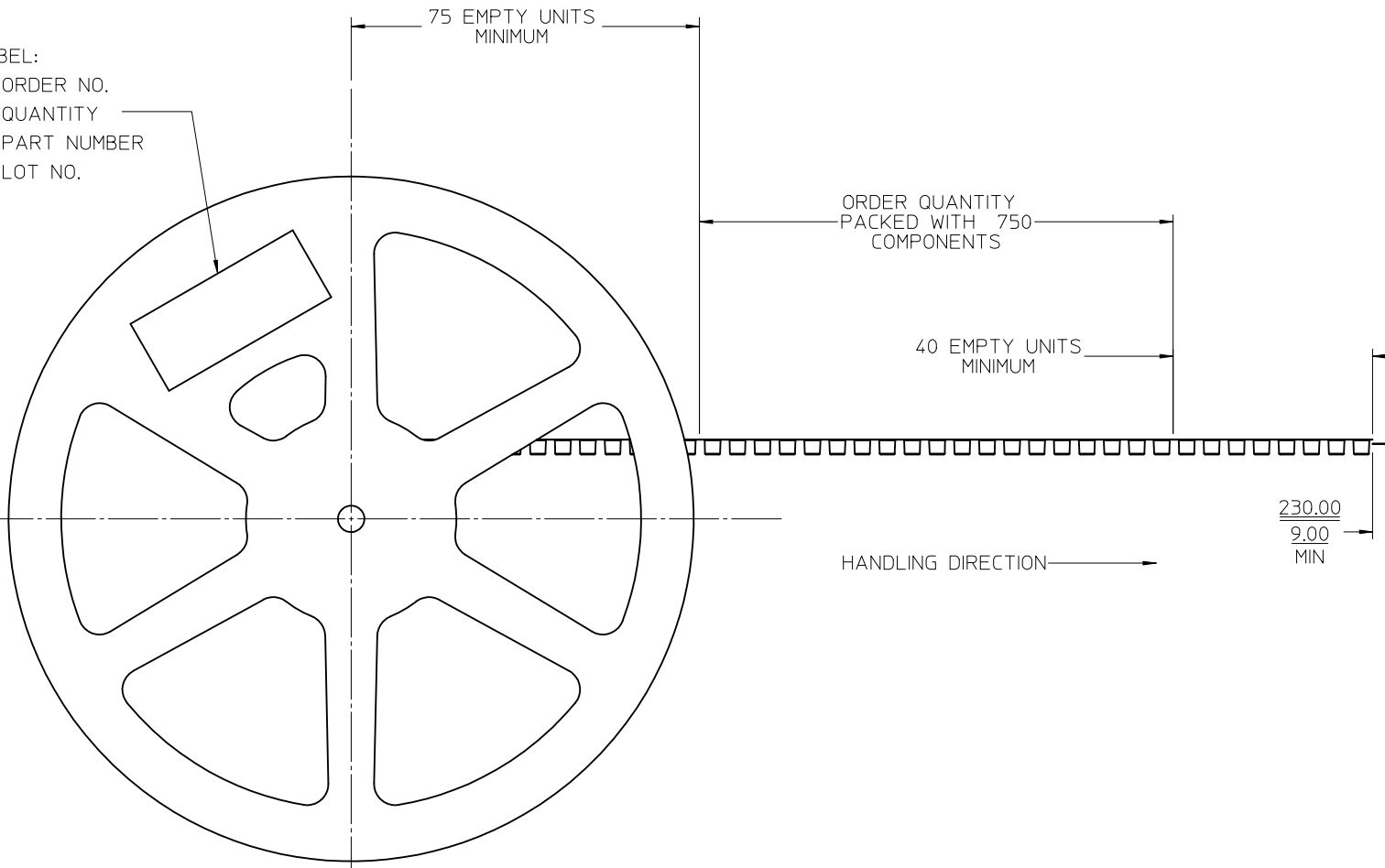


SECTION A-A

CHG: SEE SHEET 1 EC NO: URF2011-0274 DRWN: JWIENER 2010/11/11 CHKD: SSS 2010/11/11 APPR: JWIENER 2010/11/11	QUALITY SYMBOLS ▽=0 ▽=0	GENERAL TOLERANCES (UNLESS SPECIFIED)		DIMENSION STYLE <b>MM/IN</b>	SCALE	DESIGN UNITS <b>METRIC</b>	THIRD ANGLE PROJECTION
		4 PLACES ± --- ± --- 3 PLACES ± --- ± --- 2 PLACES ± --- ± --- 1 PLACE ± --- ± ---	mm INCH ± --- ± --- ± --- ± --- ± --- ± --- ± --- ± ---	DRAWN BY TEF	DATE 2001/05/21	TITLE <b>SMP PLUG, STRAIGHT PCB SMOOTH BORE SMP-P/PCB EWR-1349</b>	
		APPROVED BY JWIENER		DATE 2010/11/11	MOLEX INCORPORATED		
		MATERIAL NO. <b>SEE TABLE</b>		DOCUMENT NO. <b>SD-73415-332</b>	SHEET NO. <b>2 OF 3</b>		
DRAFT WHERE APPLICABLE MUST REMAIN WITHIN DIMENSIONS		THIS DRAWING CONTAINS INFORMATION THAT IS PROPRIETARY TO MOLEX INCORPORATED AND SHOULD NOT BE USED WITHOUT WRITTEN PERMISSION					



LABEL:  
 - ORDER NO.  
 - QUANTITY  
 - PART NUMBER  
 - LOT NO.



CHG: SEE SHEET 1	2010/11/11	
EC NO: URF2011-0274	2010/11/11	
DRWN: JWIENER	2010/11/11	
CHKD: SSS	2010/11/11	
APPR: JWIENER	2010/11/11	
REV	DESCRIPTION	
5		

QUALITY SYMBOLS	GENERAL TOLERANCES (UNLESS SPECIFIED)
▽=0	
▽=0	
	ANGULAR ± 2 °
	DRAFT WHERE APPLICABLE MUST REMAIN WITHIN DIMENSIONS

DIMENSION STYLE		SCALE	DESIGN UNITS	THIRD ANGLE PROJECTION
MM/IN			METRIC	
DRAWN BY	DATE	TITLE		
TEF	2001/05/21	SMP PLUG, STRAIGHT PCB		
CHECKED BY	DATE	SMOOTH BORE		
SSS	2001/05/21	SMP-P/PCB EWR-1349		
APPROVED BY	DATE	MOLEX INCORPORATED		
JWIENER	2010/11/11			
MATERIAL NO.	DOCUMENT NO.	SHEET NO.		
SEE TABLE	SD-73415-332	3 OF 3		
SIZE	THIS DRAWING CONTAINS INFORMATION THAT IS PROPRIETARY TO MOLEX INCORPORATED AND SHOULD NOT BE USED WITHOUT WRITTEN PERMISSION			
C				