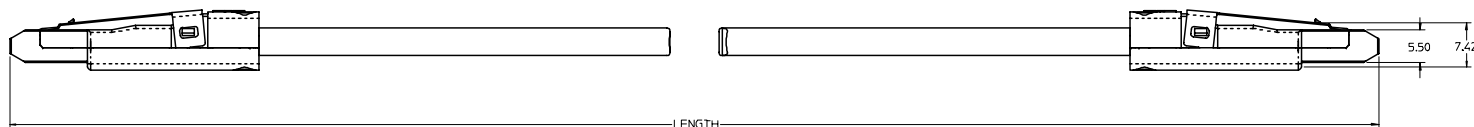
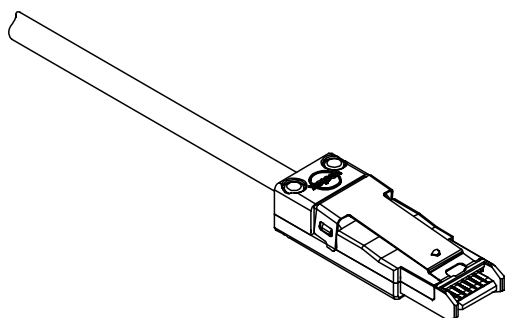
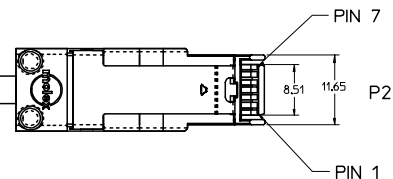
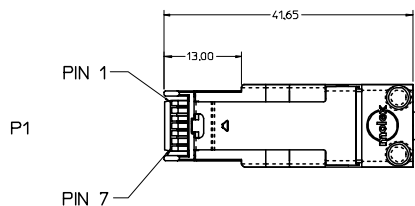


20 19 18 17 16 15 14 13 12 11 10 9 8 7 6 5 4 3 2 1

M
L
K
J
I
H
G
F
E
D
C
B
A

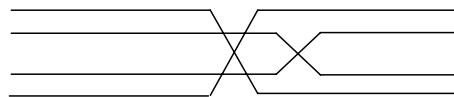
M
L
K
J
I
H
G
F
E
D
C
B
A



WIRING DIAGRAM

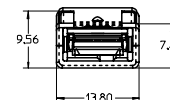
P1 END

| PIN | SIGNAL |
|-----|--------|
| 1 | Gnd |
| 2 | Rx- |
| 3 | Rx+ |
| 4 | Gnd |
| 5 | Tx+ |
| 6 | Tx- |
| 7 | Gnd |



P2 END

| PIN | SIGNAL |
|-----|--------|
| 1 | Gnd |
| 2 | Rx- |
| 3 | Rx+ |
| 4 | Gnd |
| 5 | Tx+ |
| 6 | Tx- |
| 7 | Gnd |



NOTES:

- MATERIALS
 CABLE - FULLY SHIELDED PER 71153-****
 HOUSING - ZINC ALLOY, PLATED BRIGHT TIN
 LATCH - PHOSPHOR BRONZE, PLATED BRIGHT TIN
 PRINTED CIRCUIT BOARD - FR4
 STRAIN RELIEF - THERMOPLASTIC BLACK MOLDING COMPOUND, FLEXIBLE
- MATES WITH MOLEX SERIES 74703 RECEPTACLE

| MOLEX P/N | LENGTH | TOLERANCE |
|------------|--------|-----------|
| 73939-1001 | .05M | ±.03M |
| 73939-1002 | 1M | ±.03M |
| 73939-1014 | 1.5M | ±.03M |
| 73939-1003 | 2M | ±.03M |
| 73939-1004 | 3M | ±.03M |
| 73939-1005 | 5M | ±.03M |
| 73939-1006 | 10M | ±.03M |

| | | | | | | |
|--|--|---|---|-------|--------------|--|
| ENTER DESCRIPTION EC NO: USY2008-0080 DRAWN: JERNIN 2007/08/24 CHKD: DDDDE 2007/09/04 APPR: DDDDE 2007/10/17 | QUALITY SYMBOLS | GENERAL TOLERANCES (UNLESS SPECIFIED) | DIMENSION STYLE | SCALE | DESIGN UNITS | THIRD ANGLE PROJECTION |
| | ▼=0 ▽=0 | 4 PLACES ± --- ± --- 3 PLACES ± --- ± --- 2 PLACES ± 0.25 ± --- 1 PLACE ± 0.3 ± --- ANGULAR ±1/2° | MM ONLY | 1:1 | METRIC | TITLE: HSSDC II PLUG TO PLUG UNEQUALIZED MOLEX INCORPORATED DOCUMENT NO. SD-73939-1*** SHEET NO. 1 OF 1 |
| | DRAFT WHERE APPLICABLE MUST REMAIN WITHIN DIMENSIONS | SEE TABLE | MATERIAL NO. | | | |
| | | | THIS DRAWING CONTAINS INFORMATION THAT IS PROPRIETARY TO MOLEX INCORPORATED AND SHOULD NOT BE USED WITHOUT WRITTEN PERMISSION | | | |

19 18 17 16 15 14 13 12 11 10 9 8 7 6 5 4 3 2 1