

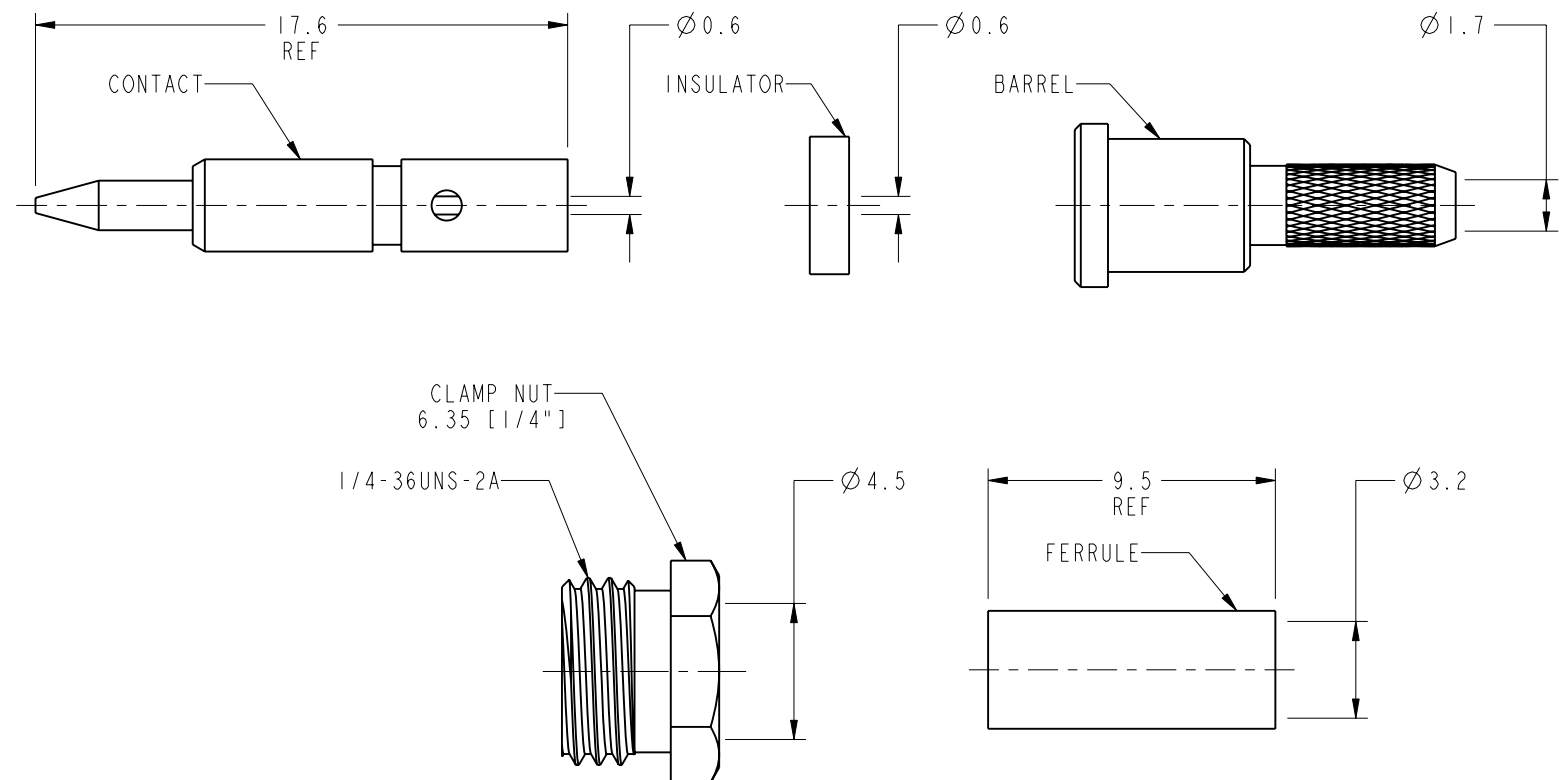
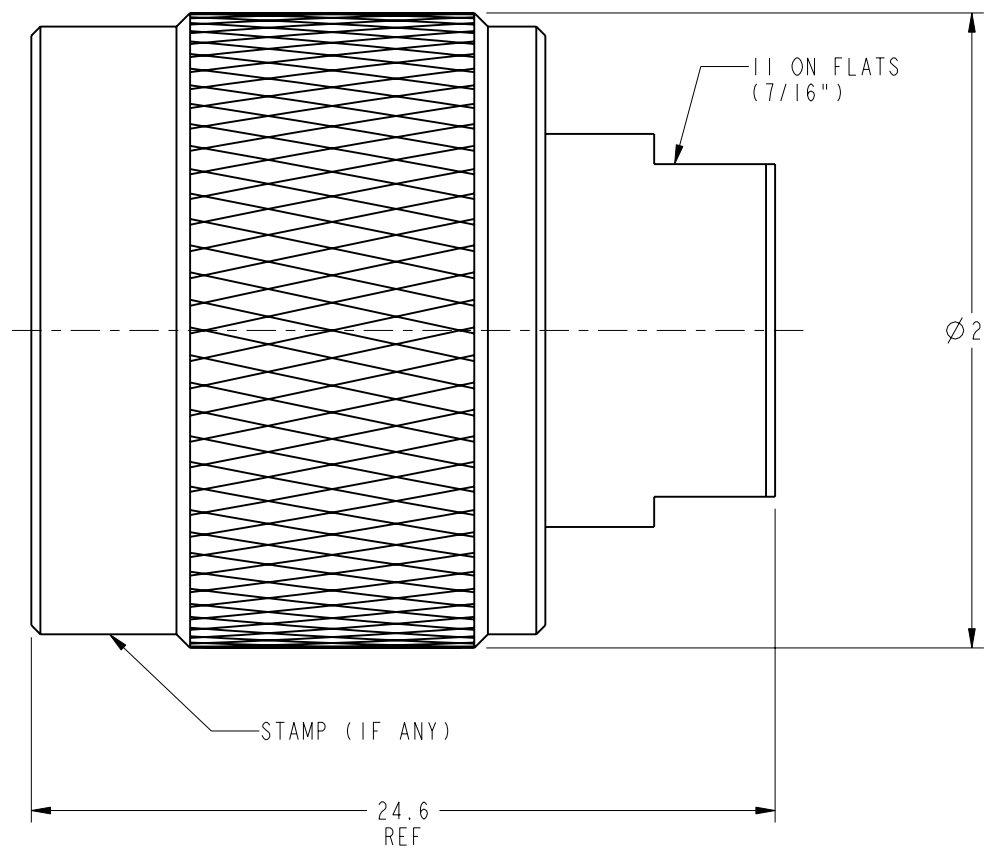
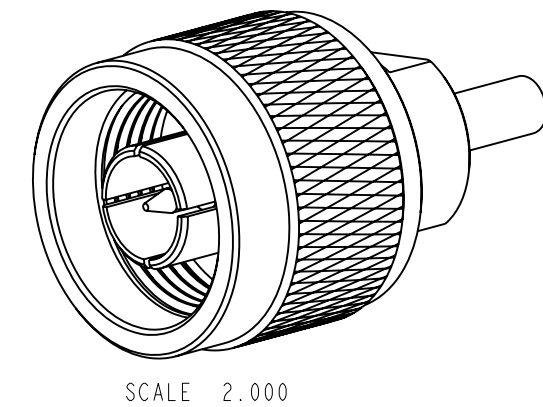
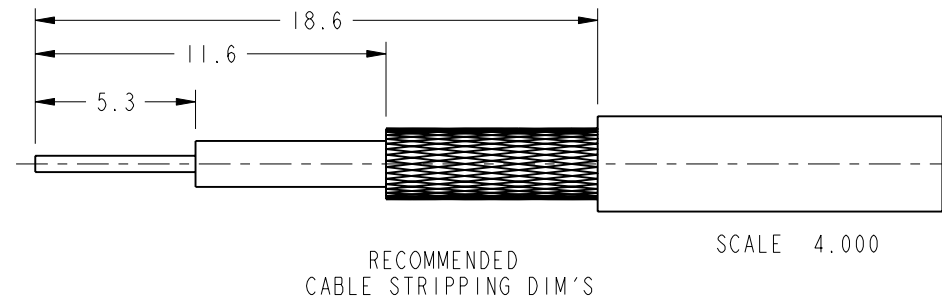
NOTES:

1. MATERIALS AND FINISHES:
 - BODY - BRASS, NICKEL PLATING
 - COUPLING NUT - BRASS, NICKEL PLATING
 - CONTACT - BRASS, GOLD PLATING
 - CONTACT BODY - BRASS, NICKEL PLATING
 - INSULATOR - PTFE
 - BARREL - BRASS, NICKEL PLATING
 - FERRULE - BRASS, NICKEL PLATING
 - CLAMP NUT - BRASS, NICKEL PLATING
2. ELECTRICAL:
 - A. IMPEDANCE: 50 OHM
 - B. FREQUENCY RANGE: DC -6 GHz
 - C. DIELECTRIC WITHSTANDING VOLTAGE: 1500 VRMS, MIN.
3. MECHANICAL:
 - A. DURABILITY: 500 CYCLES MIN.
 - B. TEMPERATURE RANGE: -65° C TO 165° C
4. PACKAGING:
 - A. QUANTITY: SINGLE PACK
 - B. MARKING: BAG TO BE MARKED "AMPHENOL, N1121GI-NT30G-316U-50, AND DATE CODE"
5. ASSEMBLY
 - A. CRIMPED FERRULE: HEX CRIMP SIZE .128"
 - B. CRIMPED CONTACT PIN: HEX CRIMP SIZE .100" OR SOLDER
 - C. TIGHTEN CLAMP NUT TO 7-10 IN-LBS

THIRD ANGLE PROJ.

REVISIONS

REV	DESCRIPTION	DATE	ECO	APPR
A	RELEASE TO MFG	06-07-01	44542	
B	UPDATED FORMAT, ADDED COD	19-Oct-12	49302	MD
C	CHANGED CONTACT O.D. TO Ø3.05MM\RD-DMI4031701M	16-Apr-14	49929	SH



CUSTOMER OUTLINE DRAWING

ALL OTHER SHEETS ARE FOR INTERNAL USE ONLY

UNLESS OTHERWISE SPECIFIED, DIMENSIONS ARE IN METRIC AND TOLERANCES ARE: <0.5mm ±0.05mm 0.5 - 6mm ±0.1mm 6 - 30mm ±0.2mm 30 - 120mm ±0.3mm ANGLES ±1°	MATERIAL	DRAWN	DATE	TITLE N CRIMP PLUG (FOR RG-174/U, 188A/U, 316/U) SCALE: 4.0:1.0 SHEET 2 OF 2	Amphenol RF www.amphenolrf.com
	SEE NOTE	M. ZHANG	03-Apr-14		
NOTICE - These drawings, specifications, or other data (1) are, and remain the property of Amphenol corp. (2) must be returned upon request; and (3) are confidential and not to be disclosed to any person other than those to whom they are given by Amphenol Corp. the furnishing of these drawings, specifications, or other data by Amphenol Corp., or to any other person to anyone for any purpose is not to be regarded by implication or otherwise in any manner licensing, granting rights to permitting such holder or any other person to manufacture, use or sell any product, process or design, patented or otherwise, that may in any way be related to or disclosed by said drawings, specifications, or other data.	REFERENCE	ENGINEER	DATE	DRAWING NO. N1121GI-NT30G-316U-50 ITEM NO. 031121AAD36NC5F	
	CONFIGURATION LEVEL:	S. LI	19-Oct-12		
	FINISH	APPROVED	DATE	REV	PART NO. 82-6034
		S. HSIEH	03-Apr-14	B	C