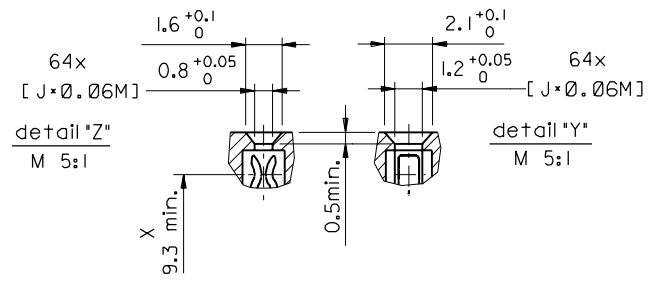
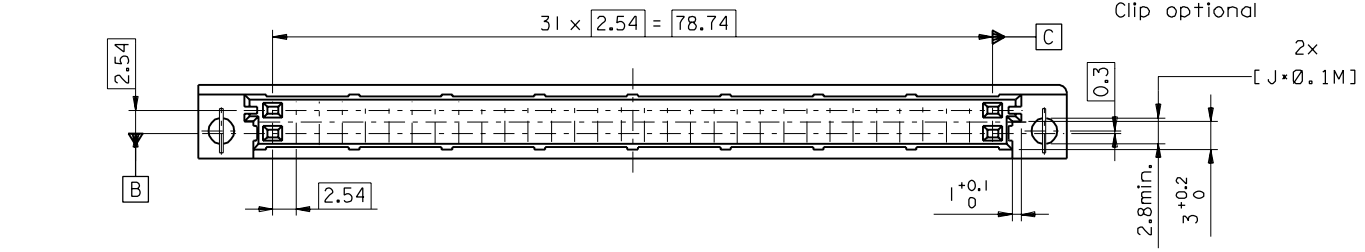
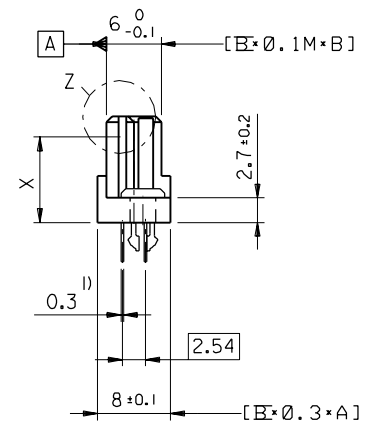
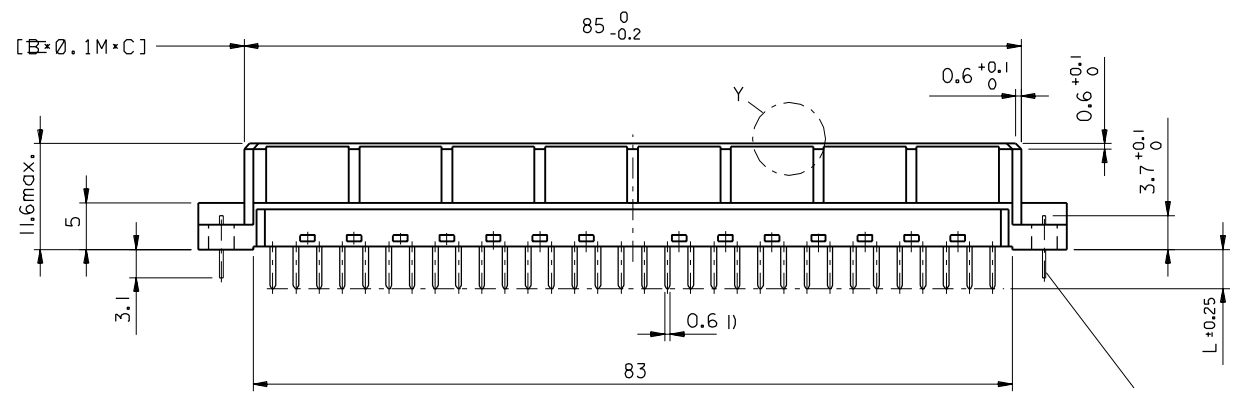


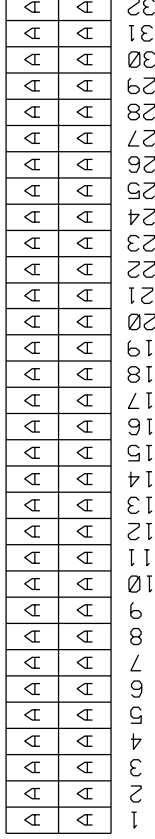
1) tails to fit in PC-board layout



ECN MG1998-2727 new fixing clip 98-04-14 Co	REVISIONS	3 PLACE ±	±
		2 PLACE ±	±
LTR	FOR PREVIOUS REVISIONS SEE MRI LIST	1 PLACE ±	±
		DRAFT WHERE APPLICABLE MUST REMAIN WITHIN DIMENSIONS	
C	LTR	DESIGN DIMENSION	<input checked="" type="checkbox"/> MM <input type="checkbox"/> IN.
		EQUIVALENT DIMENSION	<input type="checkbox"/> MM <input type="checkbox"/> IN.
IF TWO DIMENSIONS ARE SHOWN THE UPPER IS THE DESIGN DIMENSION, LOWER IS SECONDARY		SCALE	2:1

FIRST ANGLE PROJECTION		REVISE ONLY ON CAD SYSTEM		SH.	REV.
DRWG BY	KN	CAECAM PROJECT NAME	85040000 611	THIS DRAWING CONTAINS INFORMATION THAT IS PROPRIETARY TO MOLEX INC. & SHOULD NOT BE USED WITHOUT WRITTEN PERMISSION	
CHK'D BY	Ca	TITLE 64 pos. Female connector DIN 41612 style B + clip Dimensions			
APP'D BY	JB	MOLEX EUROPE		SHEET NO.	DATE
SCALE		10F1		95/11/14	
PART NO.		DWG NO.		SIZE	
		SDA-85040-0001		B	

VIEW ON MATING SIDE



A = 64 CONTACTS L-2,9

Marking	Standard
Performance level	G2/0 = Contact area level2 / Termination tin
Flux proof	no
Fixing clip	no
Dimensions	SDA-85040-0001 sht.1
Technical Data	PS-85042-0001

A G2/0 a1-32 b1-32
 Contact symbol Perform. level
 Contact position number

ECN 2264 Produkt spec. 96-10-18 KN	REVISIONS FOR PREVIOUS REVISIONS SEE MRI LIST	DRWG BY Cc	SIGN	REVISE ONLY ON CAD SYSTEM SH. REV.
UNLESS OTHERWISE SPECIFIED TOLERANCES: ANGULAR ± 2° INCH METRIC		3 PLACE ± . 2 PLACE ± . 1 PLACE ± .	CHK'D BY KN	CAD/CAM PROJECT NAME s8504001 s21
DRAFT WHERE APPLICABLE MUST REMAIN WITHIN DIMENSIONS		SCALE		THIS DRAWING CONTAINS INFORMATION THAT IS PROPRIETARY TO MOLEX INC. & SHOULD NOT BE USED WITHOUT WRITTEN PERMISSION
DESIGN DIMENSION <input type="checkbox"/> MM <input type="checkbox"/> IN. EQUIVALENT DIMENSION <input type="checkbox"/> MM <input type="checkbox"/> IN.		APP'D BY		TITLE 64 pos. female connector acc. DIN 41612 style B contacts arrangement
IF TWO DIMENSIONS ARE SHOWN, THE UPPER IS THE DESIGN DIMENSION, LOWER IS SECONDARY	SHEET NO. DATE 1 OF 1 96/05/15		DWG NO. SDA-85040-0127	
A-1	LTR	MOLEX EUROPE		SIZE A