

VIEW ON MATING SIDE

U							C	C	C	C	C	C								
a							B	B	B	B	B	B								
◀							A	A	A	A	A	A								

8 7 6 5 4 3 2 1 0 9 8 7 6 5 4 3 2 1 0 9 8 7 6 5 4 3 2 1 0 9 8 7 6 5 4 3 2 1 0 9 8 7 6 5 4 3 2 1 0 9 8 7 6 5 4 3 2 1

- A = 8 CONTACTS L-2,8
- B = 8 CONTACTS L-2,8
- C = 8 CONTACTS L-2,8

S = 24 TOTAL NUMBER OF CONTACTS

Marking	Standard
Performance level	G2/0 = Contact area level2 / Termination tin
Flux proof	no
Fixing clip	no
Dimensions	SD-85056-0004 sht.1
TechnicalData	PS-85052-0001

C	G2/0	c13-20
B	G2/0	b13-20
A	G2/0	a13-20

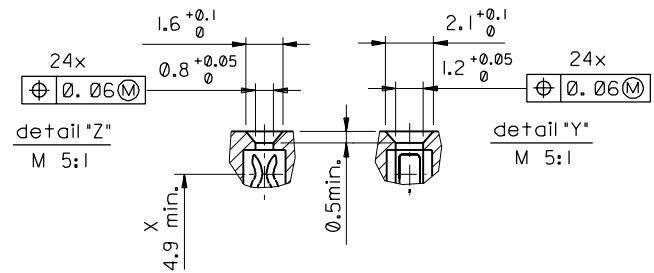
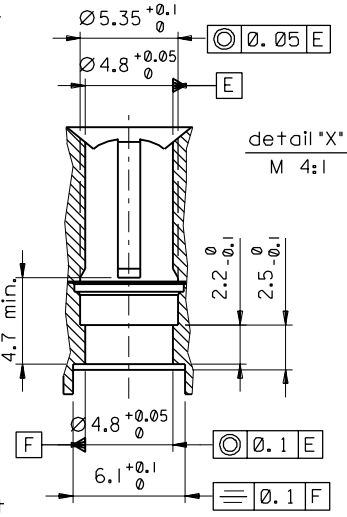
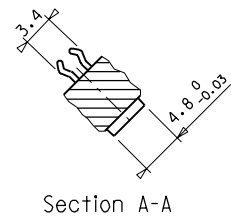
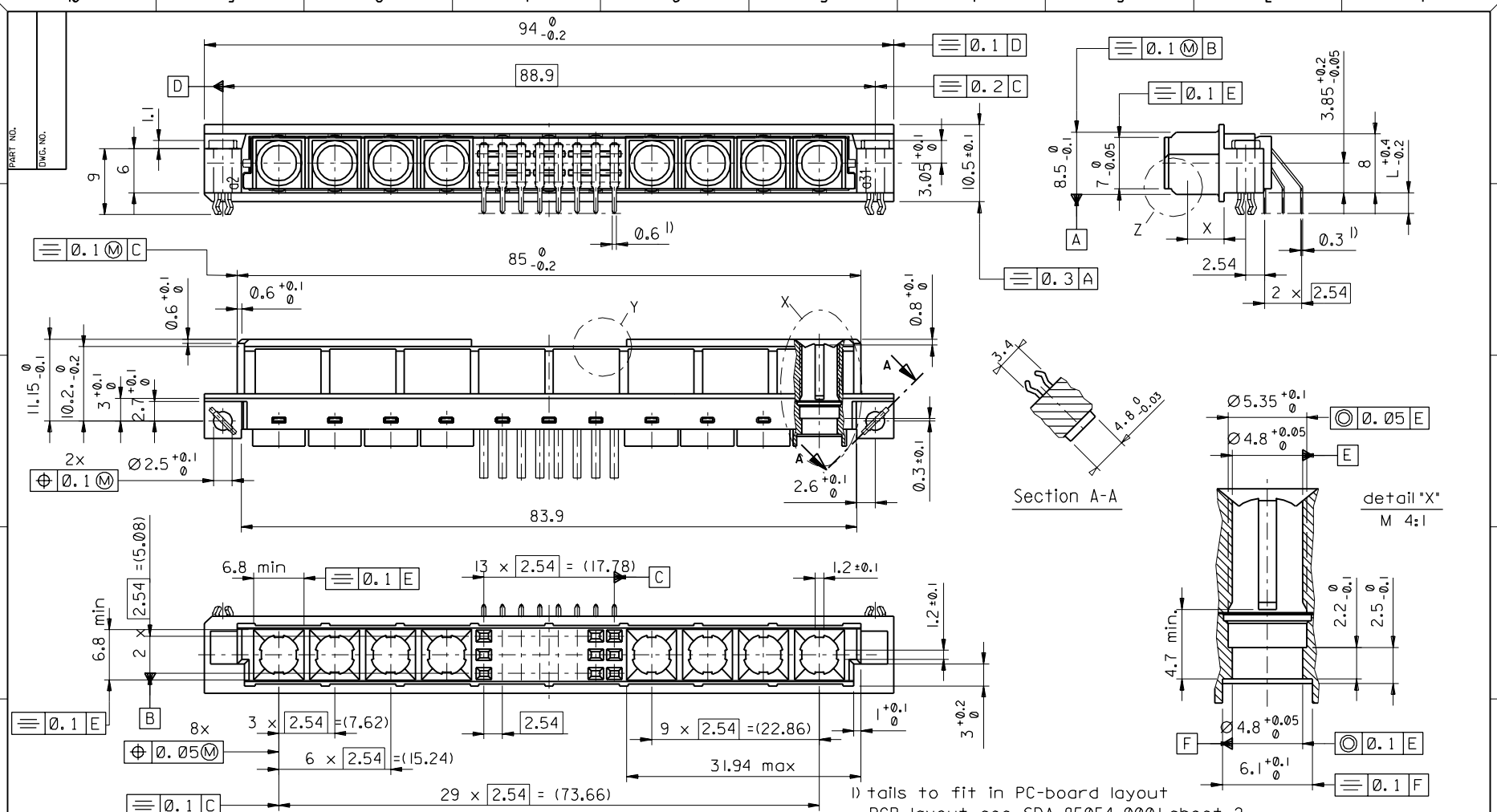
Contact symbol Perform.
level

Contact position number

ECN 2478	first release	REVISIONS		FOR PREVIOUS REVISIONS SEE MRI LIST	
△	LTR	REVISIONS		FOR PREVIOUS REVISIONS SEE MRI LIST	

UNLESS OTHERWISE SPECIFIED TOLERANCES: ANGULAR ± 2°	DRWG BY	SIGN
	KN	
	CHK'D BY	SIGN
	Ca	
	APP'D BY	SIGN
	JB	
	SCALE	
	DESIGN DIMENSION	<input type="checkbox"/> MM <input type="checkbox"/> IN.
	EQUIVALENT DIMENSION	<input type="checkbox"/> MM <input type="checkbox"/> IN.
	IF TWO DIMENSIONS ARE SHOWN, THE UPPER IS THE DESIGN DIMENSION, LOWER IS SECONDARY	

REVISE ONLY ON CAD SYSTEM	SH. REV.
CAD/CAM PROJECT NAME	THIS DRAWING CONTAINS PROPRIETARY TO MOLEX, INC. & SHOULD NOT BE USED WITHOUT WRITTEN PERMISSION
s8505600 SO1	
TITLE	
24 pos. female connector acc. DIN 41612, style M invert. contacts arrangement	
SHEET NO.	DATE
1 OF 1	97/05/21
PART NO.	DWG NO.
85056-0000	SD-85056-0000
SIZE	A



FIRST ANGLE PROJECTION		REVISE ONLY ON CAD SYSTEM		SH.	REV.
UNLESS OTHERWISE SPECIFIED TOLERANCES: ANGULAR ±2°		DRWG BY	SIGN	CAD/CAM PROJECT NAME	
INCH METRIC		KN		85056000	
3 PLACE ±		CHK'D BY	SIGN	THIS DRAWING CONTAINS INFORMATION THAT IS PROPRIETARY TO MOLEX INC. & SHOULD NOT BE USED WITHOUT WRITTEN PERMISSION	
2 PLACE ±		Ca		TITLE	
1 PLACE ±		APP'D BY	SIGN	24 pol. Federleiste	
DRAFT WHERE APPLICABLE MUST REMAIN WITHIN DIMENSIONS		JB		24 pos. female connector	
DESIGN DIMENSION <input checked="" type="checkbox"/> MM		SCALE		DIN 41612, style M inverted	
EQUIVALENT DIMENSION <input type="checkbox"/> MM		2:1		SHEET NO. DATE	
IF TWO DIMENSIONS ARE SHOWN THE UPPER IS THE DESIGN DIMENSION, LOWER IS SECONDARY		PART NO.		1 of 1 97/04/23	
ECN MG1998-2586		DWG NO.		SD-85056-0004	
L+0.2 In +0.4-0.2, Tex+1)		SIZE		B	
97-09-18 KN					
REVISIONS					
FOR PREVIOUS REVISIONS SEE MRI LIST					