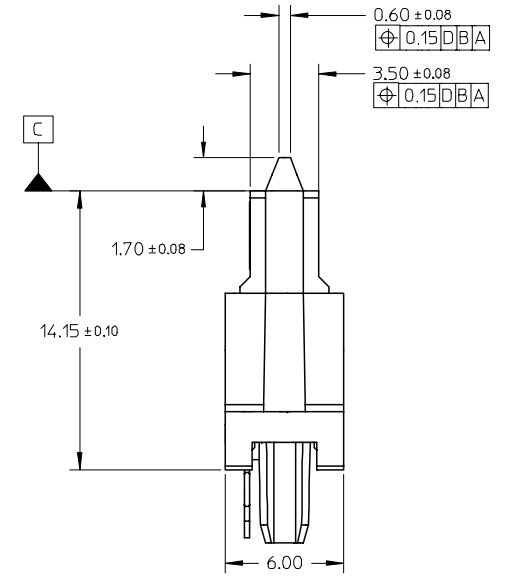
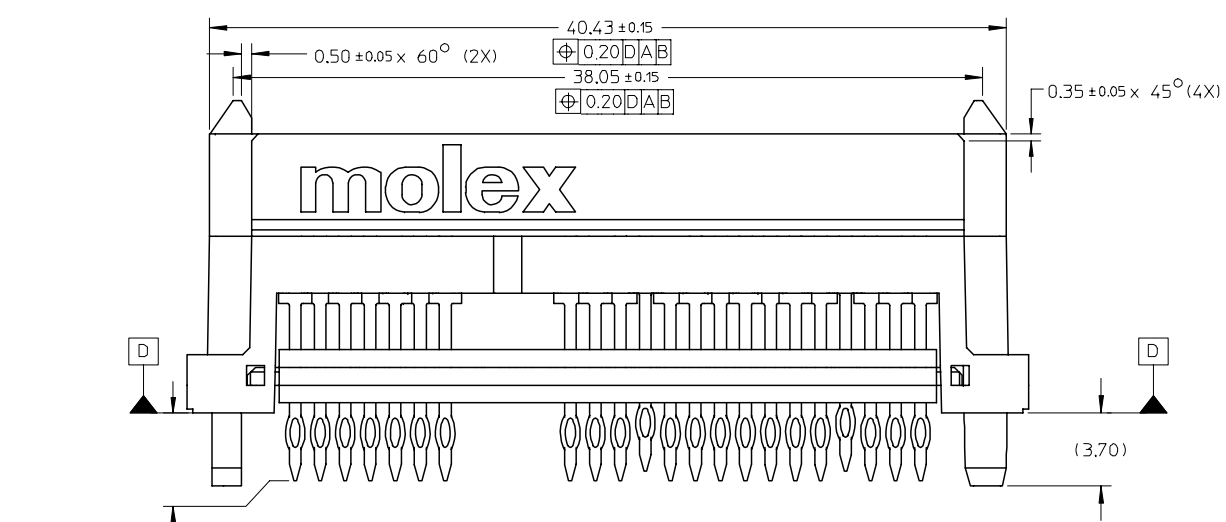


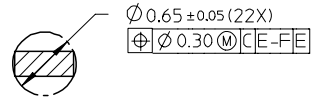
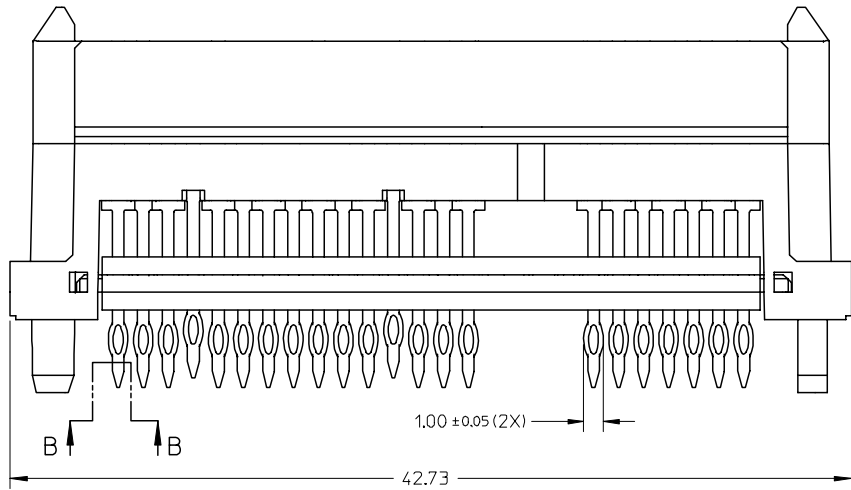
- NOTES:
- MATERIAL: LIQUID CRYSTALLINE POLYMER (LCP), GLASS FILLED, UL 94V-0. COLOR: BLACK
TERMINAL: COPPER ALLOY
 - PLATING
CONTACT: 0.76µm MIN. SELECTIVE GOLD OVER 1.27µm MIN. NICKEL UNDERPLATE
SOLDERTAIL: 2.54µm MIN. TIN OVER 1.27µm MIN. NICKEL UNDERPLATE
 - MOLEX LOGO LOCATED APPROXIMATELY AS SHOWN
 - MAXIMUM WARPAGE OF 0.13 mm OVER THE LENGTH OF THE CONNECTOR IN ANY DIRECTION BEFORE AND AFTER EXPOSURE TO MOLEX'S REFLOW PROFILE.
 - PCB THICKNESS RANGE FROM 1.50 mm TO 2.00 mm
 - KEEP OUT ZONE ON BOTH SIDE OF PCB FOR CONNECTOR INSERTION AND EXTRACTION TOOL
 - PRODUCT SPECIFICATION: PS-87780-024 APPLIES
 - PACKAGING
30 CONNECTORS PER TRAY
 - MATES WITH SATA PLUG SERIES: 87679, 87703, 87799.



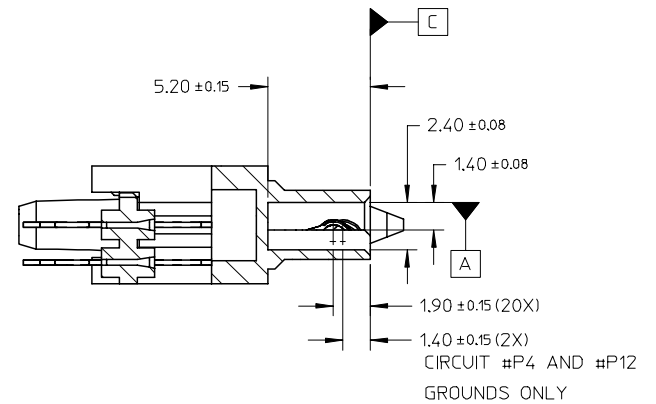
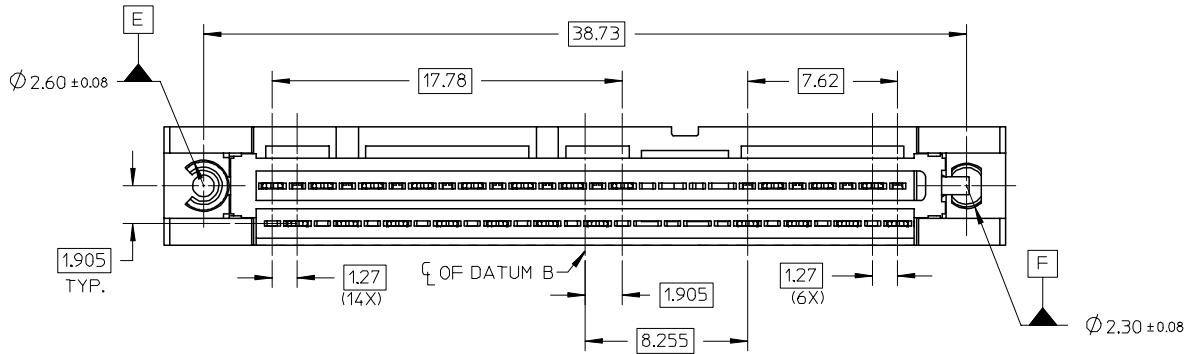
THE DESIGN IS BASED ON DESIGN OBJECTIVES AND IS STRICTLY TENTATIVE. IT MAY CHANGE BASED ON RESULTS OF ADDITIONAL DESIGN REVIEWS & VERIFICATIONS

EC NO: S2006-0465 DRWN:KHLIM 2005/11/09 CHKD:SHONG 2005/11/09 APPR:KCLING 2005/11/10	QUALITY SYMBOLS ▽=0 ◁=0	GENERAL TOLERANCES (UNLESS SPECIFIED)		DIMENSION STYLE MM ONLY		SCALE NTS	DESIGN UNITS METRIC	THIRD ANGLE PROJECTION		
			mm	INCH	DRAWN BY KHLIM	DATE 2005/01/23	SERIAL ATA BACKPLANE EXTENDED HEIGHT PRESS FIT RECEPTACLE MOLEX INCORPORATED			
		4 PLACES	± ---	± ---	CHECKED BY KCLING	DATE 2005/02/03				
		3 PLACES	± ---	± ---	APPROVED BY SKTOH	DATE 2005/02/04				
2 PLACES	± 0.20	± ---	ANGULAR ± 3°		MATERIAL NO. 87780-1001	DOCUMENT NO. SD-87780-031	SHEET NO. 1 OF 4			
1 PLACE	± ---	± ---	DRAFT WHERE APPLICABLE MUST REMAIN WITHIN DIMENSIONS		THIS DRAWING CONTAINS INFORMATION THAT IS PROPRIETARY TO MOLEX INCORPORATED AND SHOULD NOT BE USED WITHOUT WRITTEN PERMISSION					

10 9 8 7 6 5 4 3 2 1



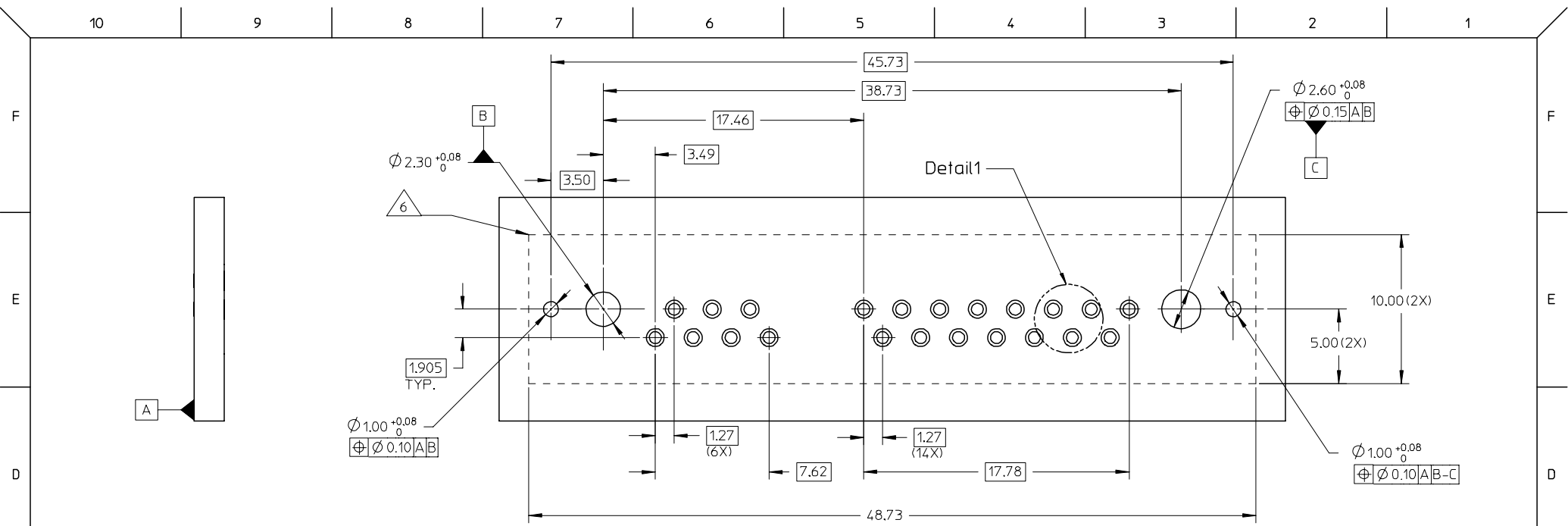
SECTION B-B



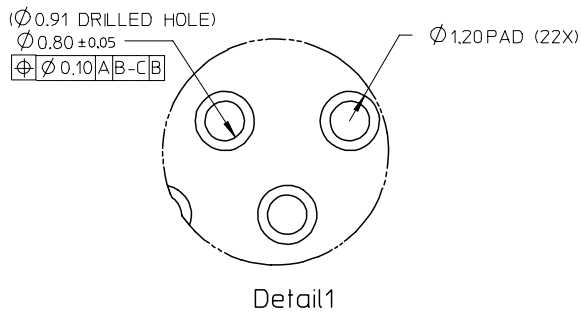
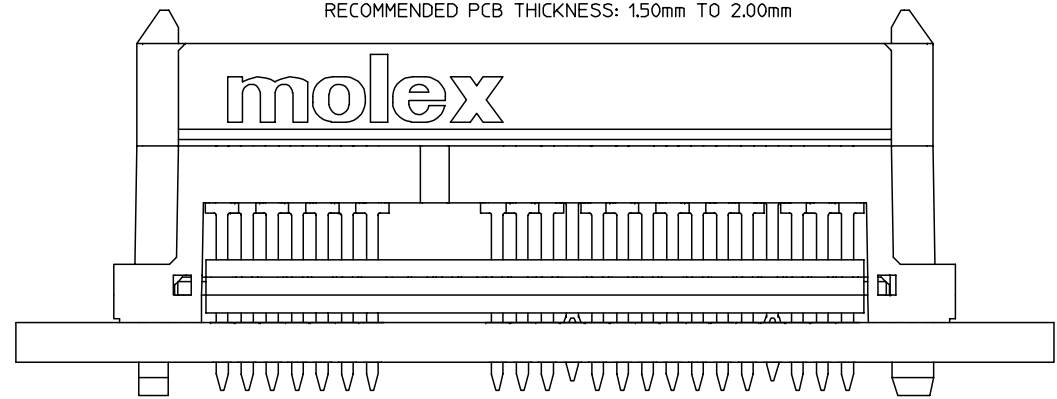
SECTION A-A

EC NO: S2006-0465 2005/11/09 DRWN:KHLIM 2005/11/09 CHKD:SHONG 2005/11/10 APPR:KCLING	QUALITY SYMBOLS ▽=0 ▽=0	GENERAL TOLERANCES (UNLESS SPECIFIED)		DIMENSION STYLE MM ONLY		SCALE NTS	DESIGN UNITS METRIC	THIRD ANGLE PROJECTION			
		4 PLACES ± --- ± ---	3 PLACES ± --- ± ---	2 PLACES ± 0.20 ± ---	1 PLACE ± --- ± ---	ANGULAR ± 3 °	DRAWN BY KHLIM	DATE 2005/01/23	TITLE SERIAL ATA BACKPLANE EXTENDED HEIGHT PRESS FIT RECEPTACLE		
		DRAFT WHERE APPLICABLE MUST REMAIN WITHIN DIMENSIONS					APPROVED BY SKTOH	DATE 2005/02/04	MOLEX INCORPORATED		
		MATERIAL NO. 87780-1001		DOCUMENT NO. SD-87780-031		SHEET NO. 2 OF 4					

9 8 7 6 5 4 3 2 1



RECOMMENDED PCB LAYOUT
 RECOMMENDED PCB THICKNESS: 1.50mm TO 2.00mm



EC NO: S2006-0465 2005/11/09 DRWN:KHLIM 2005/11/09 CHKD:SHONG 2005/11/10 APPR:KCLING	QUALITY SYMBOLS $\nabla=0$ $\triangle=0$	GENERAL TOLERANCES (UNLESS SPECIFIED)		DIMENSION STYLE MM ONLY		SCALE NTS	DESIGN UNITS METRIC	THIRD ANGLE PROJECTION		
			mm	INCH	DRAWN BY KHL IM	DATE 2005/01/23	SERIAL ATA BACKPLANE EXTENDED HEIGHT PRESS FIT RECEPTACLE MOLEX INCORPORATED			
		4 PLACES	\pm ---	\pm ---	CHECKED BY	DATE				
		3 PLACES	\pm ---	\pm ---	KCLING	2005/02/03				
2 PLACES	± 0.20	\pm ---	APPROVED BY	DATE	MOLEX INCORPORATED DOCUMENT NO. SD-87780-031 SHEET NO. 3 OF 4					
1 PLACE	\pm ---	\pm ---	SKTOH	2005/02/04						
		ANGULAR $\pm 3^\circ$		MATERIAL NO. 87780-1001						
DRAFT WHERE APPLICABLE MUST REMAIN WITHIN DIMENSIONS				SIZE A3		THIS DRAWING CONTAINS INFORMATION THAT IS PROPRIETARY TO MOLEX INCORPORATED AND SHOULD NOT BE USED WITHOUT WRITTEN PERMISSION				

10 9 8 7 6 5 4 3 2 1

F

F

E

E

D

D

C

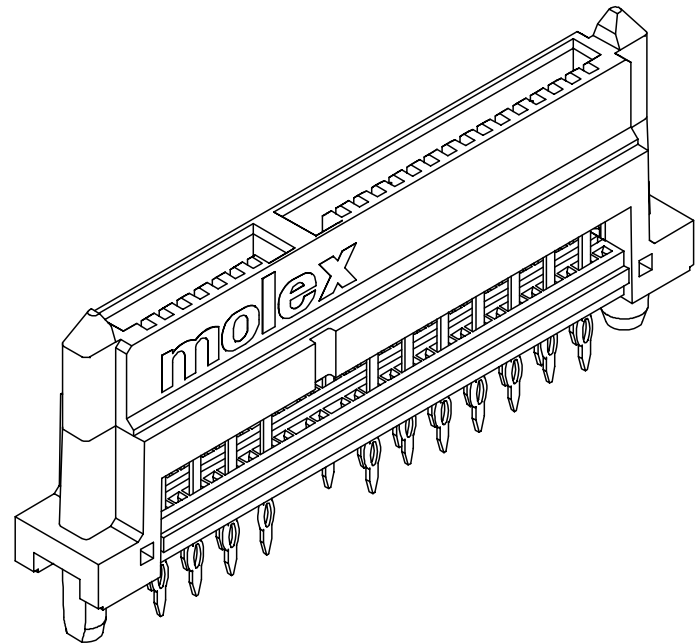
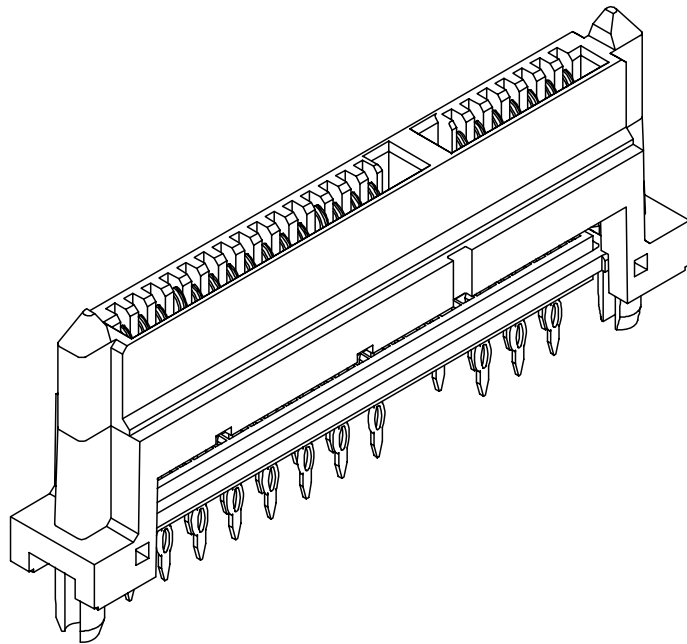
C

B

B

A

A



EC NO: S2006-0465 2005/11/09 DRWN:KHLIM 2005/11/09 CHKD:SHONG APPR:KCLING 2005/11/10	DESCRIPTION REV	QUALITY SYMBOLS ▽=0 ◻=0	GENERAL TOLERANCES (UNLESS SPECIFIED)		DIMENSION STYLE MM ONLY		SCALE NTS	DESIGN UNITS METRIC	THIRD ANGLE PROJECTION		
			4 PLACES ± --- ± --- 3 PLACES ± --- ± --- 2 PLACES ± 0.20 ± --- 1 PLACE ± --- ± ---	mm INCH	DRAWN BY KHLIM	DATE 2005/01/23	TITLE SERIAL ATA BACKPLANE EXTENDED HEIGHT PRESS FIT RECEPTACLE				
			ANGULAR ± 3 °		CHECKED BY KCLING	DATE 2005/02/03	MOLEX INCORPORATED				
			DRAFT WHERE APPLICABLE MUST REMAIN WITHIN DIMENSIONS		APPROVED BY SKTOH	DATE 2005/02/04	MATERIAL NO. 87780-1001	DOCUMENT NO. SD-87780-031	SHEET NO. 4 OF 4		

9 8 7 6 5 4 3 2 1