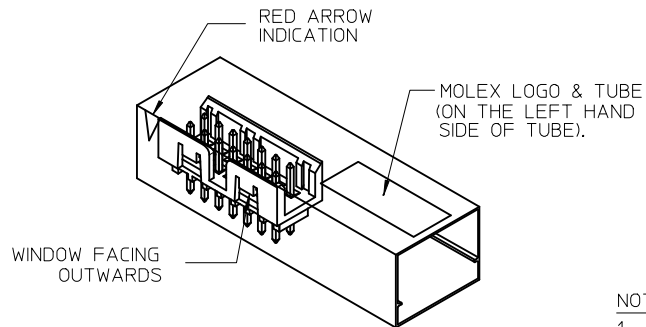
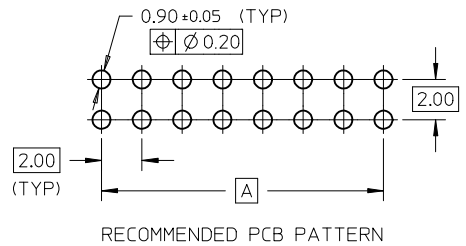
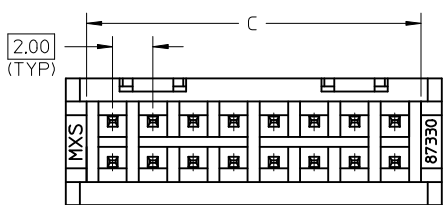
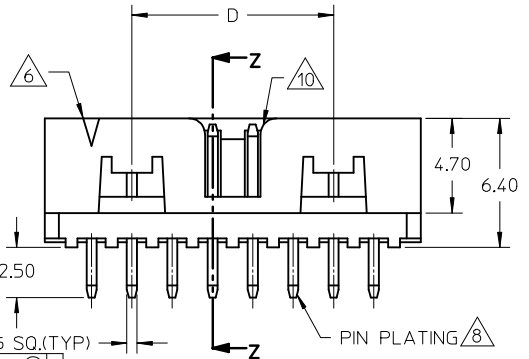


P/N IN TUBE	CKT SIZE	DIMENSION			
		A	B	C	D
87831-0431	04	2.00	6.65	4.60	-
87831-0631	06	4.00	8.65	6.60	-
87831-0831	08	6.00	10.65	8.60	-
87831-1031	10	8.00	12.65	10.60	-
87831-1231	12	10.00	14.65	12.60	-
87831-1431	14	12.00	16.65	14.60	8.00
87831-1631	16	14.00	18.65	16.60	10.00
87831-1831	18	16.00	20.65	18.60	12.00
87831-2031	20	18.00	22.65	20.60	14.00
87831-2231	22	20.00	24.65	22.60	16.00
87831-2431	24	22.00	26.65	24.60	18.00
87831-2631	26	24.00	28.65	26.60	20.00
87831-2831	28	26.00	30.65	28.60	22.00
87831-3031	30	28.00	32.65	30.60	24.00
87831-3231	32	30.00	34.65	32.60	26.00
87831-3431	34	32.00	36.65	34.60	28.00
87831-3631	36	34.00	38.65	36.60	30.00
87831-3831	38	36.00	40.65	38.60	32.00
87831-4031	40	38.00	42.65	40.60	34.00
87831-4231	42	40.00	44.65	42.60	36.00
87831-4431	44	42.00	46.65	44.60	38.00
87831-4631	46	44.00	48.65	46.60	40.00
87831-4831	48	46.00	50.65	48.60	42.00
87831-5031	50	48.00	52.65	50.60	44.00

- NOTES:
- FOR ILLUSTRATION PURPOSES, 16 CIRCUIT SIZE WAFER IS SHOWN.
  - MATERIAL : HOUSING : 30% G.F., NYLON 46, UL94V-0, COLOR BLACK.  
PIN : 0.50MM SQ.PHOSPHOR BRONZE.
  - PIN PUSHOUT FORCE : 0.91 KG MIN. IN EITHER DIRECTION.
  - PRODUCT SPECIFICATION PS-87831-027 APPLIES.
  - NO SIDE LOCKING SLOT FROM 4 TO 12 CKT SIZE.
  - △6 CKT 4 & 6 HAS NO IDENTIFICATION TAG.
  - △7 RIBS LOCATION VARIES DEPENDING ON CKT SIZES.
  - △8 PLATING : 0.38um/15uin GOLD IN CONTACT AREA AND 1.88um/75uin MIN.TIN IN SOLDER TAIL AREA OVER 1.27um/50uin MIN, NICKEL OVERALL.
  - THIS HEADER MATES WITH MOLEX :
    - CRIMP RECEPTACLE HOUSING, 51110 SERIES WITH CRIMP TERMINAL, 50394 SERIES.
    - 2MM MILLIGRID DUAL ROW IDT, 87568 SERIES.
  - NO CENTRE POLARIZATION SLOT FOR CKT SIZE 4 & 6.
  - PARTS TO BE PACKED IN TUBE WITH MOISUTRE BARRIER BAG.



REF : ORIENTATION OF PART IN TUBE  
(FOR THE REFERENCE OF PART/TUBE ASSEMBLY)



REMOVE TUBE P/N EC NO: S2009-0749 DRWN:YMCHEONG 2009/04/30 CHKD:ATSEE 2009/04/30 APPR:MLONG 2009/05/04	QUALITY SYMBOLS ▽=0 ∇=0	GENERAL TOLERANCES (UNLESS SPECIFIED)		DIMENSION STYLE MM ONLY	SCALE NTS	DESIGN UNITS METRIC	THIRD ANGLE PROJECTION	
		mm	INCH	DRAWN BY ATSEE	DATE 2003/10/06	TITLE MGRID, SHROUDED HEADER VERTICAL W/OPEN END WALL		
		4 PLACES ± --- ± ---	3 PLACES ± --- ± ---	CHECKED BY KCLING	DATE 2003/11/07	MOLEX INCORPORATED		
		2 PLACES ± 0.2 ± ---	1 PLACE ± --- ± ---	APPROVED BY SKTOH	DATE 2003/11/07	DOCUMENT NO. SD-87831-014	SHEET NO. 1 OF 1	
A5	REV	DRAFT WHERE APPLICABLE MUST REMAIN WITHIN DIMENSIONS		SIZE A3	THIS DRAWING CONTAINS INFORMATION THAT IS PROPRIETARY TO MOLEX INCORPORATED AND SHOULD NOT BE USED WITHOUT WRITTEN PERMISSION			