

5

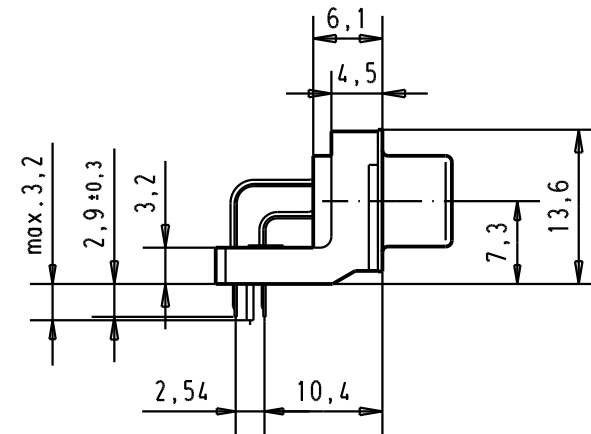
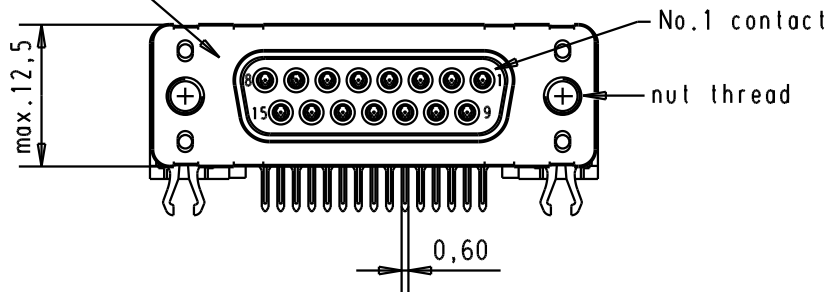
4

3

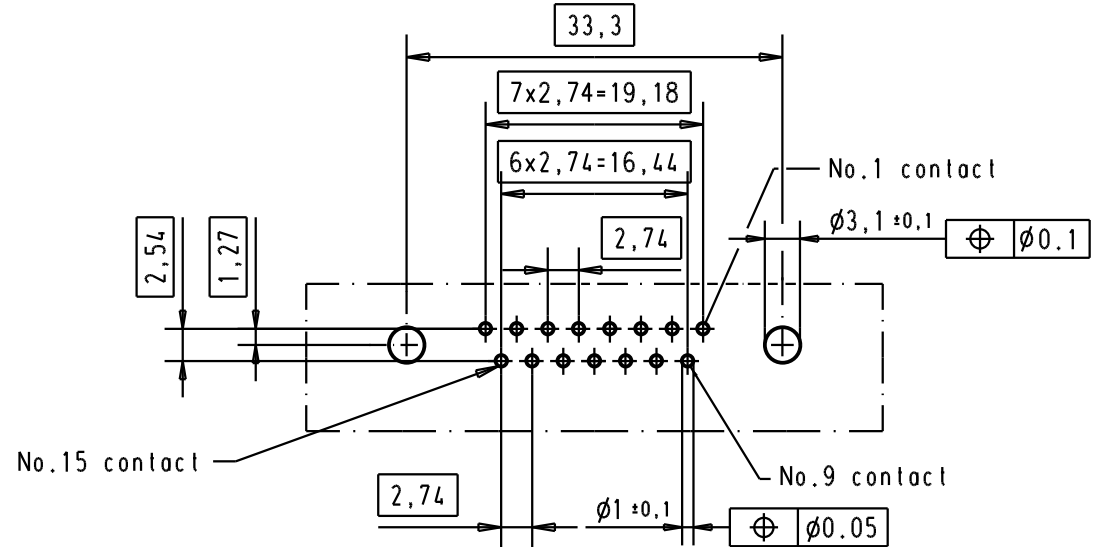
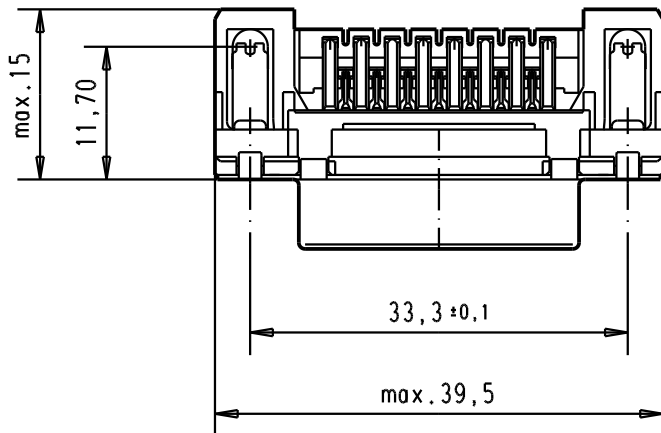
2

1

Mating face according to : MIL-C-24308 / DIN 41652 / CECC 75301-802





Printed board layout component side



Connector retention and insertion forces on the PCB = 25 / 80 newtons

A

09 66 256 3611	M 3	1											
09 66 256 6611	M 3	2											
09 66 256 7611	M 3	3											
09 66 256 3612	4-40 UNC	1											
09 66 256 6612	4-40 UNC	2	31892	05/05/04	JH								
09 66 256 7612	4-40 UNC	3	29723	05/03/02	CV								
Part number	Nut thread	Performance level	Mod.	Dat.	Name	 All Dim. in mm Orig. Size DIN A 4		D-Sub, high temperature, female, standard, 15 poles, with solder pins 2,9 mm, nuts and grounding board lock.			Maßstab/ Scale 1.5:1		
HARTING EURL F-95972 Paris								TB 0966256x61x			Blatt/ Page 5		
Sub.													