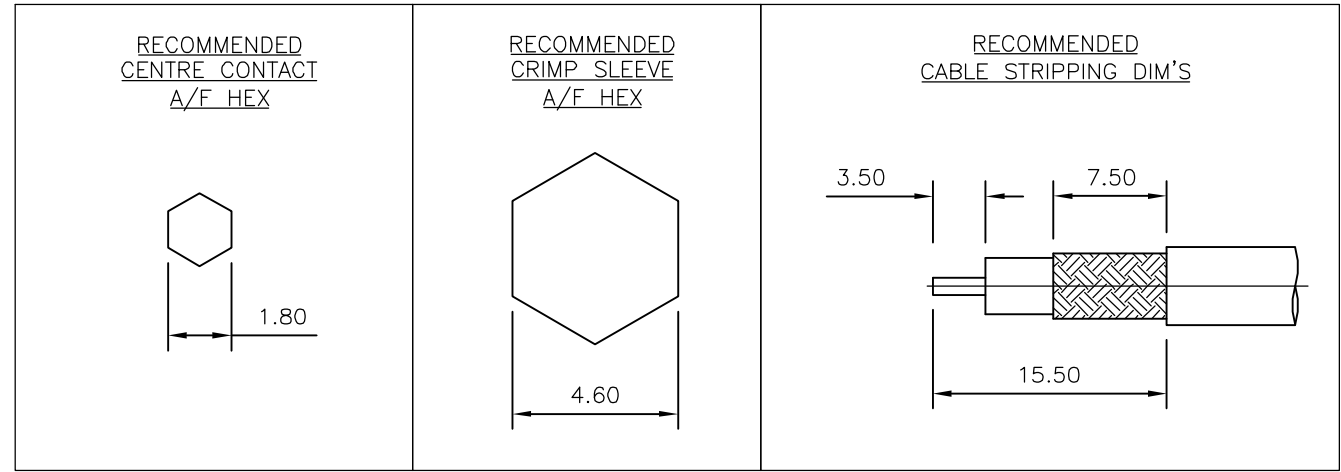
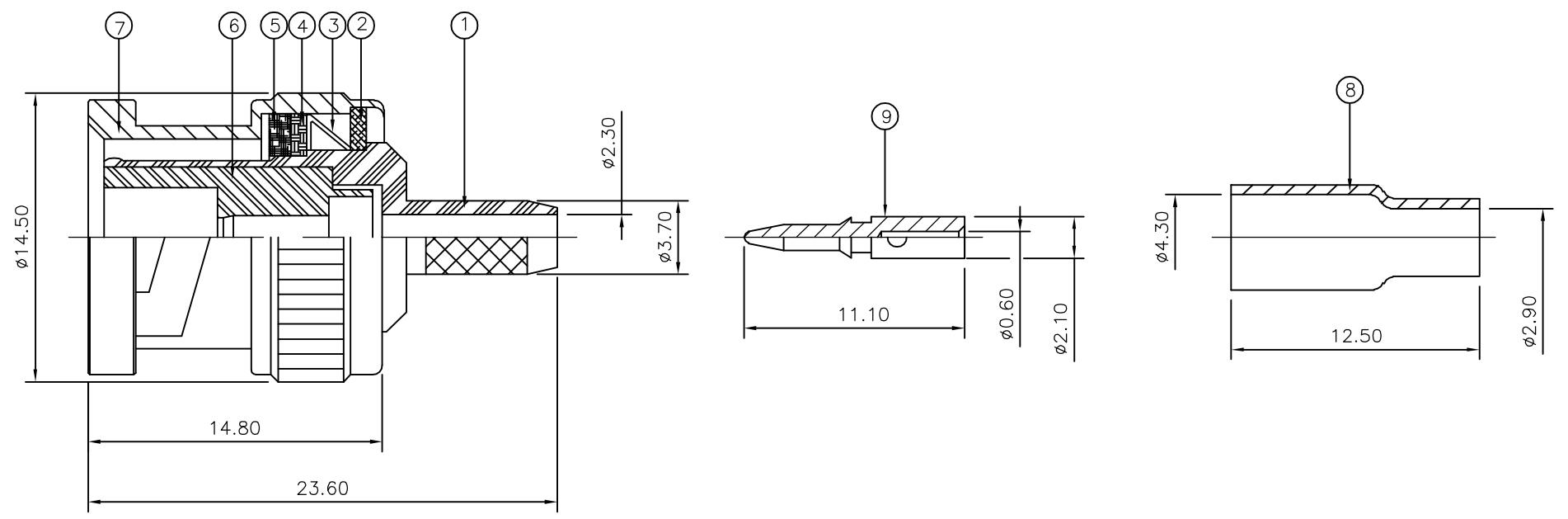


THIS DRAWING IS UNPUBLISHED. RELEASED FOR PUBLICATION NOV ,2005.
 © COPYRIGHT 2005 BY TYCO ELECTRONICS CORPORATION. ALL RIGHTS RESERVED.

| LOC | DIST | REVISIONS | | | | | |
|-----|------|-----------|-----|---------------|---------|-----|------|
| E | B | P | LTR | DESCRIPTION | DATE | DWN | APVD |
| | | C | | ECR-05-015880 | 21NOV05 | JMS | FWK |

NOTES:

- ① PACK IN ACCORDANCE WITH AMP SPEC 107-3275
- ② 100 TRAY PACK IN ACCORDANCE WITH AMP SPEC 107-3275
- ③ Ag PLATING
- ④ THIS ITEM MUST BE WHITE
- 5 HAND TOOL : 9-1478240-0
- 6 DIE SET : 9-1478245-0
- 7 ELECTRICAL CHARACTERISTICS
 FREQUENCY RANGE: DC - 4 GHz
 NOMINAL IMPEDANCE: 50 Ohm
 INSULATION RESISTANCE: 5000 MOhm
 WORKING VOLTAGE: 500 Volts RMS at Sea Level
 DIELECTRIC WITHSTAND VOLTAGE: 1500 Volts RMS Max
 CONTACT RESISTANCE:
 CENTRE CONTACT: 1.50 mOhm Max
 OUTER CONTACT: 0.20 mOhm Max
 VSWR @ 4GHz: 1.30:1 Max
 INSERTION LOSS dB @ x 3 GHz: 0.20 Max
- 8 MECHANICAL CHARACTERISTICS
 COUPLING NUT RETENTION FORCE: 445N Min
 CABLE RETENTION FORCE: 85N Min
 DURABILITY: 500 Cycles Min
- 9 ENVIRONMENTAL CHARACTERISTICS
 OPERATING TEMPERATURE: -65 to +165 DegC



| QTY | UNIT | MATERIAL | DESCRIPTION | ITEM |
|------|------|----------------|-------------|------|
| 1 | 1 | BRASS | CONTACT | 9 |
| 1 | 1 | BRASS | FERRULE | 8 |
| 1 | 1 | BRASS | SHELL | 7 |
| 1 | 1 | PTFE | INSULATION | 6 |
| 1 | 1 | SILICON RUBBER | GASKET | 5 |
| 1 | 1 | BRASS | WASHER | 4 |
| 1 | 1 | SPRING STEEL | SPRING | 3 |
| 1 | 1 | BRASS | WASHER | 2 |
| 1 | 1 | BRASS | BODY | 1 |
| 6--0 | 1--0 | MATERIAL | DESCRIPTION | ITEM |

| | | | | |
|--|--|-----------------------------------|---|--------------------|
| THIS DRAWING IS A CONTROLLED DOCUMENT. | | DWN J.SANDWELL 21NOV05 | Tyco Electronics Corporation Bideford EX39 4HE | |
| DIMENSIONS: mm | | CHK S.PARLOW 21NOV05 | | |
| | | APVD F.WHEELER-KING 21NOV05 | NAME BNC STRAIGHT PLUG CRIMP 50 OHM RG174A/U, 188A/U, 316/U, URM95, KX3B, KX22A | |
| TOLERANCES UNLESS OTHERWISE SPECIFIED: | | PRODUCT SPEC 108-3435 | RESTRICTED TO | |
| MATERIAL SEE TABLE | | APPLICATION SPEC 411-3247 | SIZE A3 | CAGE CODE 00779 |
| FINISH - | | WEIGHT - | DRAWING NO C-1337430 | SCALE NTS |
| | | CUSTOMER DRAWING | SHEET 1 | OF 1 |
| | | | REV C | |