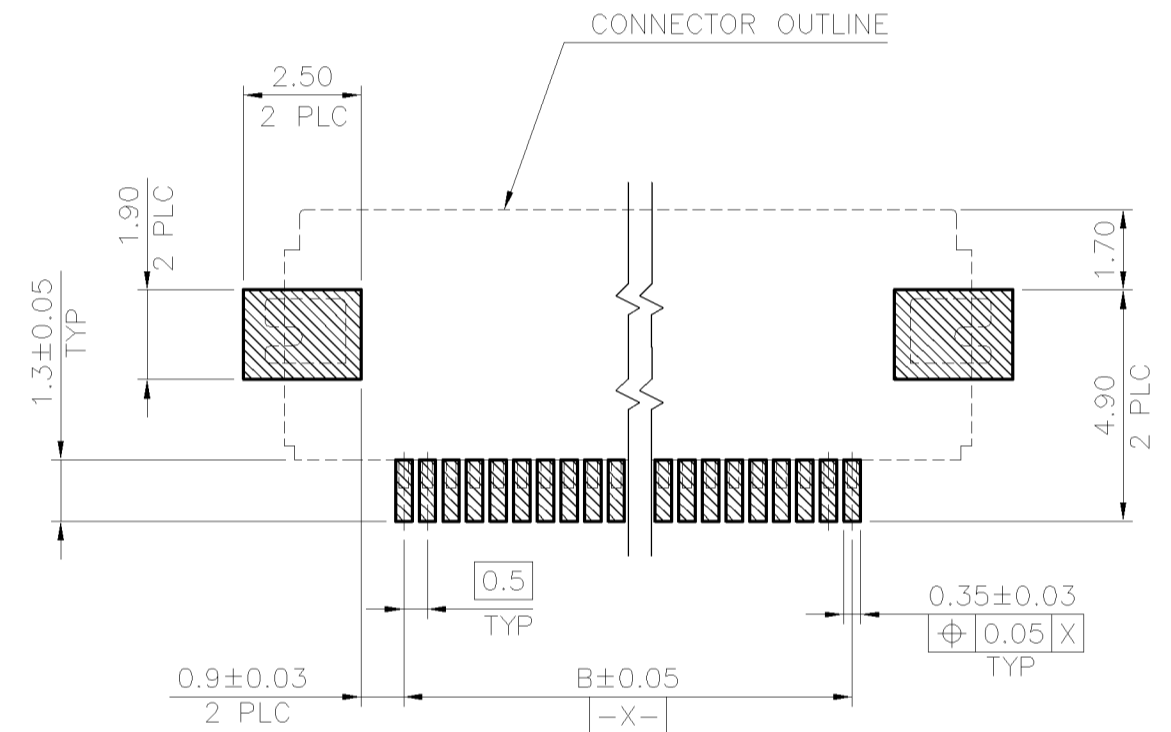
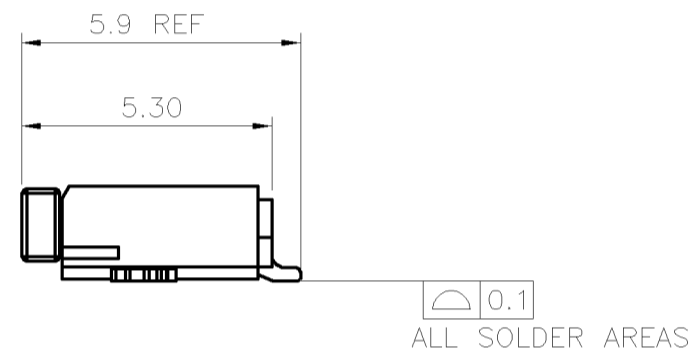
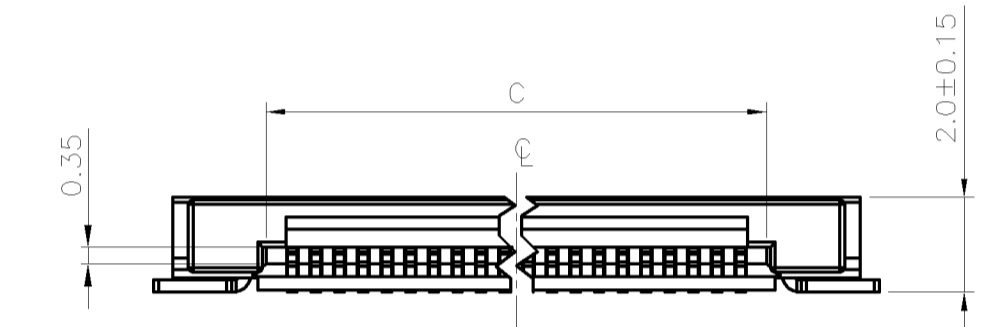
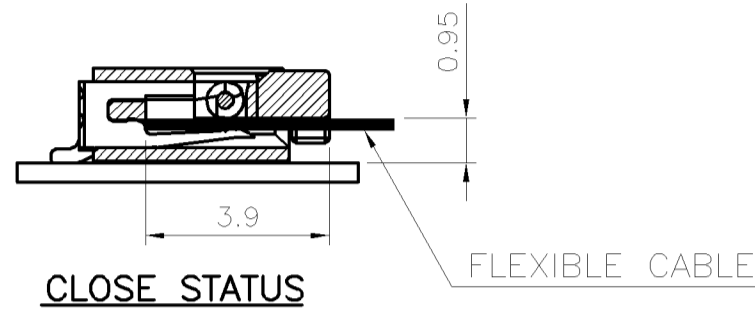
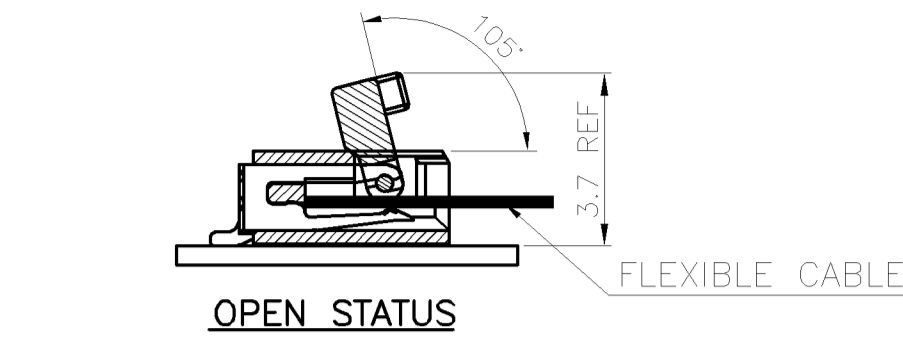
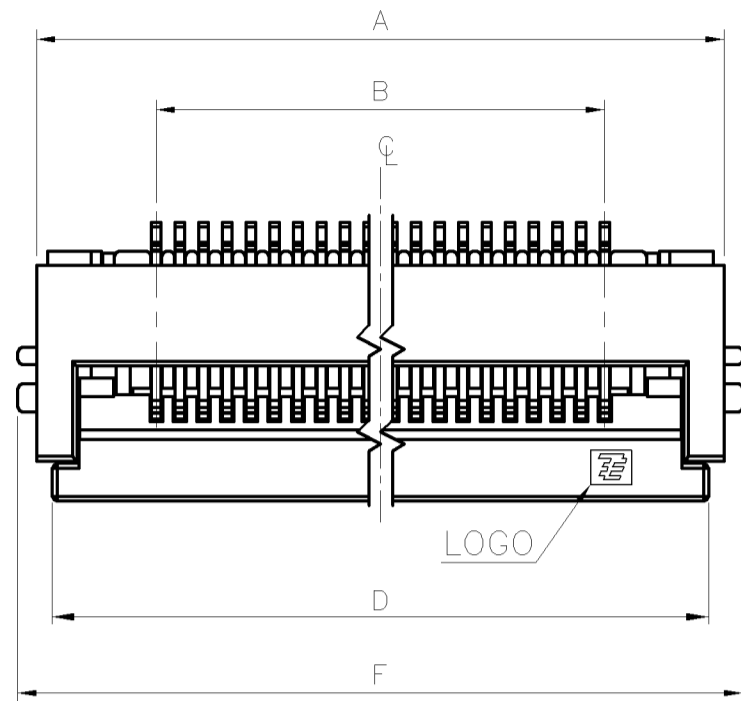


THIS DRAWING IS UNPUBLISHED. RELEASED FOR PUBLICATION  
 © COPYRIGHT 2010 BY TYCO ELECTRONICS CORPORATION. ALL RIGHTS RESERVED.

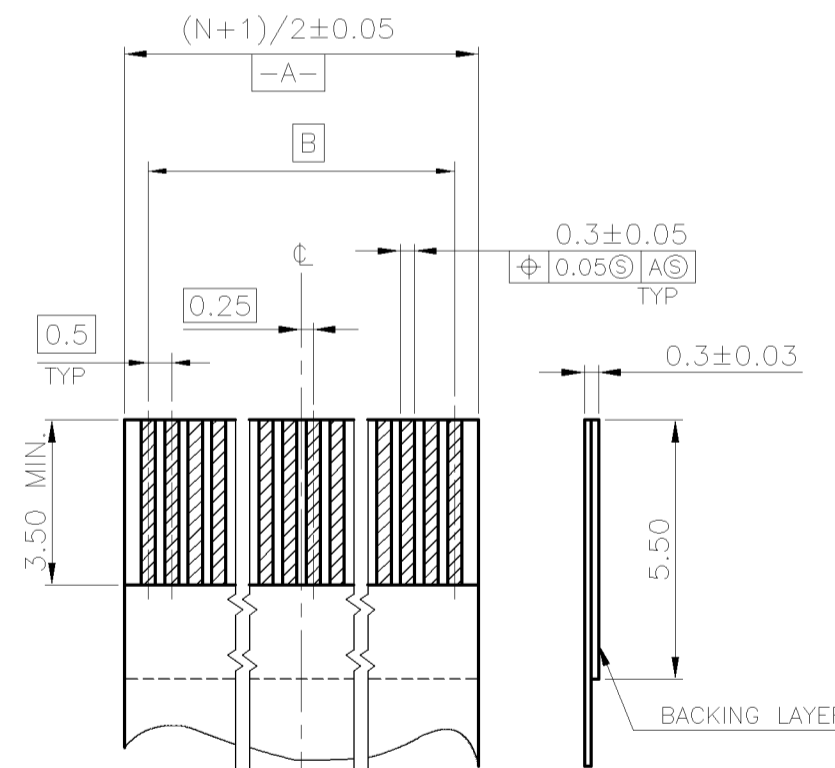
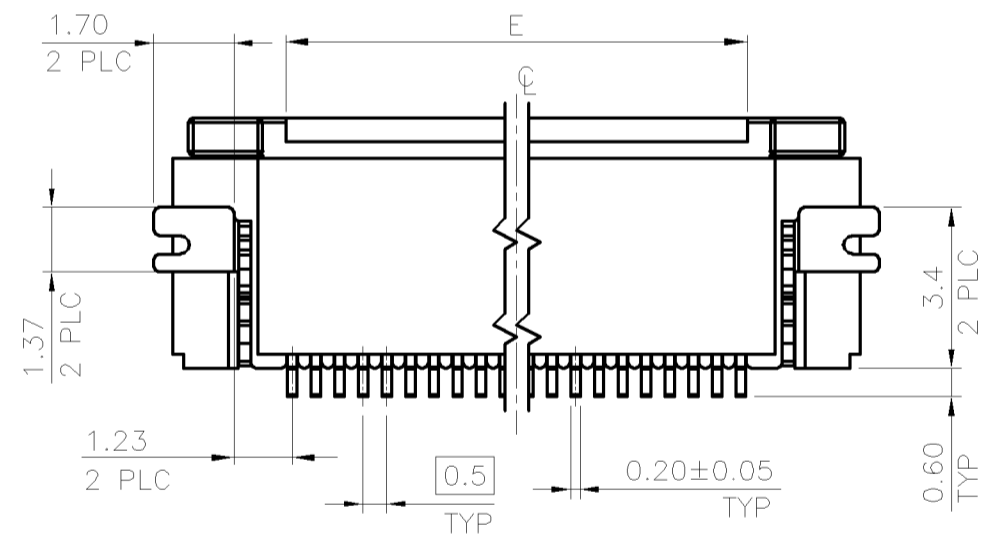
LOC	DIST	REVISIONS					
DW	-	P	LTR	DESCRIPTION	DATE	DWN	APVD
		F		OBSELETE	08JAN16	H.X	W.H

NOTES:

- MATERIAL:  
 HOUSING: LCP WITH 30% GF, UL94 V-0, NATURAL COLOR.  
 ACTUATOR: LCP WITH 40% GF, UL94 V-0, BLACK COLOR.  
 CONTACTS: PHOSPHOR BRONZE.  
 PEGS: BRASS.
- FINISH:  
 CONTACTS: 0.0762µm [3µ"] MIN. GOLD PLATED ON CONTACT AREA, GOLD FLASH ON SOLDER TAIL, WITH ENTIRE CONTACT UNDERPLATED 1.27µm [50µ"] MIN. NICKEL.  
 PEGS: 2.54µm [100µ"] MIN. MATTE-TIN OVER 1.27µm [50µ"] MIN. NICKEL.
- REFLOW SOLDER CAPABLE TO 260°C PER TEC-109-201, CONDITION B.
- SUBSTANCE RESTRICTIONS FOR LOW HALOGEN (BY WEIGHT):
  - BROMINE (Br) ≤ 900 PPM (0.09%)
  - CHLORINE (Cl) ≤ 900 PPM (0.09%)
  - TOTAL CONCENTRATION OF CHLORINE (Cl) + BROMINE (Br) ≤ 1500 PPM (0.15%)



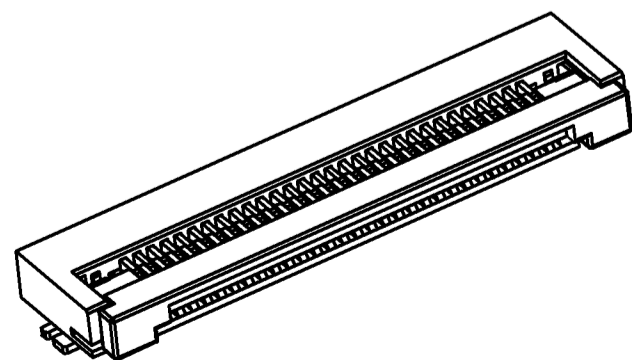
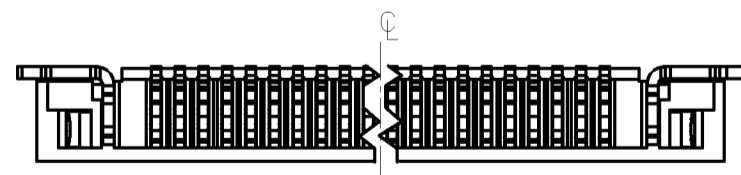
TOLERANCE: ±0.08  
 RECOMMENDED P.C.B. LAYOUT  
 (TOP VIEW)



(N = NO. OF CONTACTS)  
 RECOMMENDED FPC/FFC LAYOUT

OBSELETE

20.37	14.78	18.91	15.60	14.50	19.57	30	3-2041070-0
18.37	12.78	16.91	13.60	12.50	17.57	26	2-2041070-6
15.37	9.78	13.91	10.60	9.50	14.57	20	2-2041070-0
14.37	8.78	12.91	9.60	8.50	13.57	18	1-2041070-8
13.37	7.78	11.91	8.60	7.50	12.57	16	1-2041070-6
11.37	5.78	9.91	6.60	5.50	10.57	12	1-2041070-2
10.37	4.78	8.91	5.60	4.50	9.57	10	1-2041070-0
9.37	3.78	7.91	4.60	3.50	8.57	8	2041070-8
8.37	2.78	6.91	3.60	2.50	7.57	6	2041070-6
7.37	1.78	5.91	2.60	1.50	6.57	4	2041070-4
F	E	D	C	B	A	NO. OF CONTACTS	PART NUMBER



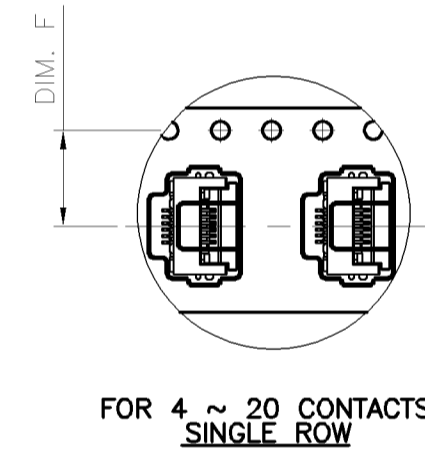
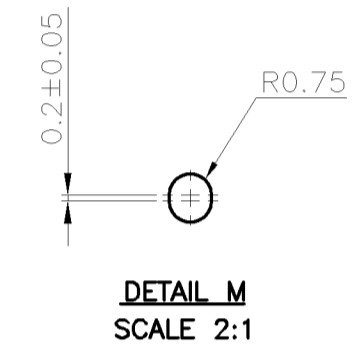
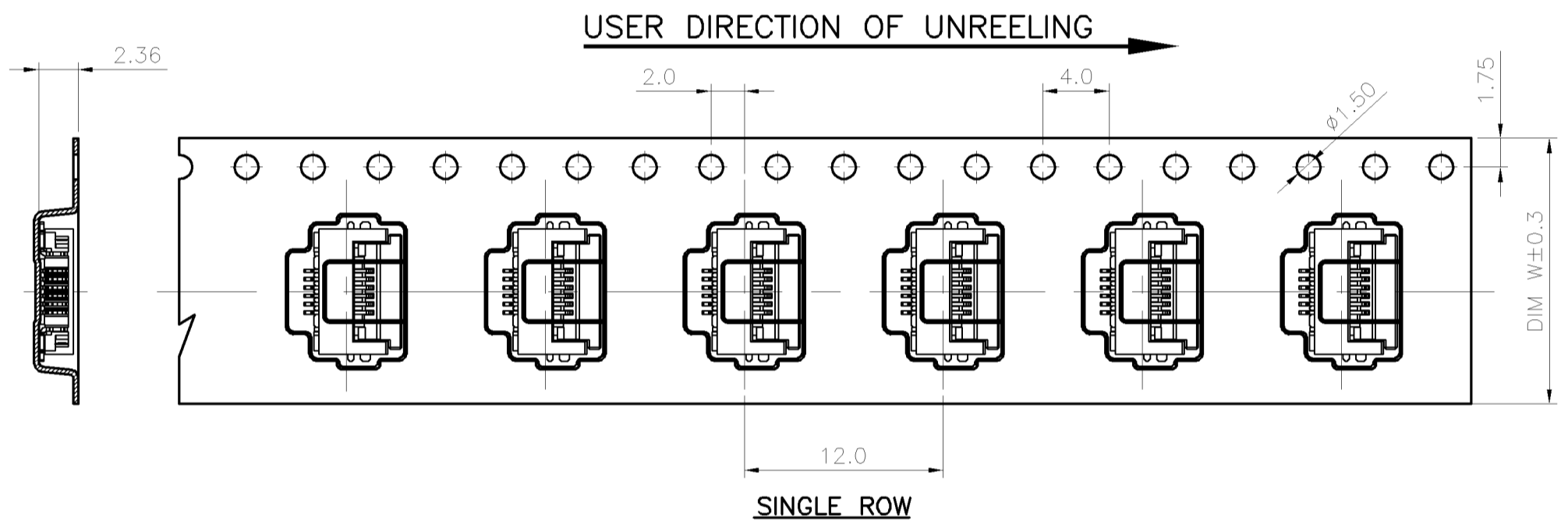
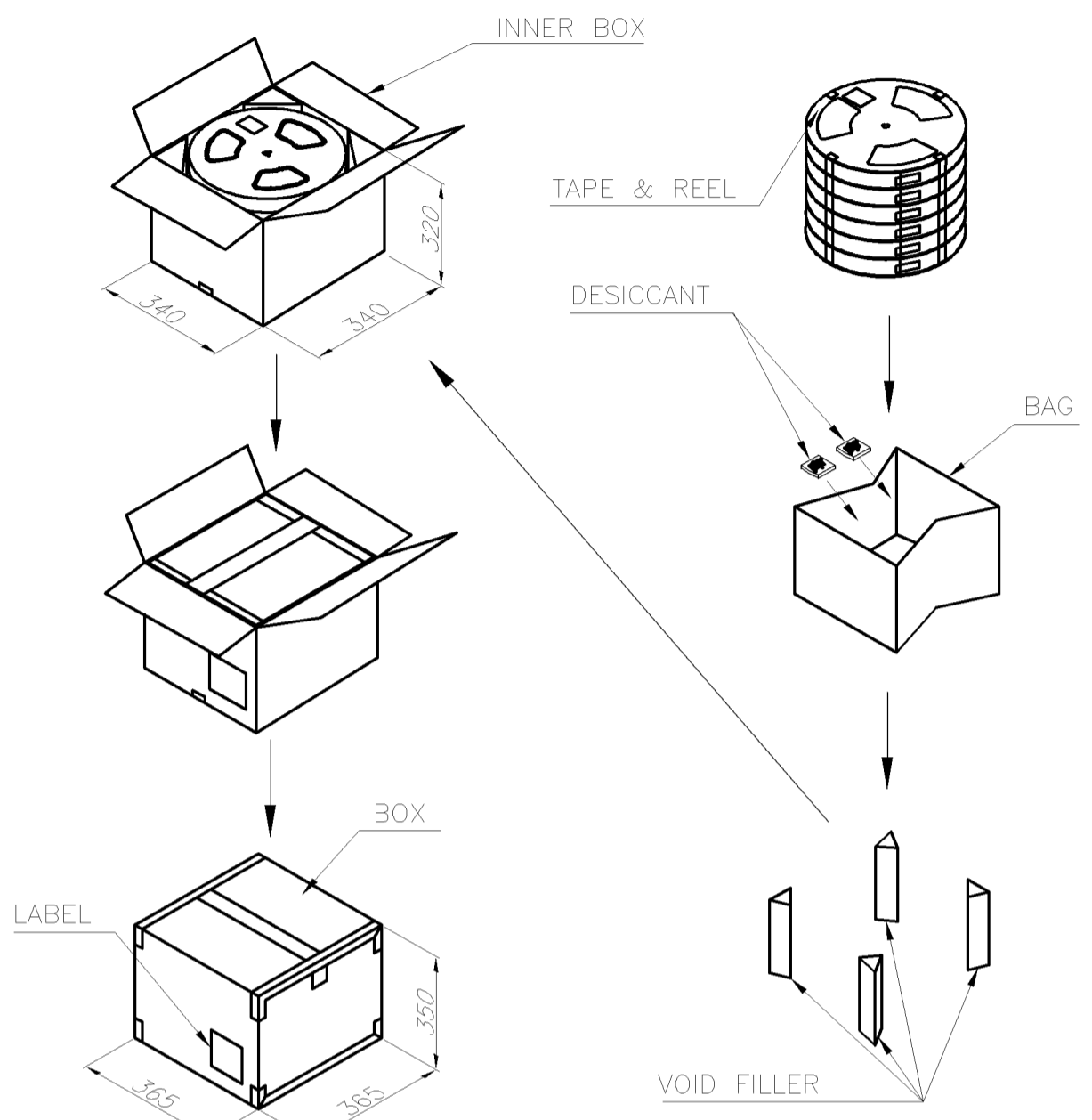
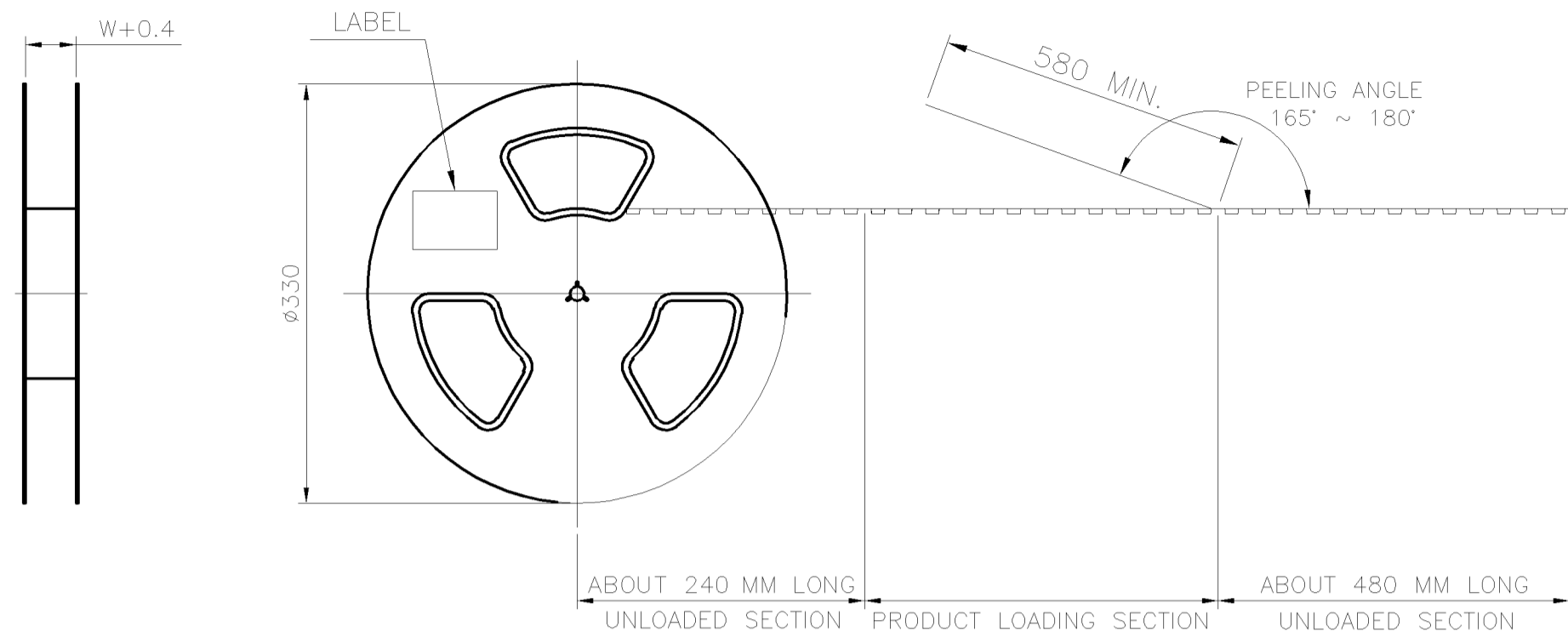
THIS DRAWING IS A CONTROLLED DOCUMENT.

DIMENSIONS: MM	TOLERANCES UNLESS OTHERWISE SPECIFIED:	DWN A. WU 13JUN2008	CHK S. CHIEN 13JUN2008	APVD W. KODAMA 13JUN2008	NAME
0 PLC ±	1 PLC ±0.3	Tyco Electronics Corporation			Taipei, Taiwan
2 PLC ±0.2	3 PLC ±	FPC CONNECTOR, 0.5 PITCH, 105° ZIF, BOTTOM CONTACT			RESTRICTED TO
4 PLC ±	ANGLES ±3°	PRODUCT SPEC 108-57364	SIZE A2	CAGE CODE 00779	DRAWING NO C=2041070
MATERIAL SEE NOTE	FINISH SEE NOTE	WEIGHT -	SCALE -	SHEET 1 of 2	REV F

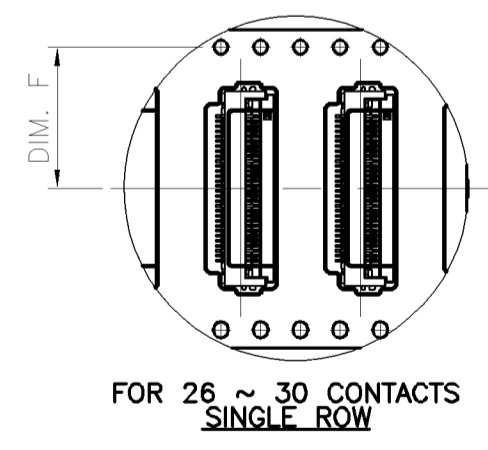
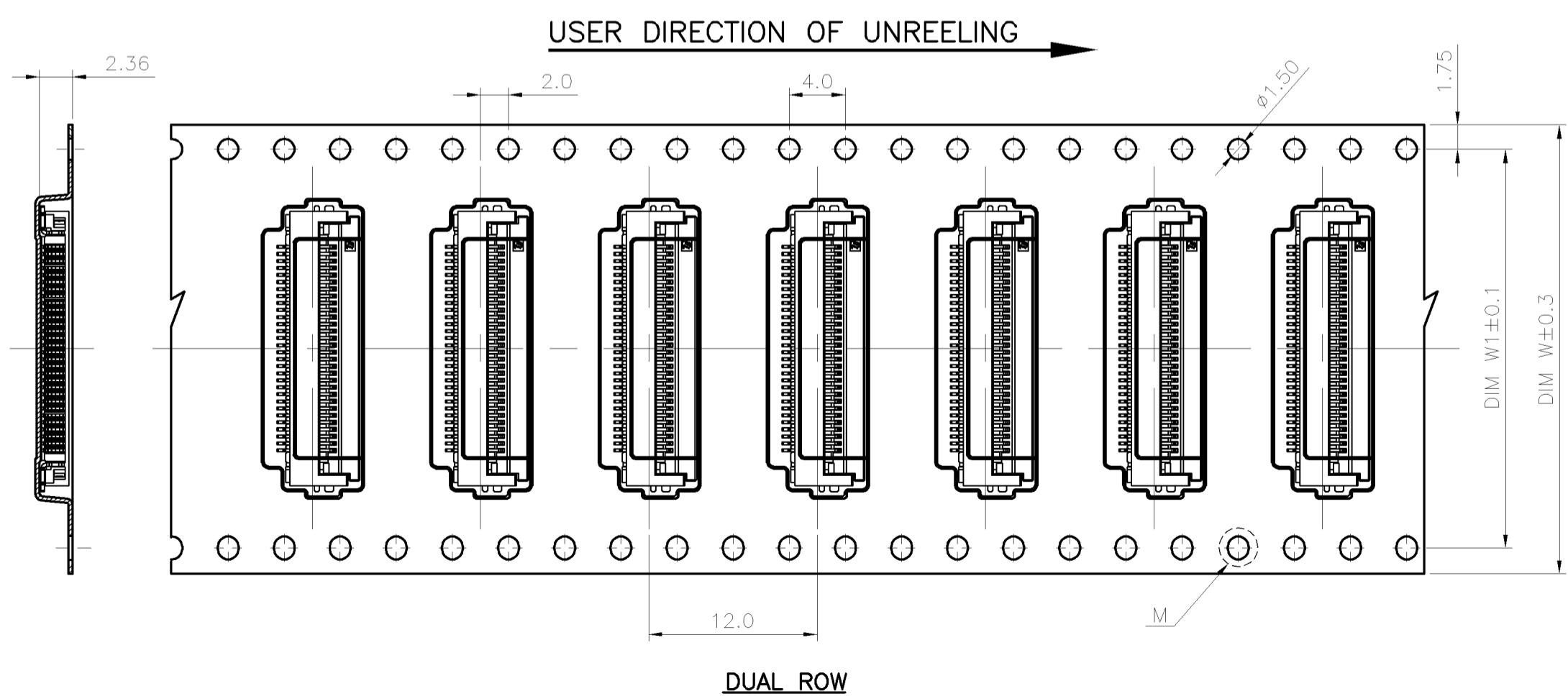
CUSTOMER DRAWING

THIS DRAWING IS UNPUBLISHED. RELEASED FOR PUBLICATION  
 © COPYRIGHT 2010 BY TYCO ELECTRONICS CORPORATION. ALL RIGHTS RESERVED.

LOC	DIST	REVISIONS			
P	LTR	DESCRIPTION	DATE	DWN	APVD
DW	-	SEE SHEET 1.			



FOR 4 ~ 20 CONTACTS  
SINGLE ROW



FOR 26 ~ 30 CONTACTS  
SINGLE ROW

QUANTITY	PCS/TAPE	REELS/BOX	DIM W1	DIM F	DIM W	G/W(Kg)	N/W(Kg)	NO. OF CONTACTS
16000 PCS	2000	8	28.4	14.2	32	12.85	5.80	30
						11.75	5.14	26
						11.62	5.40	20
20000 PCS	2000	10	/	11.5	24	11.50	5.00	18
						11.35	4.52	16
						10.75	3.76	12
						10.45	3.50	10
26000 PCS	2000	13	/	7.50	16	10.35	3.49	8
						10.25	3.48	6
						10.18	3.05	4

THIS DRAWING IS A CONTROLLED DOCUMENT.

DWN	A. WU	13JUN2008	Tyco Electronics Corporation Taipei, Taiwan
CHK	S. CHIEN	13JUN2008	
APVD	W. KODAMA	13JUN2008	
PRODUCT SPEC			
APPLICATION SPEC			NAME
WEIGHT	-		SIZE
CUSTOMER DRAWING			CAGE CODE
			DRAWING NO
			RESTRICTED TO

**FPC CONNECTOR, 0.5 PITCH, 105° ZIF, BOTTOM CONTACT**

SCALE: A2 00779 C=2041070 SHEET 2 OF 2 REV F