

THIS DRAWING IS UNPUBLISHED. RELEASED FOR PUBLICATION 20
 © COPYRIGHT 20 BY - ALL RIGHTS RESERVED.

REVISIONS				
P	LTR	DESCRIPTION	DATE	APVD
A2		2314291-2; 1-2314291-2 RELEASED	31JUL2018	SM

ABSOLUTE MAXIMUM RATINGS	SYMBOL	MIN	MAX	UNIT
STORAGE TEMPERATURE	Tstg	-40	85	°C
POWER SUPPLY INPUT VOLTAGE	Vdd	3.1	3.5	VDC
TOTAL SYSTEM CURRENT DRAW	Id	x	33	mA

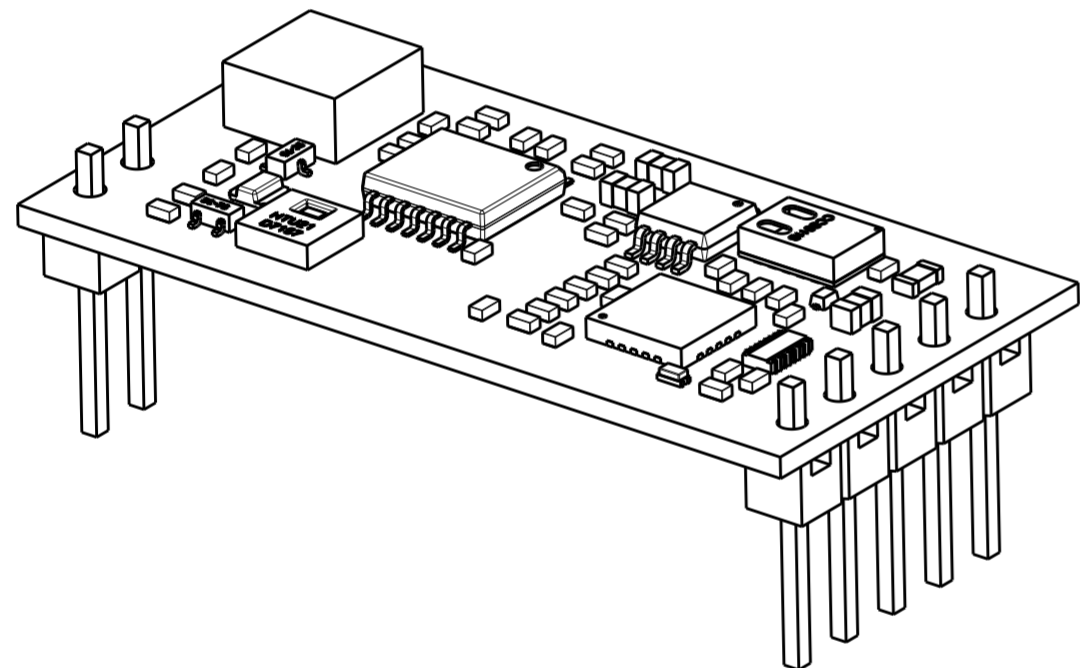
ELECTRICAL CHARACTERISTICS	MIN	MAX	UNIT
ANALOG AUDIO OUTPUT SENSITIVITY	-25	-19	dBV
ANALOG AUDIO OUTPUT FREQ RANGE	100	10k	Hz

ENVIRONMENTAL CHARACTERISTICS	MIN	MAX	UNIT
OPERATING TEMPERATURE	-5	50	°C
RELATIVE HUMIDITY OPERATING, NON-CONDENSING ENVIRONMENT	5	95	%

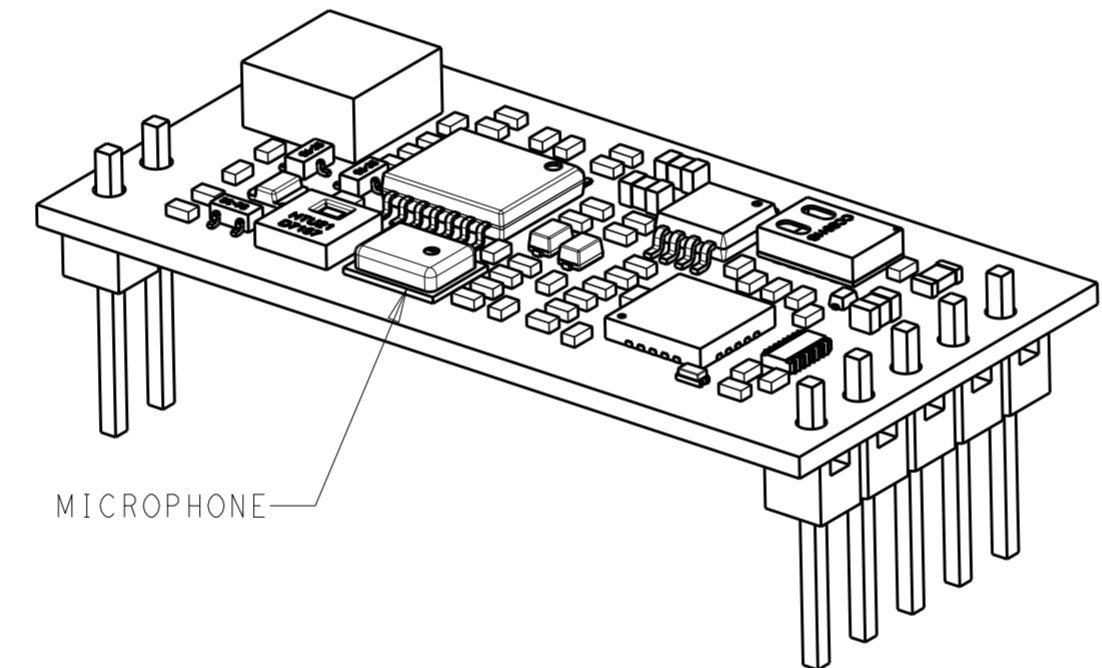
ITEM: SENSOR	SENSOR PERFORMANCE
1: TEMPERATURE	-5°C TO +50°C ±0.3°C ACCURACY, 1 SECOND ACQUISITION RATE
2: RELATIVE HUMIDITY	5% TO 95% RH, 2% ACCURACY, 1 SECOND ACQUISITION RATE
3: MOTION	INTERRUPT DRIVEN, RESPONSE <0.5 SECS.
4: AMBIENT LIGHT LEVELS	1 SECOND ACQUISITION RATE
5: MICROPHONE	INTERRUPT DRIVEN, RESPONSE <0.5 SECS.
6: EQUIVALENT CO2	400-8192 ppm, 60 SECOND ACQUISITION RATE
7: VOC	0-1187 ppb, 60 SECOND ACQUISITION RATE

NOTES:

- THIS PRODUCT HAS NOT COMPLETED VALIDATION TESTING.
- MUST COMPLY WITH DIRECTIVE 2002/95/EC (ROHS).
- SEPARATE LENS AVAILABLE UNDER TE P/N: 2317697-1.

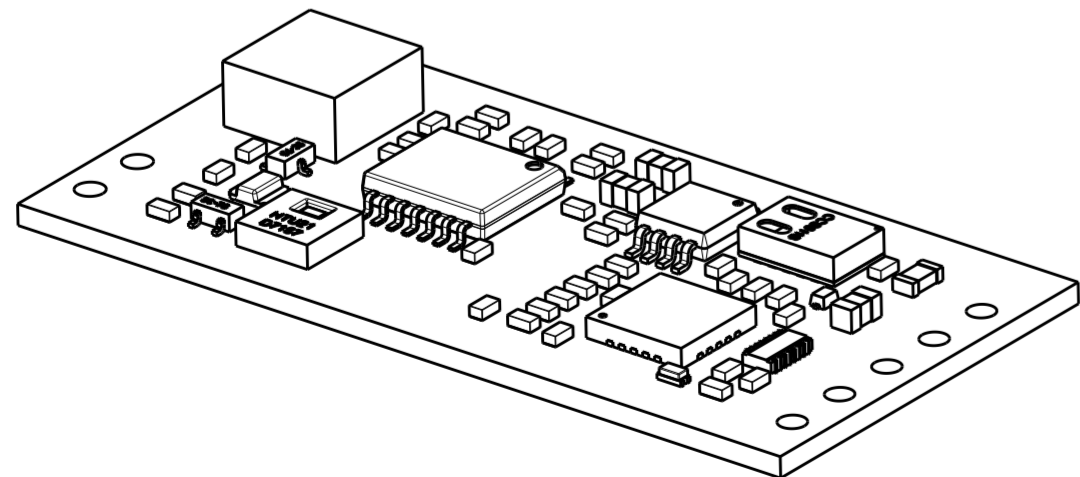
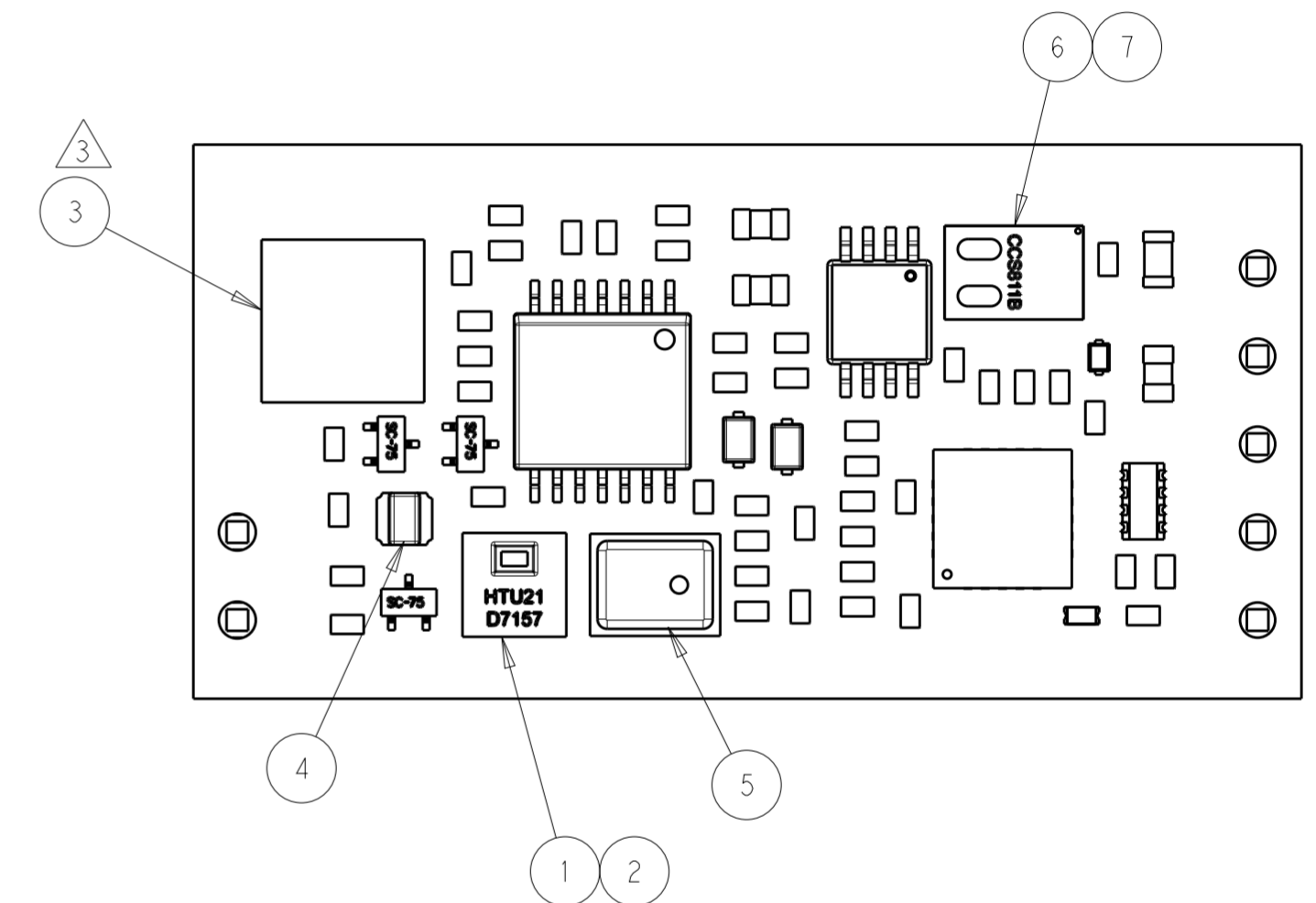


2314291-1 SHOWN

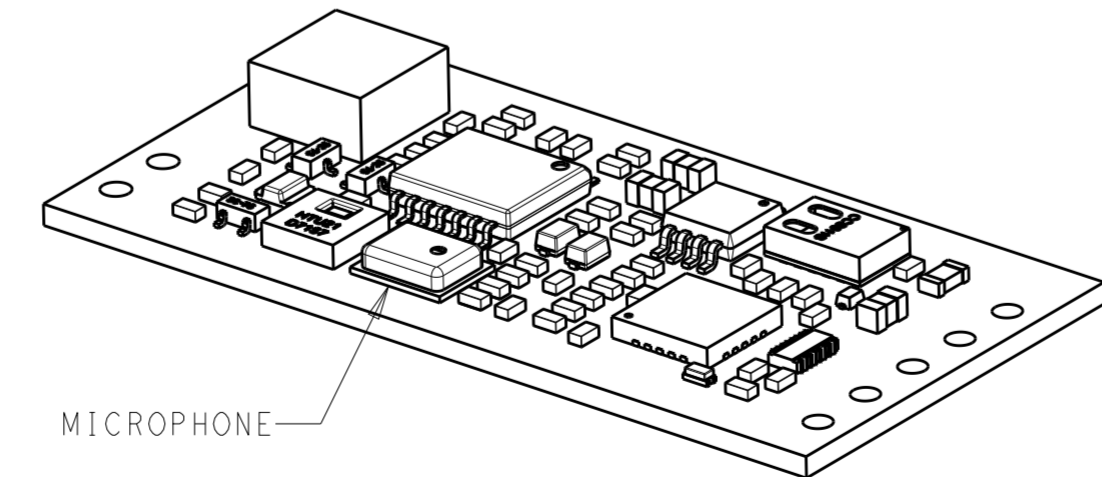


MICROPHONE

2314291-2 SHOWN



1-2314291-1 SHOWN



MICROPHONE

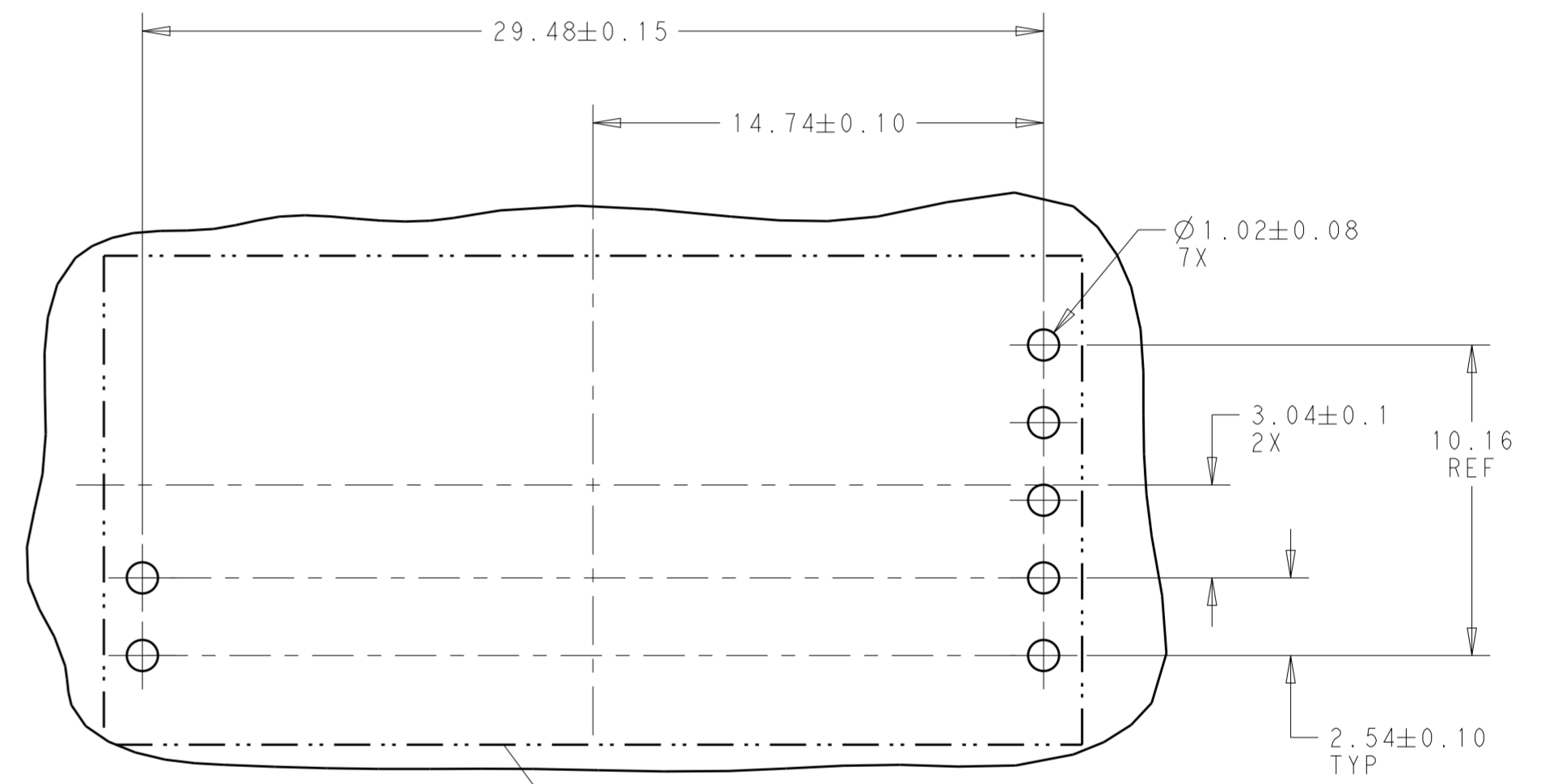
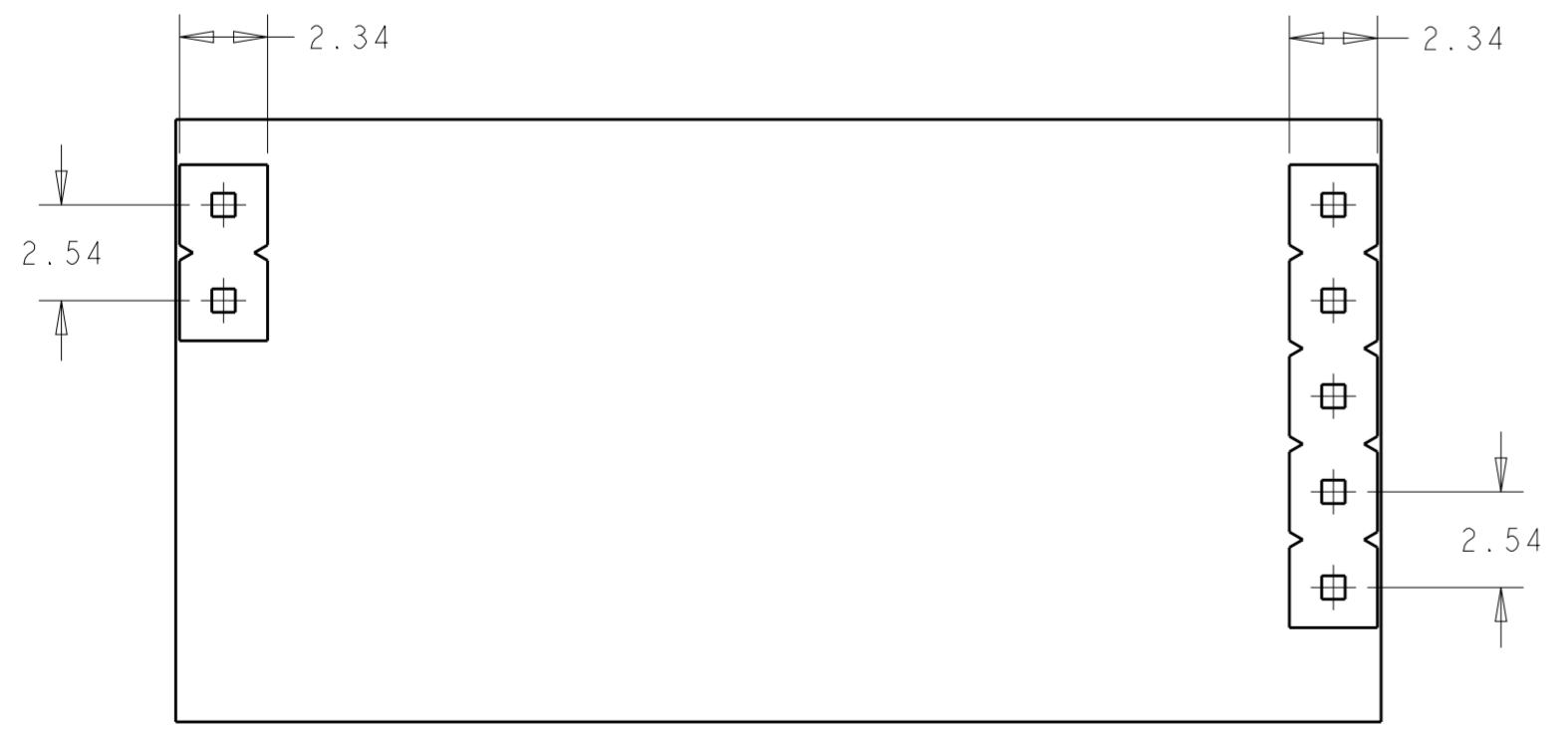
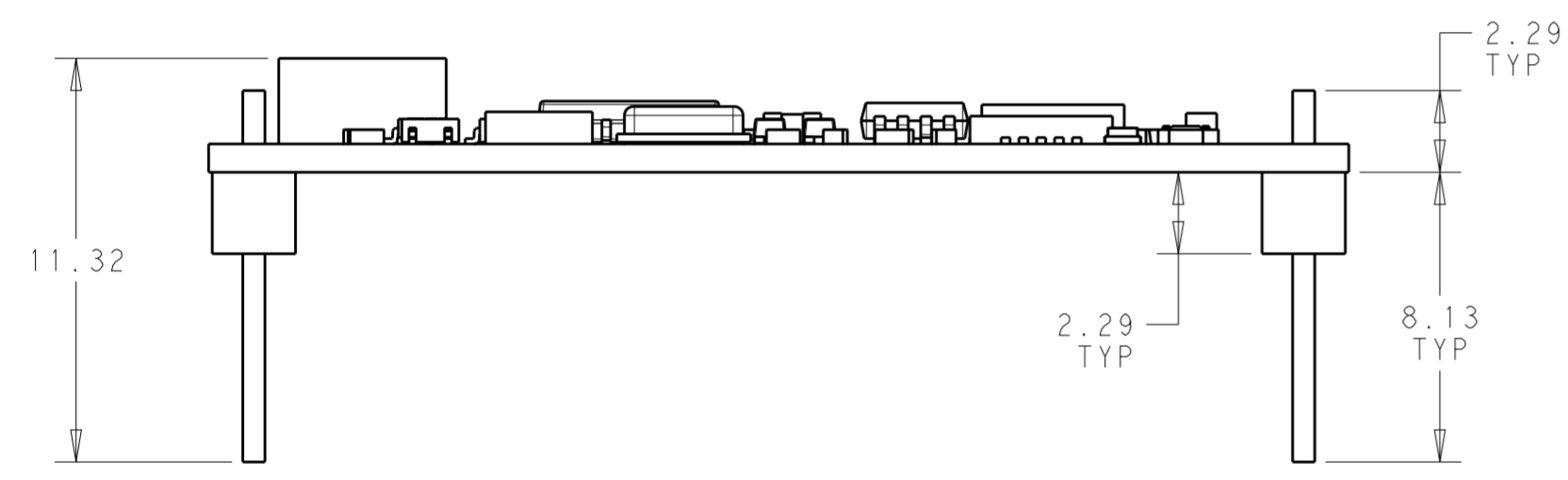
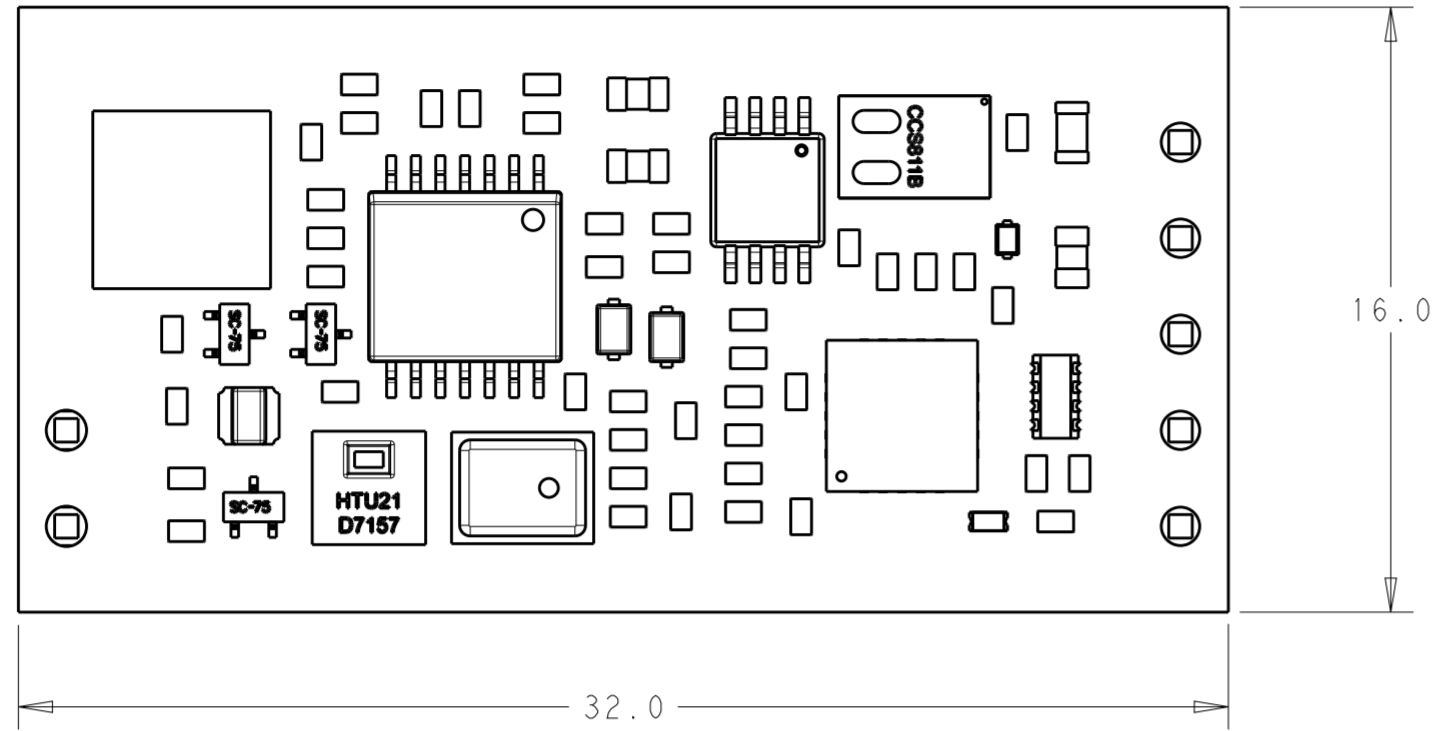
1-2314291-2 SHOWN

w/MICROPHONE, w/Ø HEADER, w/CO2	A	1-2314291-2
w/Ø MICROPHONE, w/Ø HEADER, w/CO2	A	1-2314291-1
w/MICROPHONE, w/HEADER, w/CO2	A	2314291-2
w/Ø MICROPHONE, w/HEADER, w/CO2	A	2314291-1
COMMENTS	REV	PART NO.

THIS DRAWING IS A CONTROLLED DOCUMENT.		DWN J. SHAFFER 10MAR2017	STE TE Connectivity	
		CHK C. GINGRICH 10MAR2017		
DIMENSIONS:	TOLERANCES UNLESS OTHERWISE SPECIFIED:	APVD -	NAME AMBIMATE, MSM4 SENSOR MODULE, THRU HOLE, WITH CO2	
mm	0 PLC ±	PRODUCT SPEC 108-133092	SIZE A2	CAGE CODE -
	1 PLC ±0.4	APPLICATION SPEC 114-133092	DRAWING NO G-2314291	RESTRICTED TO -
	2 PLC ±0.25	WEIGHT -	SCALE 3:1	SHEET 1 OF 2
	3 PLC ±	CUSTOMER DRAWING	REV A2	
	4 PLC ±			
	ANGLES ±			
	FINISH -			

THIS DRAWING IS UNPUBLISHED. RELEASED FOR PUBLICATION 20
 © COPYRIGHT 20 BY - ALL RIGHTS RESERVED.

REVISIONS				
P	LTR	DESCRIPTION	DATE	APVD
-	-	SEE SHEET 1	-	-



SUGGESTED PCB LAYOUT

THIS DRAWING IS A CONTROLLED DOCUMENT.		DWN J. SHAFFER 10MAR2017	TE Connectivity	
DIMENSIONS: mm		CHK C. GINGRICH 10MAR2017		
TOLERANCES UNLESS OTHERWISE SPECIFIED:		APVD -	NAME AMBIMATE, MSM4 SENSOR MODULE, THRU HOLE, WITH CO2	
0 PLC ±	1 PLC ±0.4	PRODUCT SPEC 108-133092	SIZE A2	CAGE CODE -
2 PLC ±0.25	3 PLC ±	APPLICATION SPEC 114-133092	DRAWING NO G-2314291	RESTRICTED TO -
4 PLC ±	ANGLES ±	WEIGHT -	SCALE 3:1	SHEET 2 OF 2
MATERIAL -	FINISH -	CUSTOMER DRAWING	REV A2	