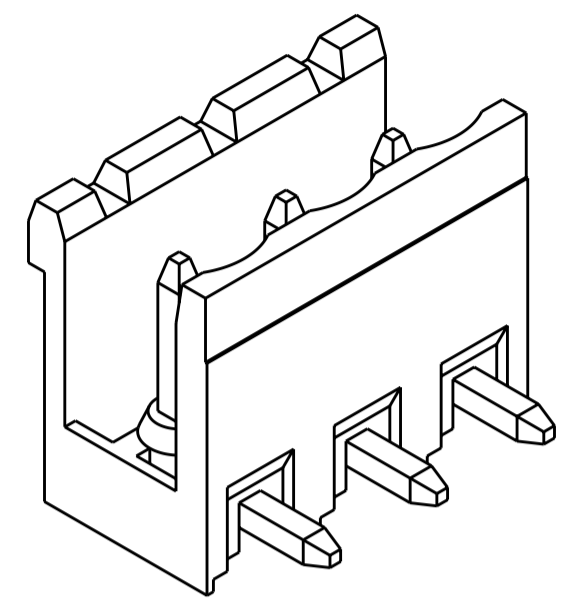
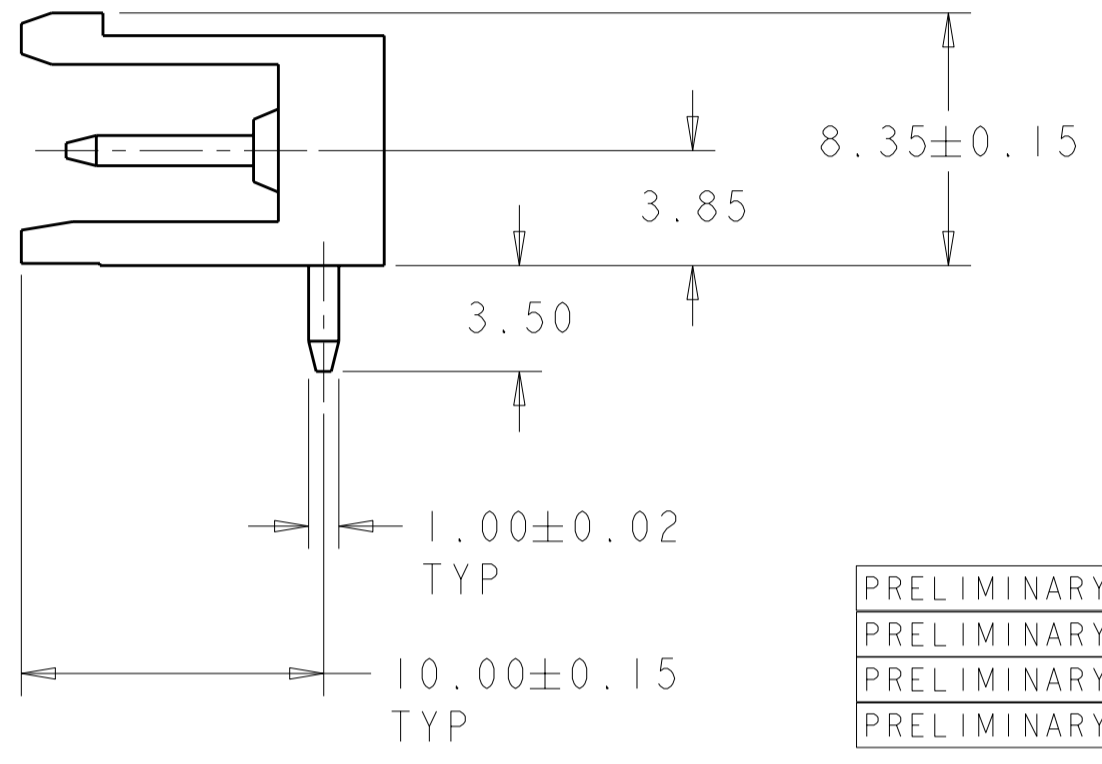
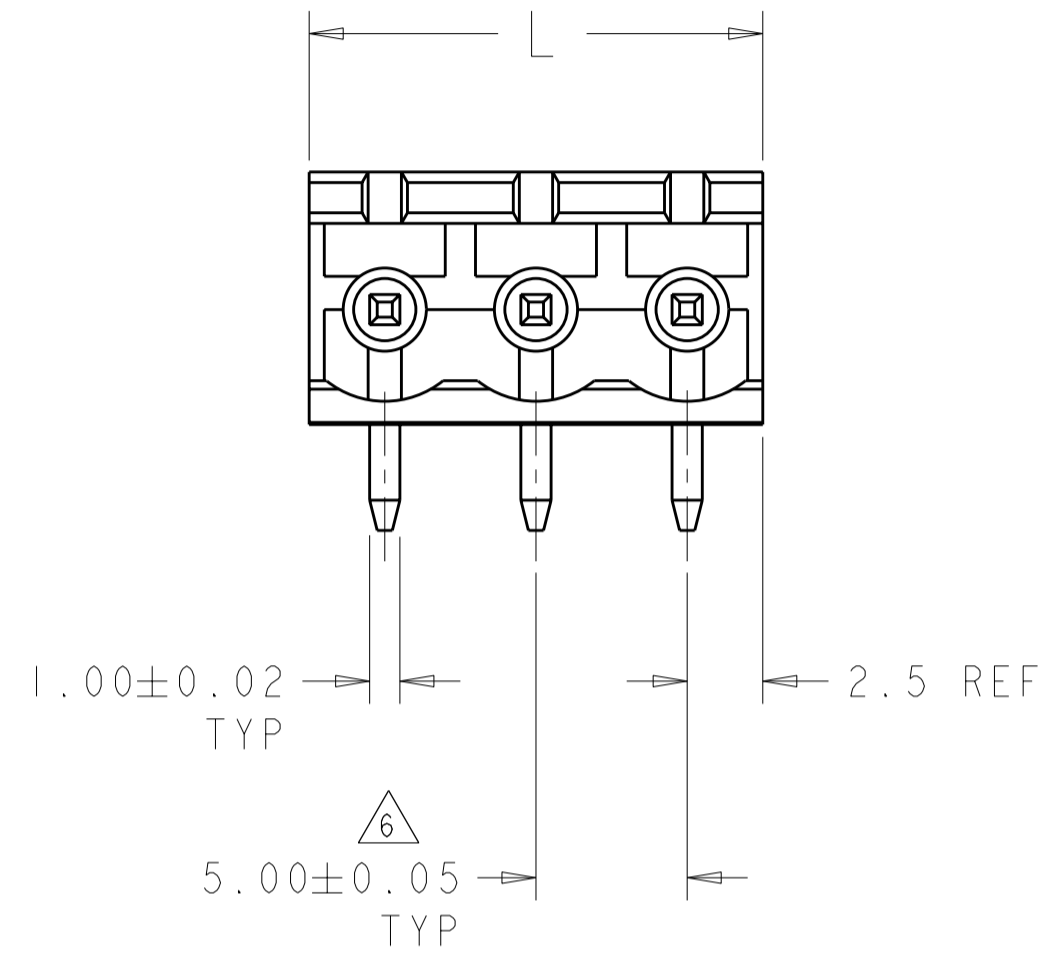


THIS DRAWING IS UNPUBLISHED. RELEASED FOR PUBLICATION 20
 © COPYRIGHT 20 BY - ALL RIGHTS RESERVED.

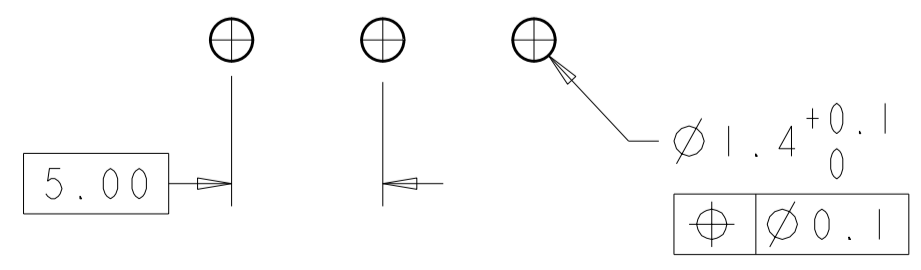
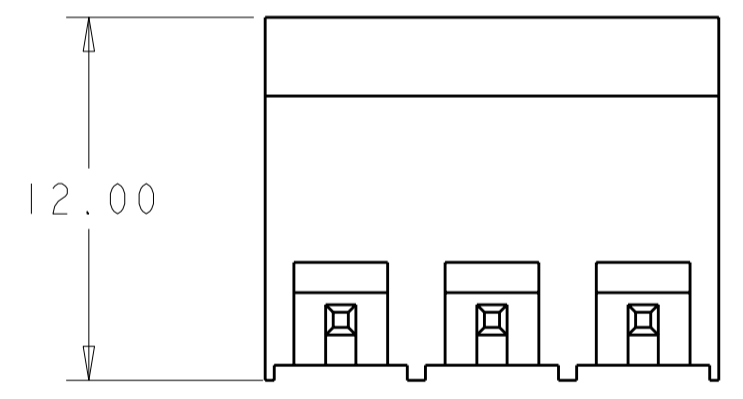
LOC		DIST		REVISIONS			
P	LTR	DESCRIPTION	DATE	DWN	APVD		
	D4	REVISED PER ECO-12-007964	02MAY2012	KH	MS		



282812-3 AS SHOWN

PRELIMINARY	COLOR	PLATING	SPECIAL	L	NO OF POSN	PART NUMBER
PRELIMINARY	GREEN	MATTE TIN	-		15.0	3-282812-7
PRELIMINARY	ORANGE	TIN	-		75.0	3-282812-6
PRELIMINARY	ORANGE	TIN	-		65.0	3-282812-5
PRELIMINARY	ORANGE	TIN	-		15.0	3-282812-4
	GREEN	0.76um GOLD	-		15.0	3-282812-3
	GREEN	TIN	SEE DETAIL M		55.0	3-282812-1
	GREEN	TIN	-		125.0	2-282812-5
	GREEN	TIN	-		120.0	2-282812-4
	GREEN	TIN	-		115.0	2-282812-3
	GREEN	TIN	-		110.0	2-282812-2
	GREEN	TIN	-		105.0	2-282812-1
	GREEN	TIN	-		100.0	2-282812-0
	GREEN	TIN	-		95.0	1-282812-9
	GREEN	TIN	-		90.0	1-282812-8
	GREEN	TIN	-		85.0	1-282812-7
	GREEN	TIN	-		80.0	1-282812-6
	GREEN	TIN	-		75.0	1-282812-5
	GREEN	TIN	-		70.0	1-282812-4
	GREEN	TIN	-		65.0	1-282812-3
	GREEN	TIN	-		60.0	1-282812-2
	GREEN	TIN	-		55.0	1-282812-1
	GREEN	TIN	-		50.0	1-282812-0
	GREEN	TIN	-		45.0	282812-9
	GREEN	TIN	-		40.0	282812-8
	GREEN	TIN	-		35.0	282812-7
	GREEN	TIN	-		30.0	282812-6
	GREEN	TIN	-		25.0	282812-5
	GREEN	TIN	-		20.0	282812-4
	GREEN	TIN	-		15.0	282812-3
	GREEN	TIN	-		10.0	282812-2

- 1. MATERIALS AND FINISH
 HOUSING: PA 6-6, UL 94-V0, COLOR: SEE TABLE.
 TERMINAL: COPPER ALLOY, SEE TABLE.
- 2. SUITABLE FOR 1,6-2,4mm PC BOARD THICKNESS.
- 3. END-TO-END STACKABLE WITHOUT LOSS OF CENTERLINE SPACING.
- 4. RECOGNIZED UNDER THE COMPONENT PROGRAM OF UNDERWRITERS LABORATORIES INC. FILE N° E60677.
- 5. IMQ CERTIFICATE WITH SURVEILLANCE IN CONFORMITY WITH IEC 998-1/998-2-1.
- 6. NOT CUMULATIVE TOLERANCE.
- 7. BUCHANAN LOGO TO APPEAR ON HOUSING, LOCATION OPTIONAL WHERE SPACE PERMITS.
- 8. SELECTIVELY LOADED IN POSITIONS 1, 4, 5, 8 & 11.



RECOMMENDED PC BOARD LAYOUT

THIS DRAWING IS A CONTROLLED DOCUMENT.		DWN S. WELDON 12SEP2002	TE Connectivity STE	
DIMENSIONS: mm		CHK C. RICHARD 12SEP2002		
TOLERANCES UNLESS OTHERWISE SPECIFIED:		APVD C. RICHARD 12SEP2002		
0 PLC ±.2 1 PLC ±.2 2 PLC ±.25 3 PLC ±. 4 PLC ±. ANGLES ±2 FINISH		PRODUCT SPEC 108-20166 APPLICATION SPEC 114-20079 WEIGHT -		
MATERIAL		CUSTOMER DRAWING	NAME TERMINAL BLOCK HEADER ASSEMBLY 90 DEGREE, OPEN ENDS, STACKING 5.00mm PITCH SIZE A200779 CAGE CODE C-282812 DRAWING NO. 282812 RESTRICTED TO -	
		SCALE 3:1	SHEET 1 OF 2 REV D4	

4

3

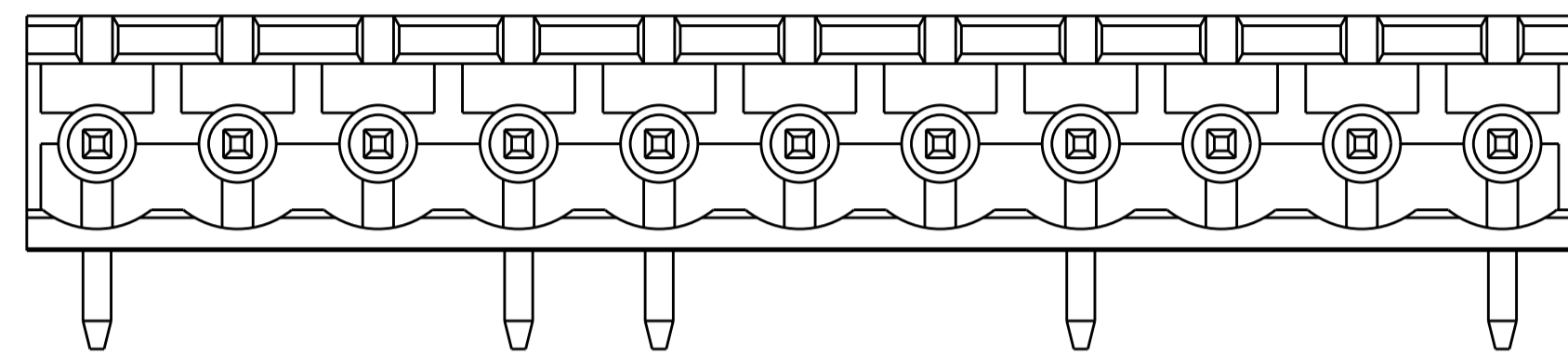
2

1


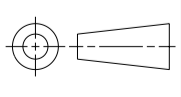
THIS DRAWING IS UNPUBLISHED. RELEASED FOR PUBLICATION 20

© COPYRIGHT 20 BY - ALL RIGHTS RESERVED.

LOC	DIST	REVISIONS			
P	LTR	DESCRIPTION	DATE	DWN	APVD
FT	0	-	SEE SHEET 1	-	-



△
DETAIL M

THIS DRAWING IS A CONTROLLED DOCUMENT.		DWN S. WELDON	12SEP2002	 TE Connectivity
DIMENSIONS:		CHK C. RICHARD	12SEP2002	
mm		APVD C. RICHARD	12SEP2002	
		PRODUCT SPEC		
TOLERANCES UNLESS OTHERWISE SPECIFIED:		APPLICATION SPEC		NAME TERMINAL BLOCK HEADER ASSEMBLY 90 DEGREE, OPEN ENDS, STACKING 5.00mm PITCH
0 PLC	±-	WEIGHT		SIZE A200779
1 PLC	±.2	CUSTOMER DRAWING		CAGE CODE C-282812
2 PLC	±.25	SCALE 3:1		DRAWING NO 282812
3 PLC	±-	SHEET 2 OF 2		RESTRICTED TO
4 PLC	±-	REV D3		
ANGLES	±2			
FINISH				