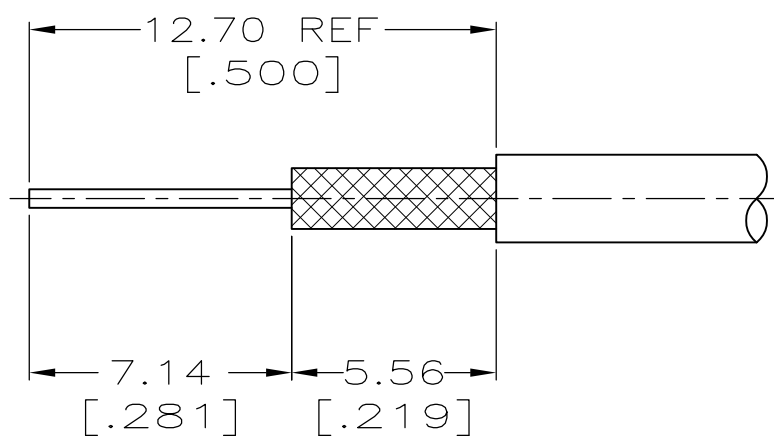
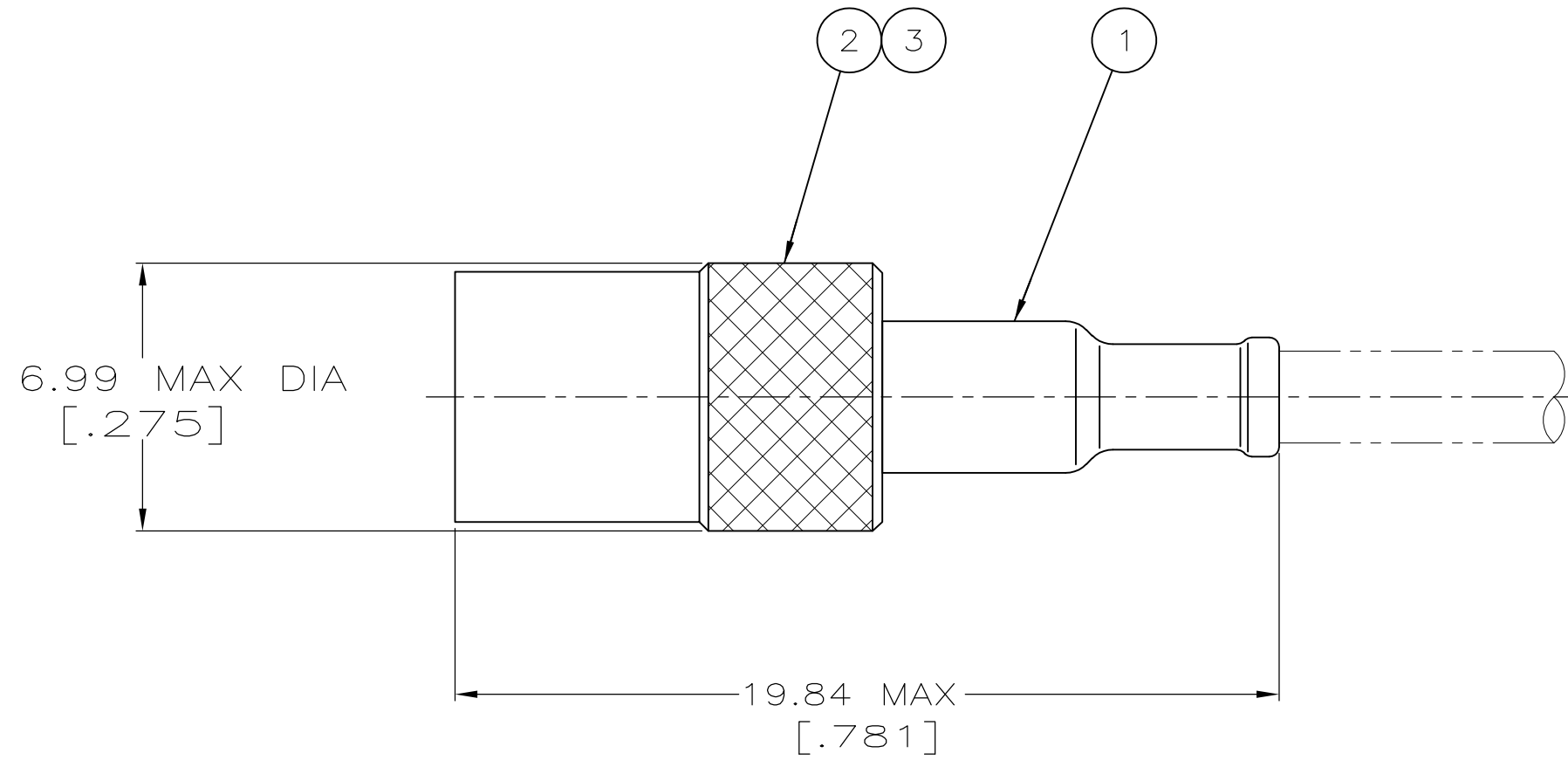


THIS DRAWING IS UNPUBLISHED. RELEASED FOR PUBLICATION, 19
 © COPYRIGHT 19 BY AMP INCORPORATED. ALL INTERNATIONAL RIGHTS RESERVED.

LOC	DIST	P	F	ZONE	LTR	DESCRIPTION	DATE	DWN	APPD
AJ	16	✓	✓		G	REDWN & OBS PN 330723 PER AJ-2431	06-20-91		BMW
					H	REV PER 0130-0161-92	03-22-93		BMW
					J	REVISED PER 0503-0017-96	10-3-96		JG
					K	REVISED PER 0503-0166-97	4-7-97		JG
					KI	REVISED PER ECO-09-021510	04SEP09	KK	AEG

1. PARTS PACKAGED UNASSEMBLED
2. CRIMP TOOL: 69143
3. SEE I.S. 1771
4. OBSOLETE PARTS: OBSOLETE CIS STREAMLINING PER D.RENAUD/D.SINISI



RECOMMENDED STRIP LENGTH

CABLE SIZE	3	2	1	PART NUMBER
RG-180/U,180A/U & 195/U	330595-1	1-328695-3	3-329049-0	1-330723-2
RG-180/U,180A/U & 195/U	330595	1-328695-2	329049	1-330723-1
RG-180/U,180A/U & 195/U	330595	328695	329049	1-330723-0
	PLUG ASSY QTY=1	COLLAR, RETAINING QTY=1	FERRULE QTY=1	

DO NOT SCALE PRINT. UNLESS SPECIFIED DIMENSIONS IN mm [INCHES] TOLERANCES ON :		DR 6-20-91 B.WERNER		AMP AMP Incorporated Harrisburg, PA 17105-3608	
2 PLC DEC ± 0.41 [0.16]		CHK 23/APR/93 G.MICHAEL		NAME	
3 PLC DEC ± -		APPD 23/APR/93 G.MICHAEL		PLUG, THREADED, MINIATURE SERIES	
ANGLES ± -		APPD 23/APR/93 J.DAVIS			
MATERIAL -		PRODUCT SPEC 108-12013		SIZE	CAGE CODE
FINISH -		APPLICATION SPEC -		C 00779	DRAWING NO
		WEIGHT -		SCALE 5:1	330723
					SHEET 1 OF 1