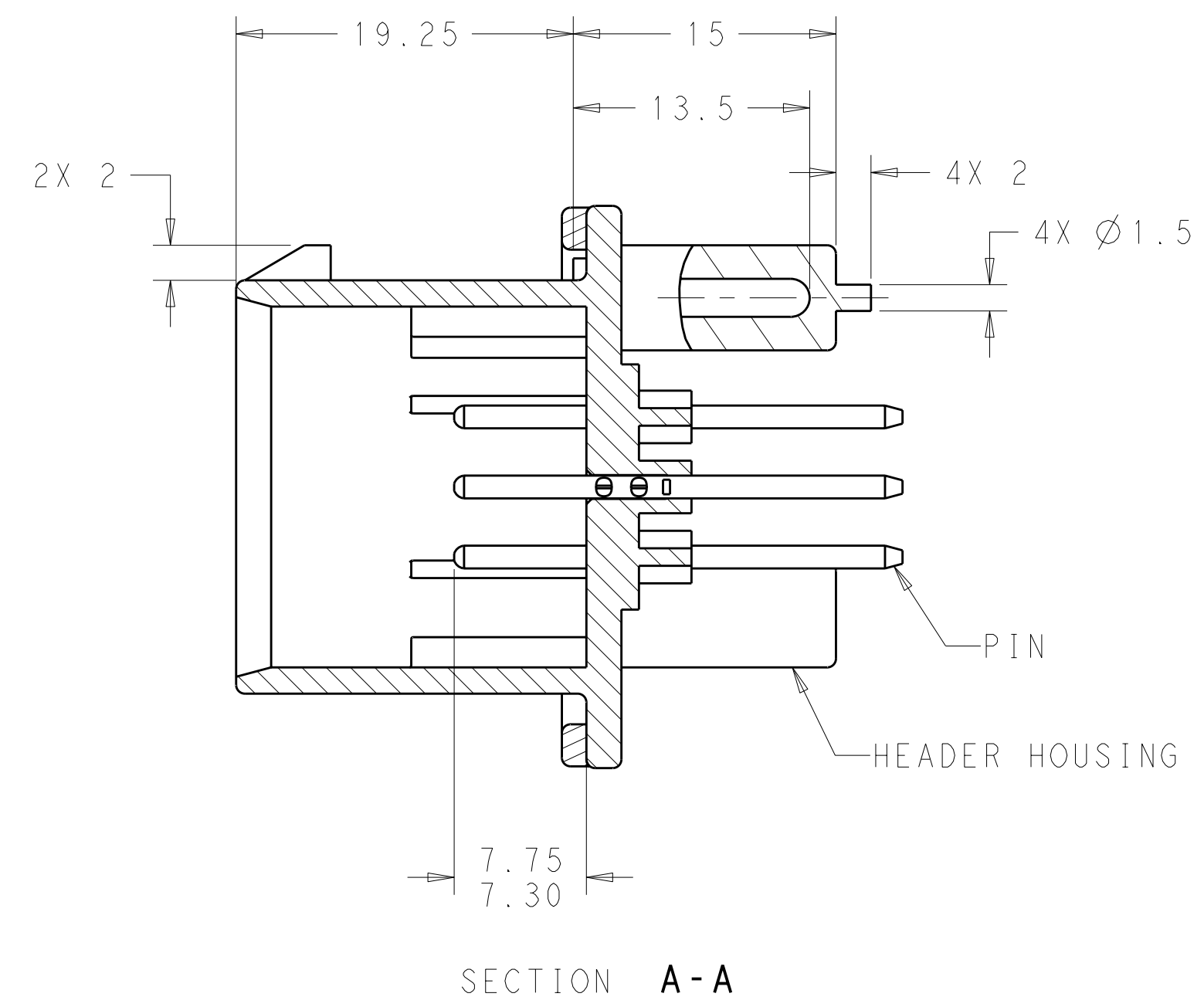
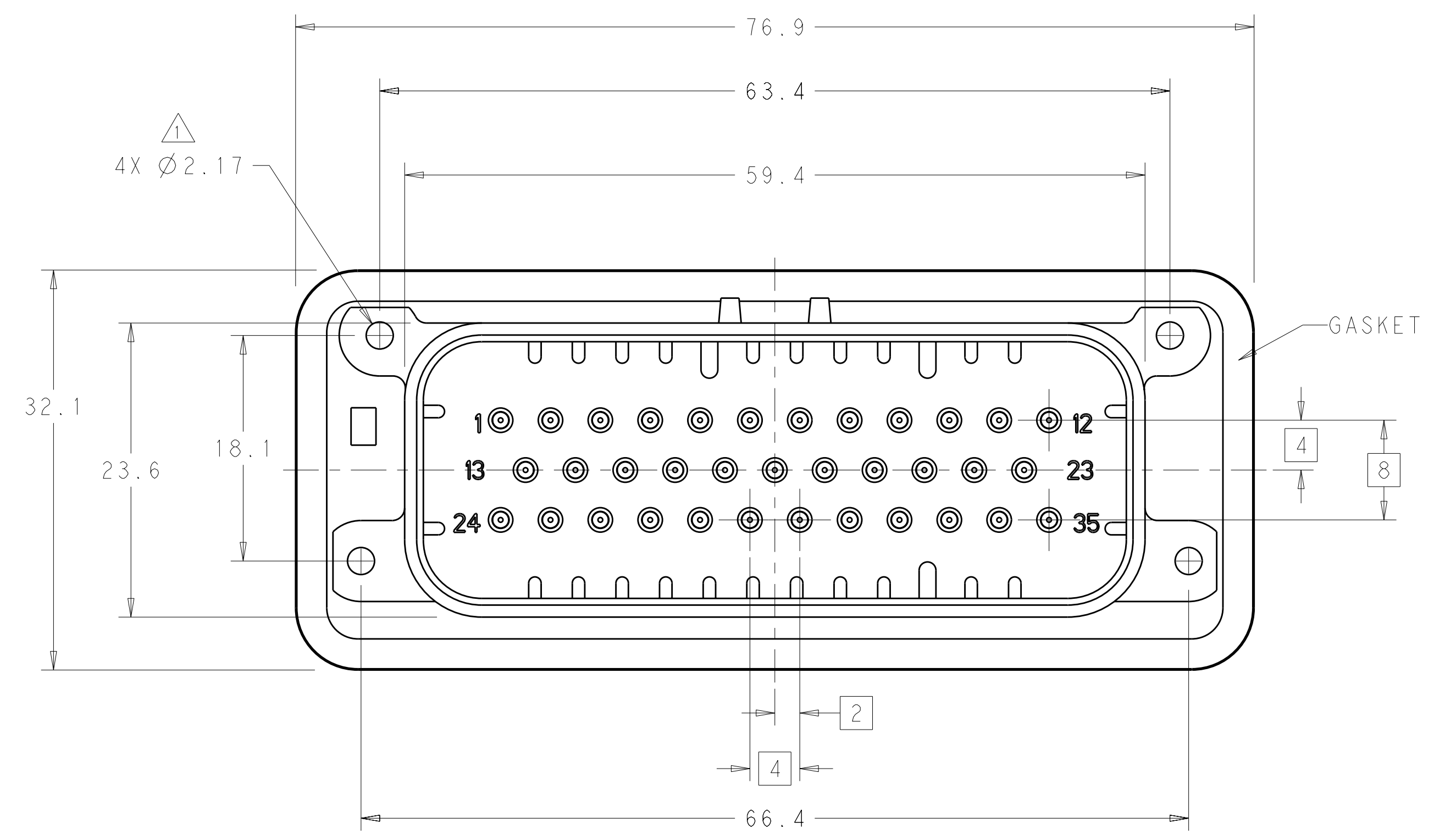
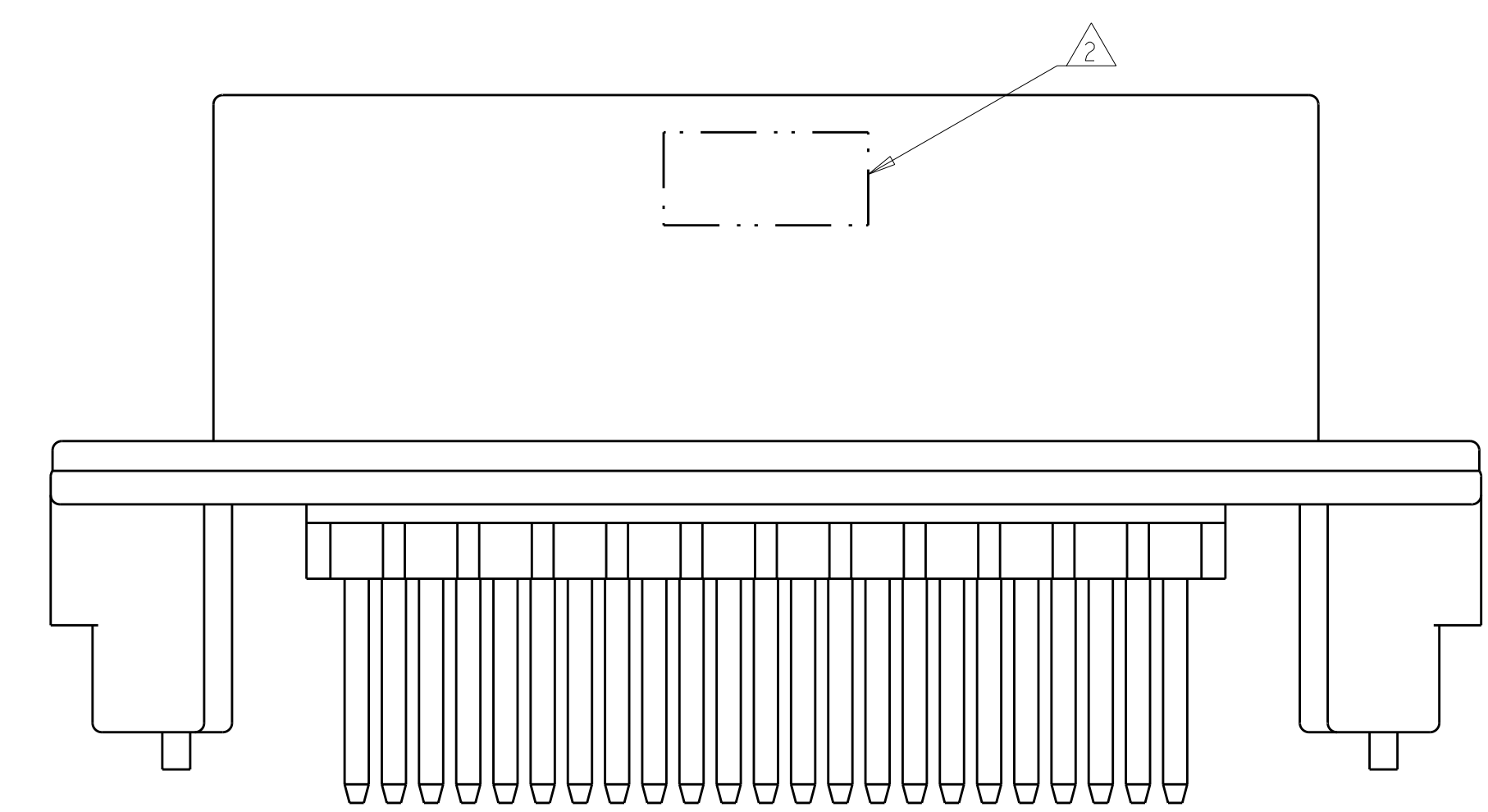


LOC	DIST	REVISIONS			
		REV	DATE	BY	APPD
BV	00	A4	11MAR2011	RK	HMR
		A5	06MAR2012	DD	DS
		A6	29MAR2012	DD	DS



- 1 ACCEPTS #4 SELF TAPPING THREAD FORMING SCREWS OR METRIC EQUIVALENT. DRIVE TO 0.6 N-m MAX
- 2 DATE CODE IN THIS LOCATION USING 5 DIGIT CODE FIRST 2 DIGITS = YEAR, SECOND 2 DIGITS = WEEK LAST DIGIT = DAY.
- 3 MATERIALS: HEADER HOUSING - GLASS FILLED PBT  
PINS - TIN OR GOLD PLATED BRASS  
GASKET - SILICONE
- 4 HOUSING COLORS ARE MECHANICALLY KEYS TO MATE ONLY WITH IDENTICALLY COLORED PLUG ASSEMBLIES.
- 5. HEADER MATES TO PLUG ASSEMBLY 776164 WHICH USES REELED TERMINAL 770520 OR LOOSE PIECE TERMINAL 770854



776231-1 & 1-776231-1 SHOWN

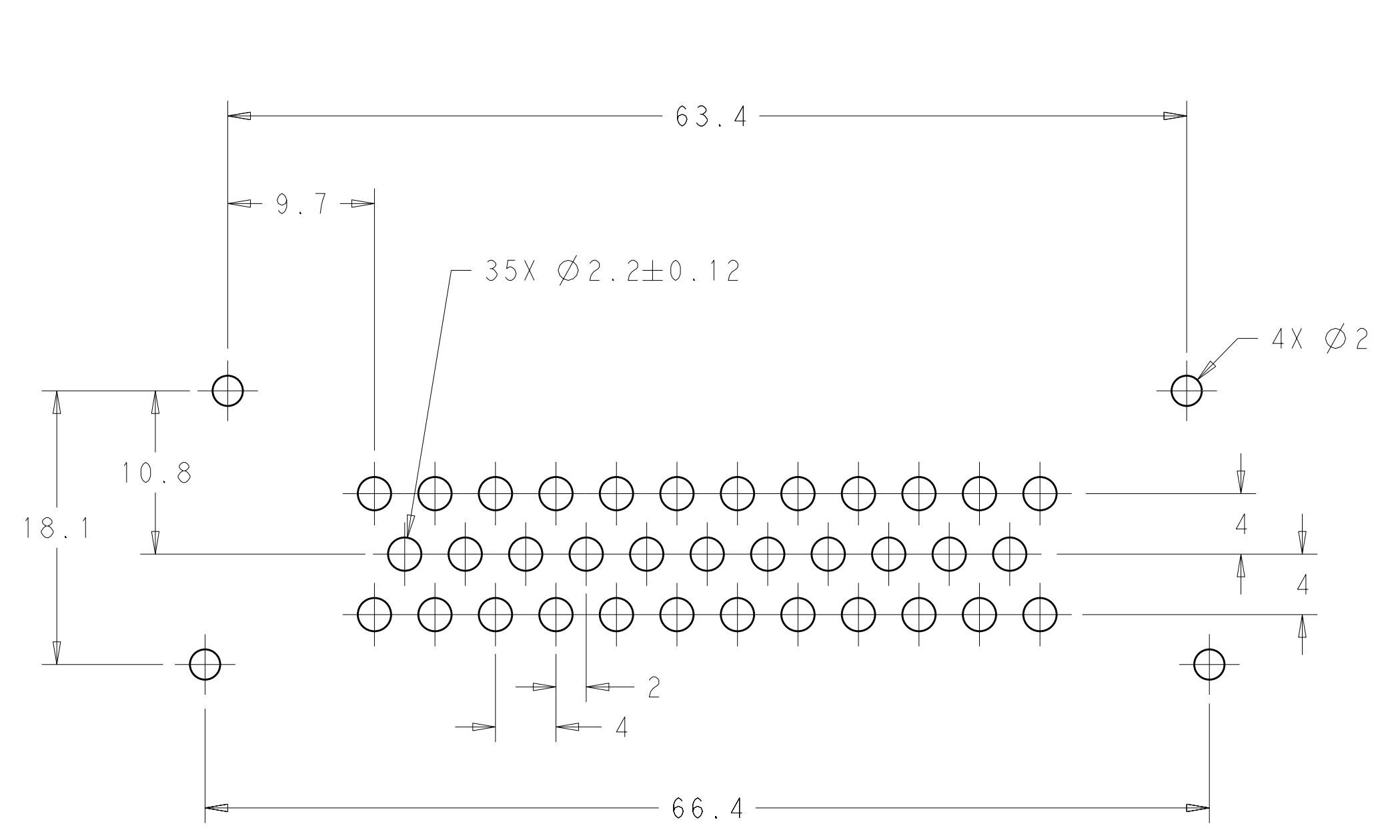
HEADER COLOR	PLATING	PART NUMBER
ORANGE	DURAGOLD	1-776231-6
BLUE	DURAGOLD	1-776231-5
GRAY	DURAGOLD	1-776231-4
NATURAL	DURAGOLD	1-776231-2
BLACK	DURAGOLD	1-776231-1
BLUE	TIN	776231-5
GRAY	TIN	776231-4
NATURAL	TIN	776231-2
BLACK	TIN	776231-1

THIS DRAWING IS A CONTROLLED DOCUMENT.		DWN: D. STRAUSSER 05MAR2010 CHK: D. STRAUSSER 22MAR2010 APVD: D. STRAUSSER 27APR2010	NAME: ASSEMBLY, HEADER, 35 POSITION, VERTICAL, AMPSEAL WITH FLANGE SEAL PRODUCT SPEC: 108-1329 APPLICATION SPEC: 114-16016	SIZE: A1 CAGE CODE: 776231 DRAWING NO: 776231	RESTRICTED TO: - SCALE: 1:1 SHEET: 1 OF 2 REV: A6
DIMENSIONS: mm TOLERANCES UNLESS OTHERWISE SPECIFIED: 0 PLC ± 1 PLC ±0.2 2 PLC ±0.13 3 PLC ± 4 PLC ± ANGLES ±4°	MATERIAL: 3 FINISH: 3	CUSTOMER DRAWING			

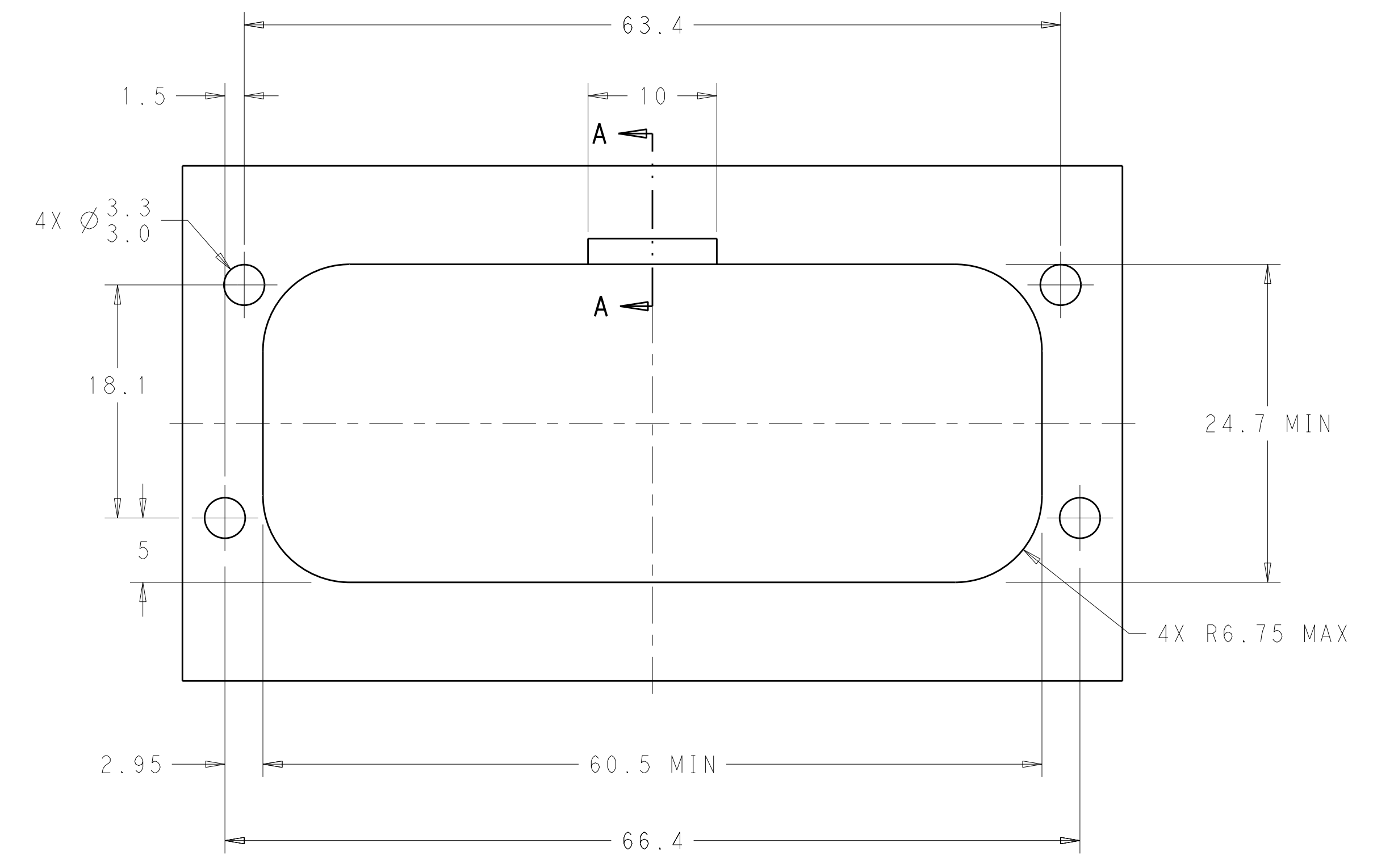
LOC	DIST	REV	DATE	BY	APPV
BV	00				

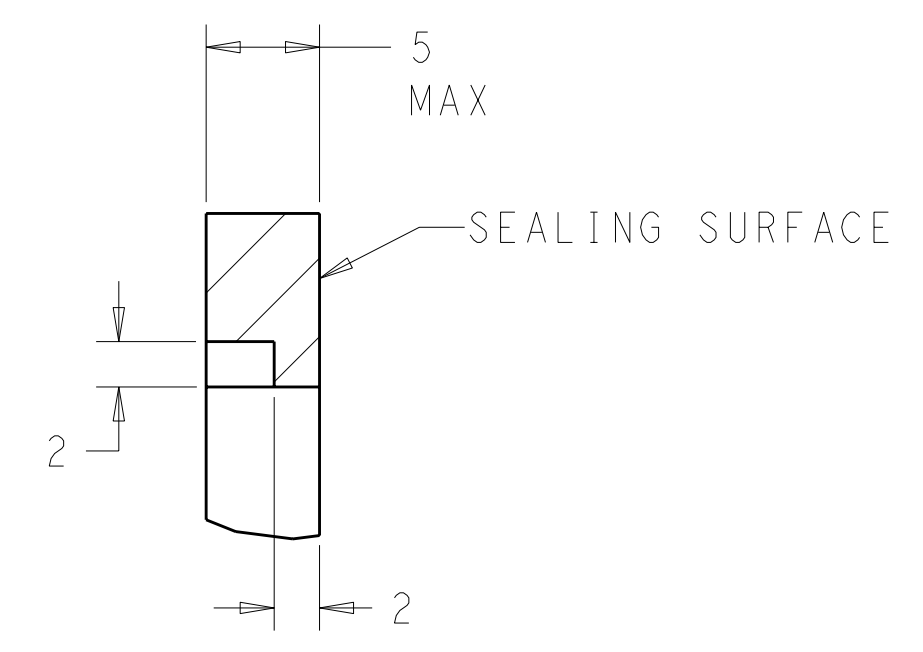
REVISIONS			
NO.	DESCRIPTION	DATE	BY
1	SEE SHEET 1		



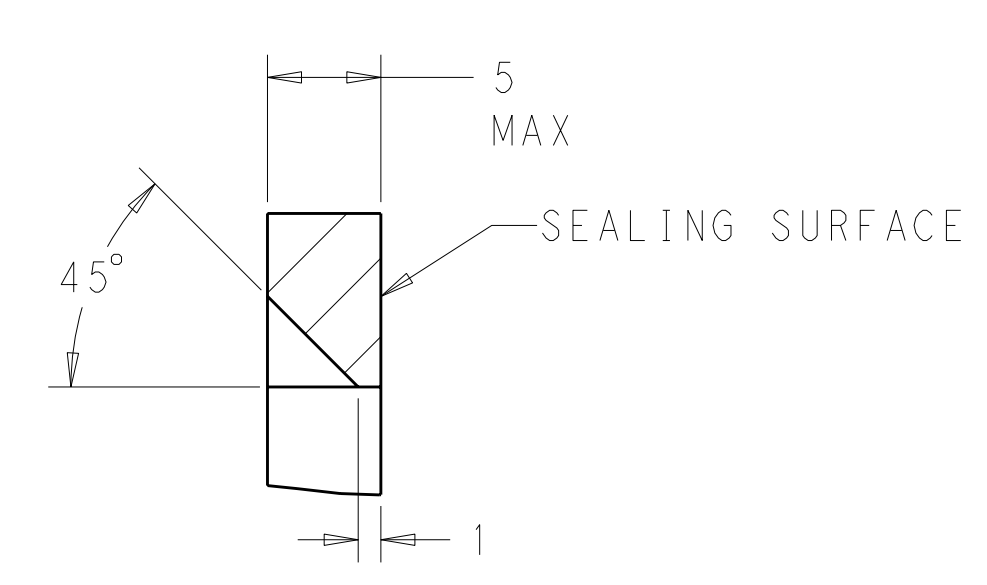
RECOMMENDED P.C. BOARD LAYOUT FOR 1.57 THICK P.C. BOARD



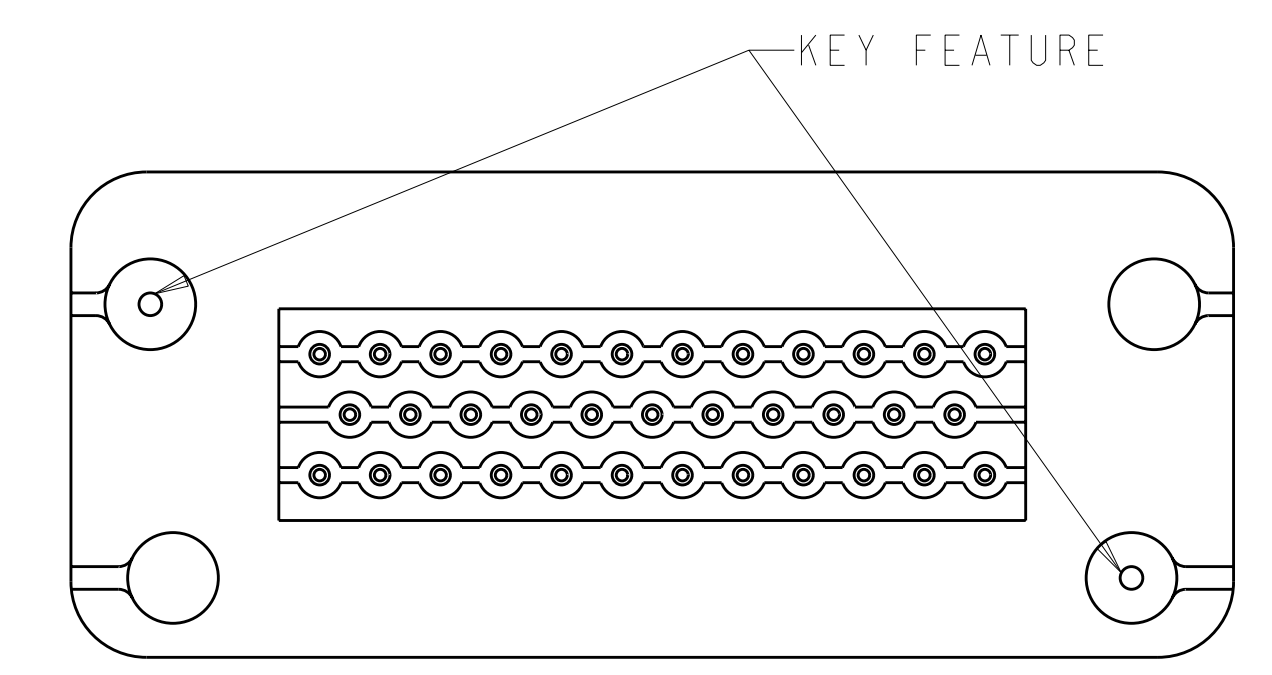
RECOMMENDED MOUNTING HOLE LAYOUT FOR 5.0 MAX THICK PANEL



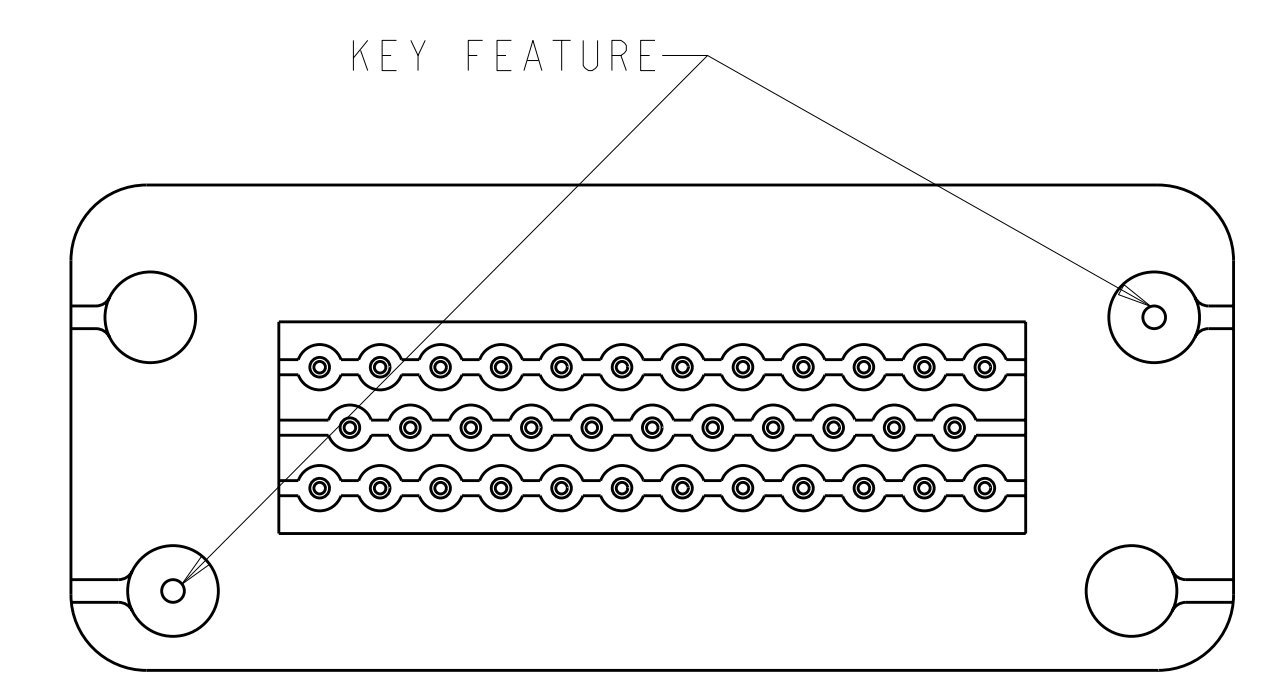
SECTION A-A  
OPTIONAL CONSTRUCTION IF PANEL THICKNESS IS GREATER THAN 2.0



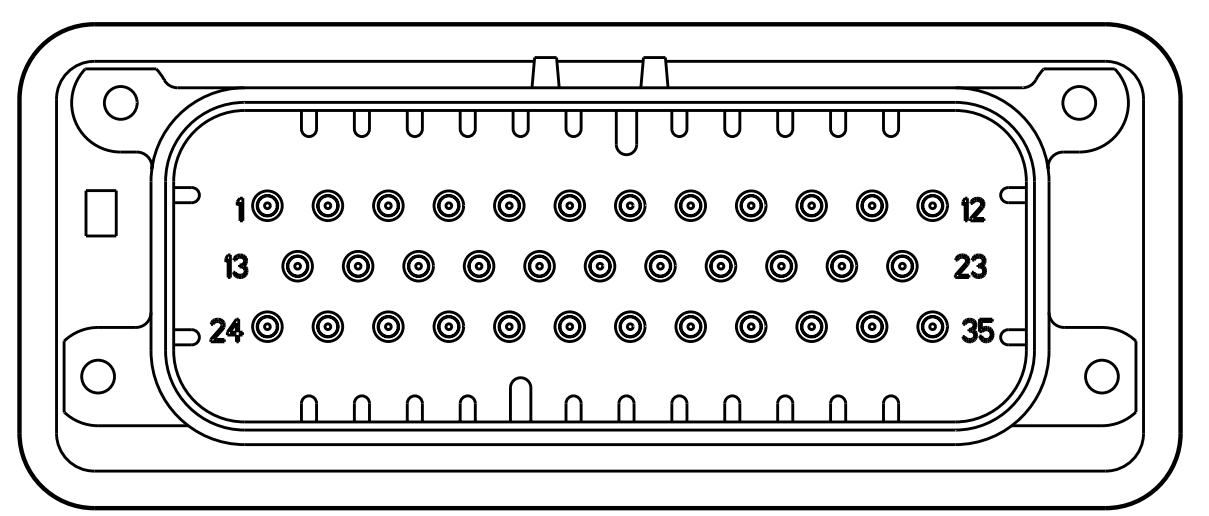
SECTION A-A  
OPTIONAL CONSTRUCTION IF PANEL THICKNESS IS GREATER THAN 2.0



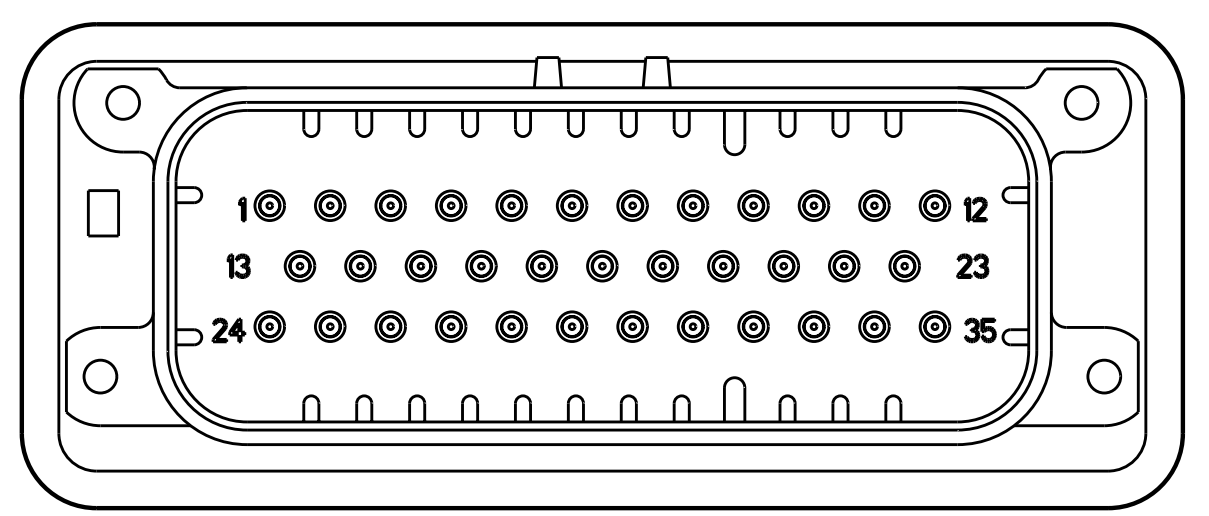
KEYING FOR 776231-1 1-776231-1, 776231-4, 1-776231-4 AND 1-776231-6  
SCALE 2:1



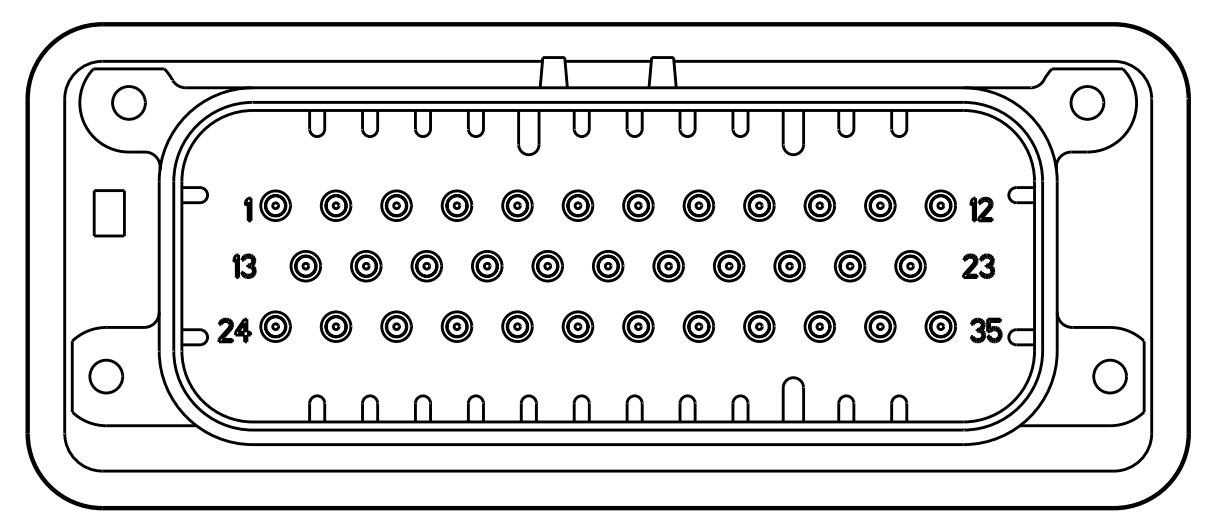
KEYING FOR 776231-2, 1-776231-2, 776231-5 AND 1-776231-5  
SCALE 2:1



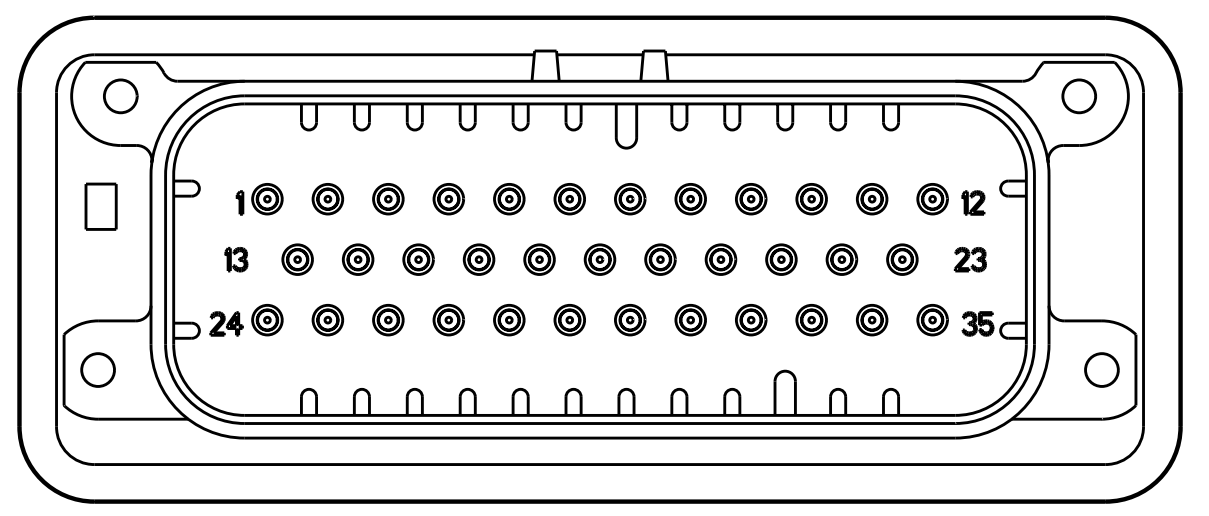
776231-2 & 1-776231-2  
KEY LOCATION  
SCALE 2:1



776231-4 & 1-776231-4  
KEY LOCATION  
SCALE 2:1



776231-5 & 1-776231-5  
KEY LOCATION  
SCALE 2:1



1-776231-6  
KEY LOCATION  
SCALE 2:1

THIS DRAWING IS A CONTROLLED DOCUMENT.		DWN: D. STRAUSSER 05MAR2010	STE		TE Connectivity
DIMENSIONS: mm		CHK: D. STRAUSSER 22MAR2010	NAME: ASSEMBLY, HEADER, 35 POSITION, VERTICAL, AMPSEAL WITH FLANGE SEAL		
TOLERANCES UNLESS OTHERWISE SPECIFIED:		APVD: D. STRAUSSER 27APR2010	PRODUCT SPEC: 108-1329		
0 PLC ±		APPLICATION SPEC: 114-16016		RESTRICTED TO: A100779C-776231	
1 PLC ±0.2		WEIGHT: -		SCALE: 2:1 SHEET 2 OF 2 REV A5	
2 PLC ±0.13		MATERIAL: -		CUSTOMER DRAWING	
3 PLC ±		FINISH: -			
4 PLC ±					
ANGLES ±4°					