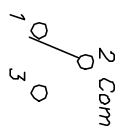


RECOMMENDED P.C.B. LAYOUT

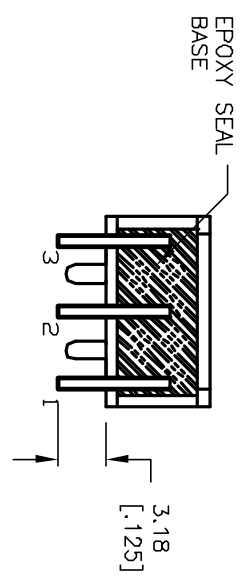
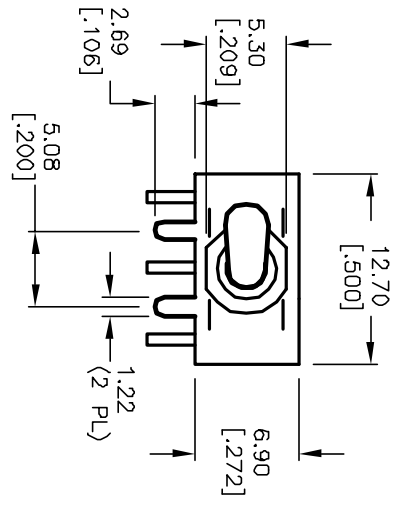


CIRCUIT: SPDT
CONTACT CONFIGURATION

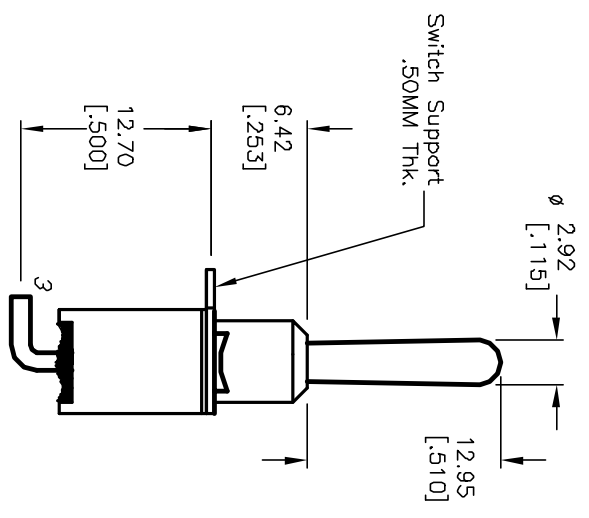
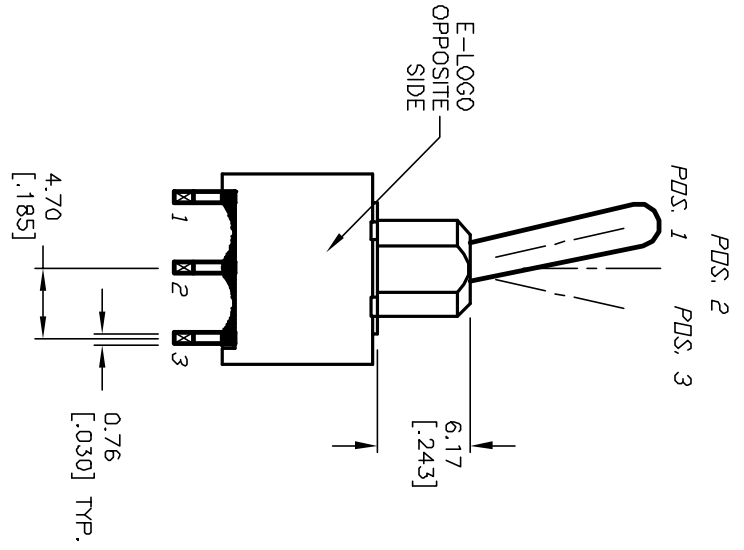
SWITCH FUNCTION		
POS. 1	POS. 2	POS. 3
DN	NONE	<CN>
2-3	OPEN	2-1

() = MEMENTARY

- NOTES:
1. ALL DIMENSIONS IN MM [INCH]
 2. GENERAL TOLERANCE: X.X=±0.4 X.XX=±0.25
 3. TERM. NOS. FOR REF. ONLY
 4. RATING: 3A @120VAC or 28VDC; 1A @250VAC
 5. FIXED TERM. & MOVING CONTACT: COPPER ALLOY W/SILVER PLATE.
 6. ELECTRICAL LIFE: 50,000 make-and-break cycles at full load.
 7. INSULATION RESISTANCE: 1,000M ohm min.
 8. DIELECTRIC STRENGTH: 1,000V RMS @sea level.
 9. OPERATING TEMP.: -30°C to +85°C.



REAR VIEW



REV.	ECN No.	DESCRIPTION	DATE	CHK'D
A	12047	RELEASED FOR PRODUCTION	4/9/02	CJB

TITLE		SCALE	DATE	DR	DWG	REV
100A WSP-2 T1 B4 M6 Q E		2:1	4/9/02	CJB	T102022	A



THE INFORMATION CONTAINED IN THIS DOCUMENT IS PREPARED FOR E-SWITCH AND IS NOT TO BE COPIED OR TRANSMITTED