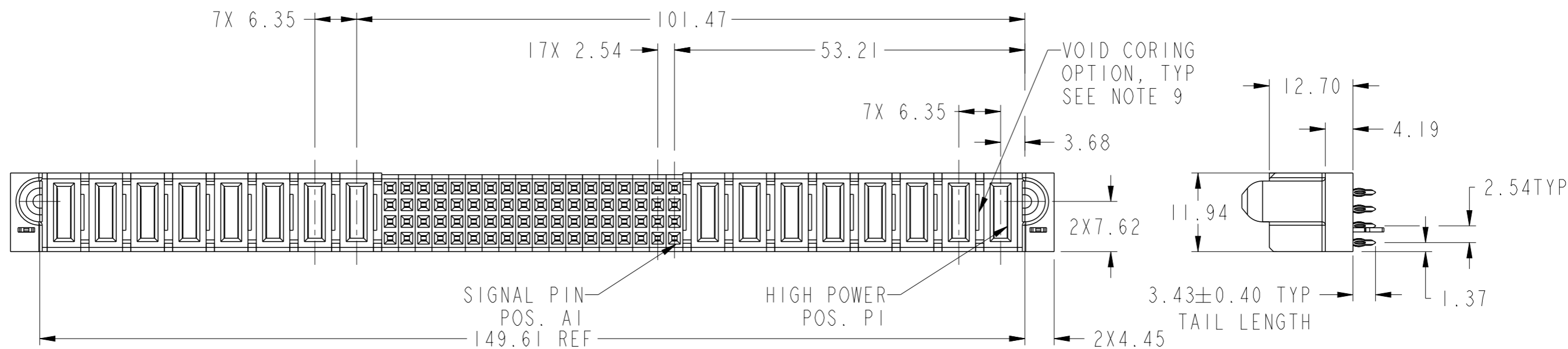
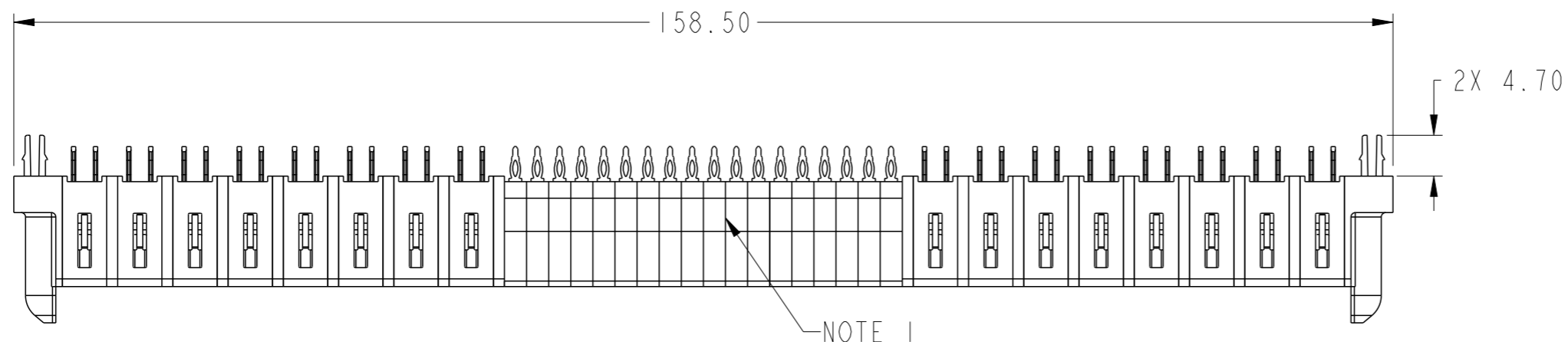
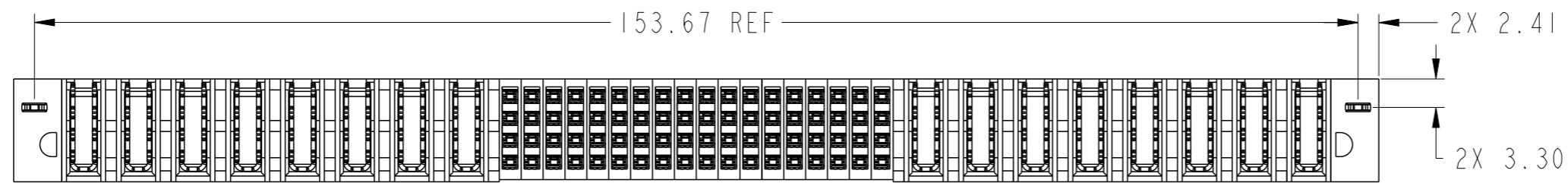
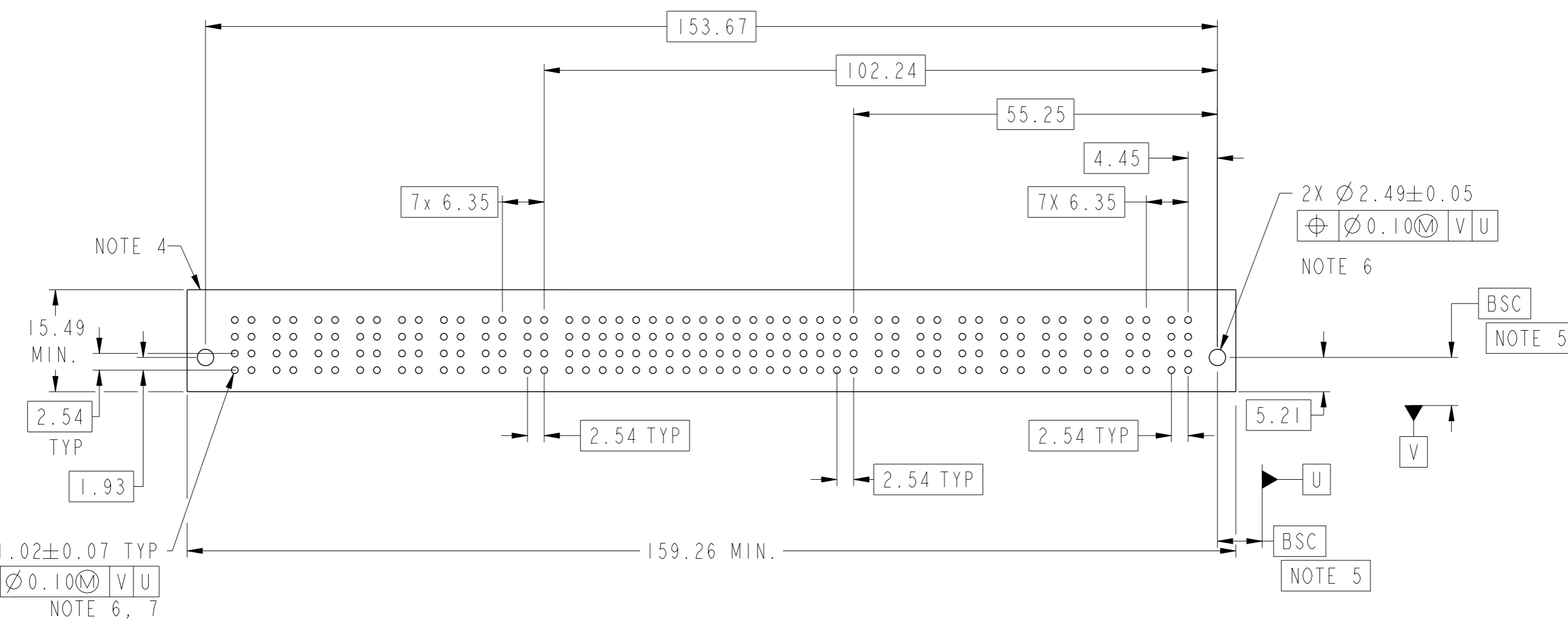
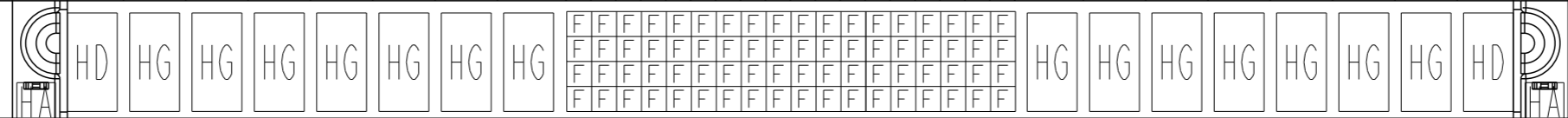


PRODUCT NUMBER SEE SHEET 2



|               |                                       |         |     |       |         |                                     |                               |                            |           |                           |          |                        |
|---------------|---------------------------------------|---------|-----|-------|---------|-------------------------------------|-------------------------------|----------------------------|-----------|---------------------------|----------|------------------------|
| spec ref      |                                       |         |     | dr    | Xie Bob | 2013/12/16                          | projection                    | MM                         | size      | A3                        | scale    | 3:2                    |
| tolerance std | TOLERANCES UNLESS OTHERWISE SPECIFIED |         |     | eng   | Xie Bob | 2013/12/27                          |                               |                            | ecn no    |                           | Released |                        |
| ASME Y14.5    |                                       |         |     | chr   | Li-He   | 2013/12/25                          |                               |                            | rel level |                           |          |                        |
| surface       |                                       | linear  | 0.X | ±0.50 |         | 8HP + 18S + 8HP<br>VT PF RECEPTACLE | product family<br>PowerBlade+ | dwg no<br>10106131-G018002 | rev<br>A  | ASME Y14.5 angular 0° ±2° |          |                        |
| ASME Y14.5    |                                       | angular | 0°  | ±2°   |         |                                     |                               |                            |           | www.fci.com               | cat. no. | Product - Customer Drw |

|                                   |              |            |     |     |     |     |     |     |     |        |    |    |    |    |    |    |    |    |    |   |   |   |   |   |   |   |   |            |    |    |    |    |    |    |    |    |
|-----------------------------------|--------------|------------|-----|-----|-----|-----|-----|-----|-----|--------|----|----|----|----|----|----|----|----|----|---|---|---|---|---|---|---|---|------------|----|----|----|----|----|----|----|----|
| PRODUCT NO.<br>10106131-G018002LF | ROWS<br>DCBA | HIGH POWER |     |     |     |     |     |     |     | SIGNAL |    |    |    |    |    |    |    |    |    |   |   |   |   |   |   |   |   | HIGH POWER |    |    |    |    |    |    |    | E2 |
|                                   |              | E1         | P16 | P15 | P14 | P13 | P12 | P11 | P10 | P9     | 18 | 17 | 16 | 15 | 14 | 13 | 12 | 11 | 10 | 9 | 8 | 7 | 6 | 5 | 4 | 3 | 2 | 1          | P8 | P7 | P6 | P5 | P4 | P3 | P2 |    |



| CODE | DESCRIPTION                    |
|------|--------------------------------|
| F    | STD SIGNAL CONTACT             |
| HA   | METAL HOLD DOWN                |
| HD   | MFBL HIGH POWER CONTACT (3.43) |
| HG   | STD HIGH POWER CONTACT (3.43)  |

|             |                |            |                        |             |           |              |                  |     |
|-------------|----------------|------------|------------------------|-------------|-----------|--------------|------------------|-----|
| dr          | Xie Bob        | 2013/12/16 | projection             | MM          | size      | A3           | scale            | 3:2 |
| eng         | Xie Bob        | 2013/12/27 |                        |             | ecn no    |              |                  |     |
| chr         | Li-He          | 2013/12/25 |                        |             | -         |              |                  |     |
| appr        | Pei-Ming Zheng | 2013/12/27 | product family         | PowerBlade+ | rel level |              |                  |     |
|             |                |            | 8HP + 18S + 8HP        |             | dwg no    |              | 10106131-G018002 |     |
| www.fci.com |                |            | VT PF RECEPTACLE       |             | rev       |              | A                |     |
| cat. no.    |                |            | Product - Customer Drw |             |           | sheet 2 of 3 |                  |     |

Copyright FCI.



A

B

C

D

A

B

C

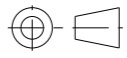
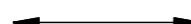

D

NOTES:

- 1) "FCI", PART NUMBER AND DATE CODE TO BE MARKED ON THIS SURFACE.  
THE MARK CAN BE OMITTED IF THERE IS NOT ENOUGH SPACE ON THIS SURFACE.
- 2) MATERIALS:  
-HOUSING - GLASS FILLED WITH HIGH TEMP THERMOPLASTIC, UL94V-0.  
-SIGNAL CONTACT - COPPER ALLOY.  
-POWER CONTACT - HIGH CONDUCTIVITY COPPER ALLOY.
- 3) PLATING SPECIFICATION REFER TO FCI 10116351
- 4) DENOTES CONNECTOR KEEP OUT ZONE.
- 5) DATUM AND BASIC DIMENIONS WERE ESTABLISHED BY CUSTOMER.
- 6) ALL HOLE DIAMETERS ARE FINISHED HOLE SIZES.
- 7) 1.15 ± 0.025MM DRILLED HOLE PLATED WITH 0.00762MM MIN Sn  
OVER 0.0254-0.0762MM Cu PLATING TO ACHIEVE A 1.02 ± 0.07MM HOLE.
- 8) PRODUCT SPECIFICATION REFER TO FCI GS-12-658.  
APPLICATION SPECIFICATION REFER TO FCI GS-20-141.  
PRODUCT PACKAGED IN TRAYS, REFER TO FCI GS-14-1502.
- 9) THE VOID CORING IN BETWEEN POWER MODULES, SIGNAL  
MODULES AND END MODULES ARE OPTIONAL AND THE SHAPE  
MAY BE DIFFERENT FOR OPTIMIZE THE MOLDING PROCESS. THE  
VOID CORING WILL NOT EFFECT TO PRODUCT FUNCTION.



Copyright FCI.

|   |                |  |   |   |              |          |       |     |
|---|----------------|--|---|---|--------------|----------|-------|-----|
| dr  | Xie Bob        | 2013/12/16                                   | projection<br> | MM<br> | size         | A3       | scale | 1:1 |
| eng   | Xie Bob        | 2013/12/27                                   |   |   | ecn no       | -        |       |     |
| chr   | Li-He          | 2013/12/25                                   |   |   | rel level    | Released |       |     |
| appr  | Pei-Ming Zheng | 2013/12/27                                   | product family  | PowerBlade+   |              |          |       |     |
|  |                | title<br>8HP + 18S + 8HP<br>VT PF RECEPTACLE |   | dwg no<br>10106131-G018002  | rev<br>A     |          |       |     |
| www.fci.com   |                | cat. no.                                     | Product - Customer Drw  |   | sheet 3 of 3 |          |       |     |