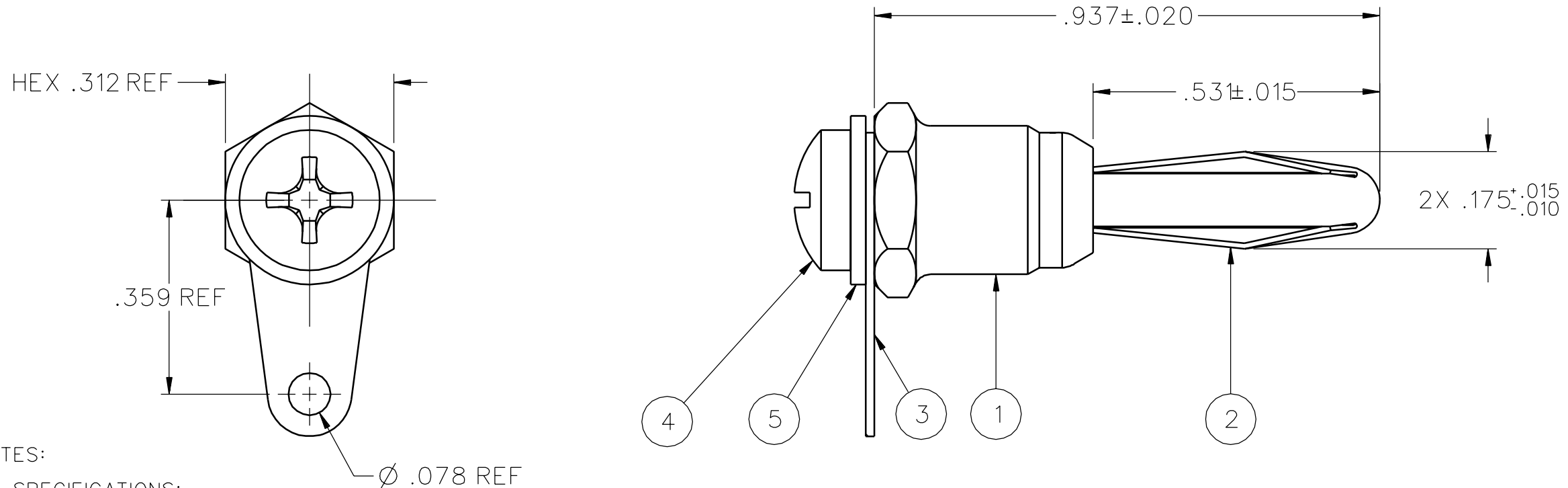


| | | | | |
|----------------|------------------------------|---|----------------------------|------------------------------|
| ITEM ① | ITEM ② | ITEM ③ | ITEM ④ | ITEM ⑤ |
| BODY (2 PIECE) | SPRING | SOLDER LUG | SCREW | WASHER |
| 108-0753-001 | BRASS NICKEL PL .0001 MIN | BERYLLIUM COPPER NICKEL PL .0001 MIN | COPPER TIN PL .0001 MIN | BRASS NICKEL PL .0001 MIN |

| | |
|---|--|
| DRAWING NO. B - 108-0753-001 | |
| 0 | REVISIONS |
| ENGINEERING RELEASE ***** * REVISION NUMBER FOLLOWED BY AN ALPHA * * CHARACTER INDICATES DRAWING CLARIFI- * CATION OR PART NUMBER ADDITION ONLY. * ***** | |
| 24b | 11-21-94 R H S W T A R J C K B ECN 42912 |



NOTES:

1. SPECIFICATIONS:

ELECTRICAL:

CURRENT RATING: 15 AMPS DC MINIMUM
DIELECTRIC WITHSTANDING VOLTAGE: NOT APPLICABLE
RECOMMENDED WORKING VOLTAGE: NOT APPLICABLE
INSULATION RESISTANCE: NOT APPLICABLE
CONTACT RESISTANCE: 10 MILLIOHMS MAXIMUM

MECHANICAL:

INSERTION/WITHDRAWAL FORCE: 1.0 - 15.0 POUNDS
CONTACT SPRING RETENTION FORCE: 25 POUNDS MINIMUM
WIRE ACCEPTABILITY: NOT APPLICABLE
WIRE ATTACHMENT: NOT APPLICABLE
MATING BANANA JACK DIAMETER: .166 NOMINAL
DURABILITY: 1000 CYCLES MINIMUM

ENVIRONMENTAL:

(MEETS OR EXCEEDS THE APPLICABLE PARAGRAPH OF MIL-C-28901)
OPERATING TEMPERATURE: -55 DEG C TO 85 DEG C.
TEMPERATURE RISE AT RATED CURRENT: 10 DEG C MAXIMUM
CORROSION: MIL-STD-1344, METHOD 1001, CONDITION B
SHOCK: MIL-STD-1344, METHOD 2004, CONDITION G
VIBRATION: MIL-STD-1344, METHOD 2005, CONDITION I
HUMIDITY: MIL-STD-1344, METHOD 1002, CONDITION B

CUSTOMER DRAWING

THIS DRAWING TO BE INTERPRETED
PER ANSII Y 14.5M - 1982

"I/EMS"

COMPANY CONFIDENTIAL

| | | |
|--------------------------------------|--------------------|------------------|
| TOLERANCE UNLESS OTHERWISE SPECIFIED | DRAWN BY SWC | DATE 8-26-94 |
| DECIMALS _____ mm _____ | CHECKED BY SWC | DATE 12-7-94 |
| .XX _____ | APPROVED BY TAK | DATE 12-20-94 |
| .XXX _____ | RELEASE DATE | |
| MATL _____ | U/M INCH | SCALE 4:1 |
| FINISH _____ | | |

| | | |
|---|--|--|
|  Cinch CONNECTIVITY SOLUTIONS a bel group | Cinch Connectivity Solutions P.O. Box 1732 Waseca, MN 56093 1-800-247-8256 | |
| | TITLE ASSEMBLY, BANANA PLUG UNINSULATED, HEX BODY THREADED BACKHOLE | |
| SHEET 2 OF 2 | DRAWING NO. B - 108-0753-001 | |