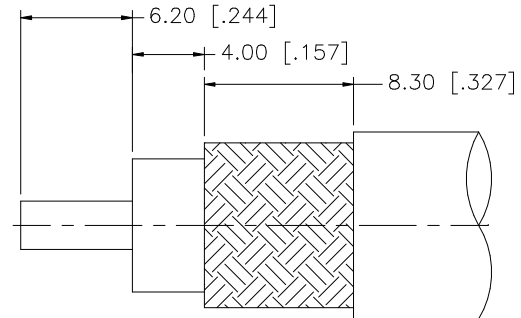
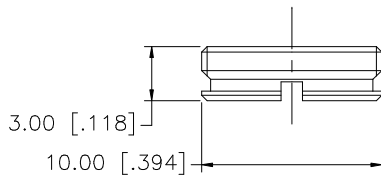
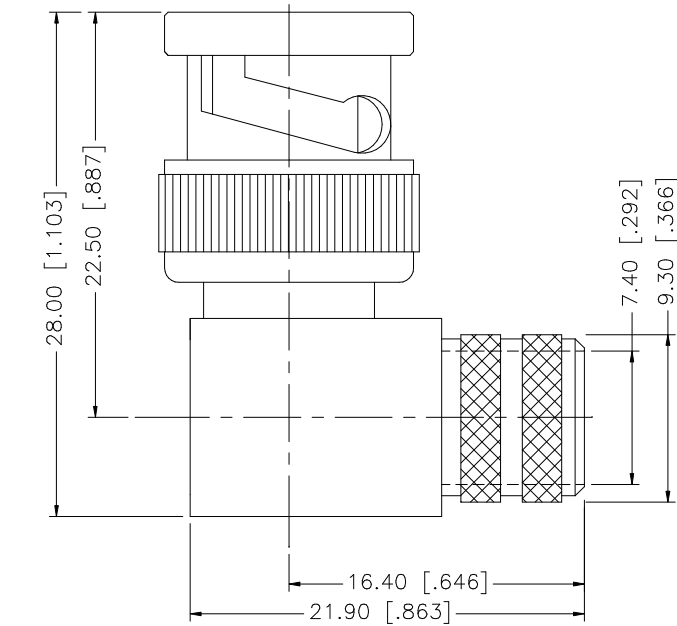


REV.	DATE	DESCRIPTION
NC	04/29/98	INITIAL RELEASE
A	07/20/05	UPDATE DRAWING FORMAT



RECOMMENDED  
CABLE STRIPPING DIM'S

8				<small>UNLESS OTHERWISE SPECIFIED DIMENSIONS ARE IN MILLIMETERS. DIMENSIONS IN [ ] ARE IN INCHES AND FOR CUSTOMER REFERENCE ONLY.</small> <small>UNLESS OTHERWISE SPECIFIED TOLERANCES FOR MILLIMETERS ARE:</small> 0.5 - 8mm ± 0.20mm 8 - 30mm ± 0.40mm 30 - 120mm ± 0.50mm <small>UNLESS OTHERWISE SPECIFIED TOLERANCES FOR INCHES ARE:</small> .020 - .315 = ± 0.007" .315 - 1.180 = ± 0.015" 1.180 - 4.724 = ± 0.020"	APPROVALS	DATE	<h1 style="color: blue; margin: 0;">Amphenol Connex</h1>		
7			DRAWN		G.R.S.	07/20/05		<small>PART DESCRIPTION</small> <h2 style="text-align: center; margin: 0;">BNC R/A CRIMP PLUG (FOR RG-8/U, 213/U CABLE)</h2>	
6			CHECKED						<small>PART NO.</small> <h2 style="text-align: center; margin: 0;">112594</h2>
5	COVER	BRASS	NICKEL		1				
4	FERRULE	BRASS	NICKEL		1				
3	CONTACT PIN	BRASS	GOLD		1				
2	INSULATOR	TEFLON	NATURAL		1				
1	BODY	BRASS	NICKEL		1				
	DESCRIPTION	MATERIAL	FINISH	QTY	<small>DO NOT SCALE DRAWING</small>		<small>DWG. NO.</small> 112594.DWG		
					<small>CAD FILE</small> C:/112/112594.DWG	<small>REV.</small> A	<small>SIZE</small> A	<small>SCALE</small> NA	