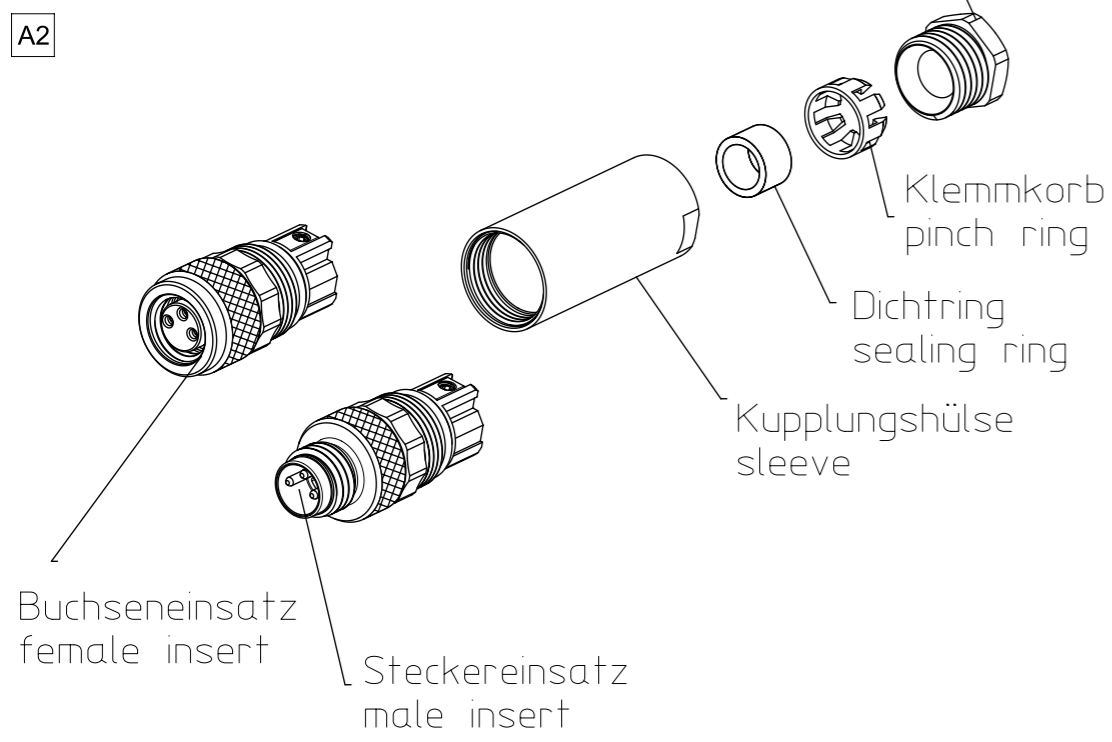
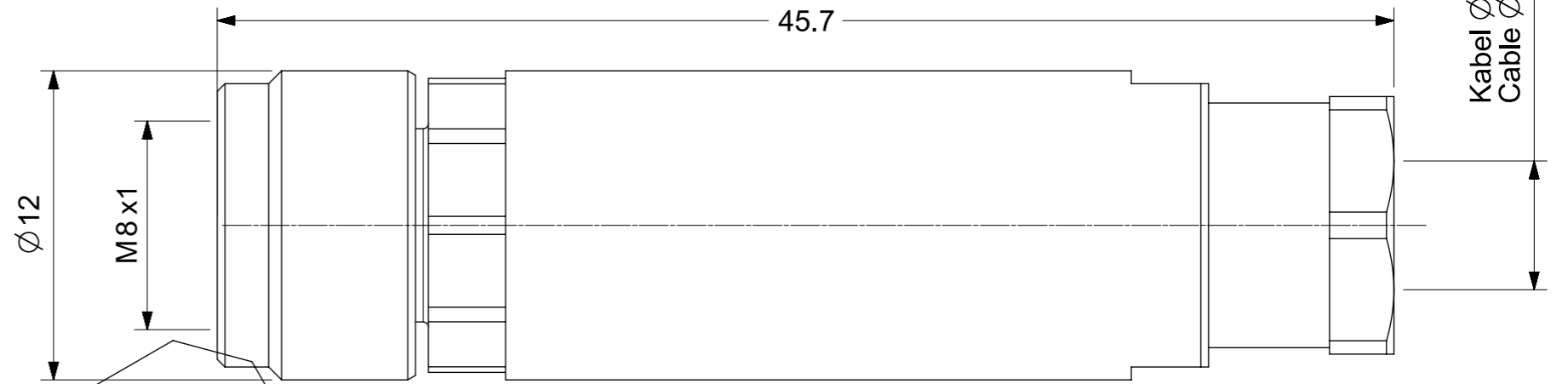
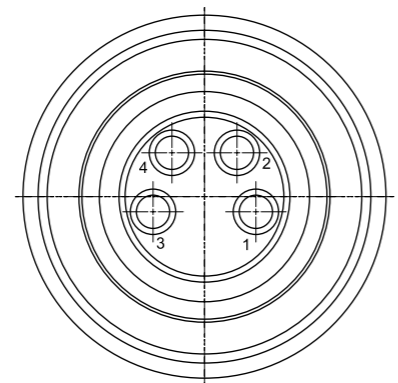


"Explosionszeichnung als Referenz,
Polzahl siehe description"
"Exploded drawing for reference,
pole count see description"

A2



CHANGES SEE REVISION MARKING A1	NOTES
CHANGES SEE REVISION MARKING A2	NOTES



PRE-RELEASE
REFERENCE
USE ONLY

- NOTES:
1. LOCKING SYSTEM: SCREW
WIRE GAUGE: 0.14 - 0.50mm²
CABLE OUTLET: 3.5 - 5mm
 2. ELECTRICAL DATA:
CURRENT RATING: 4A
VOLTAGE RATING: 30V
 3. MECHANICAL:
OPERATING TEMP.: -40°C to +85°C A1
 4. MATERIAL:
CONTACT: CuZn (BRASS)
CONTACT PLATING: Au (GOLD)

ENG.-NO: N04FA03134

THIS DRAWING CONTAINS INFORMATION THAT IS PROPRIETARY TO MOLEX ELECTRONIC TECHNOLOGIES, LLC AND SHOULD NOT BE USED WITHOUT WRITTEN PERMISSION											
QUALITY SYMBOLS FA = 0 FE = 0 FB = 0 FC = 0 FD = 0 FE = 0 FF = 0 FG = 0 FH = 0 FI = 0 FJ = 0 FK = 0 FL = 0 FM = 0 FN = 0 FO = 0 FP = 0 FQ = 0 FR = 0 FS = 0 FT = 0 FU = 0 FV = 0 FW = 0 FX = 0 FY = 0 FZ = 0 FA = 0 FB = 0 FC = 0 FD = 0 FE = 0 FF = 0 FG = 0 FH = 0 FI = 0 FJ = 0 FK = 0 FL = 0 FM = 0 FN = 0 FO = 0 FP = 0 FQ = 0 FR = 0 FS = 0 FT = 0 FU = 0 FV = 0 FW = 0 FX = 0 FY = 0 FZ = 0	2016/08/10	GENERAL TOLERANCES (UNLESS SPECIFIED)		DIMENSION UNITS		SCALE					
	EC NO: 107393	4 PLACES ±		MM		4:1					
	DRWN: LRAMAMURTHY	3 PLACES ±		DRWN BY		DATE		FA M8 4P FE STR SCR UNSH			
	CHK'D:	2 PLACES ± 0.05		MSCHWARZ		2015/06/30					
APP'R:	1 PLACE ± 0.1		CHK'D BY		DATE		PRODUCT CUSTOMER DRAWING				
REV	0 PLACES ± 0.2		APPR BY		DATE						
A2	DRAFT WHERE APPLICABLE MUST REMAIN WITHIN DIMENSIONS		DRAWING SIZE		THIRD ANGLE PROJECTION		SERIES: 120091 MATERIAL NUMBER: 1200910026 CUSTOMER: GENERAL MARKET				
			A3				DOCUMENT NUMBER: 1200910026 DOC TYPE: PSD DOC PART: 000 SHEET NUMBER: 1 OF 1				