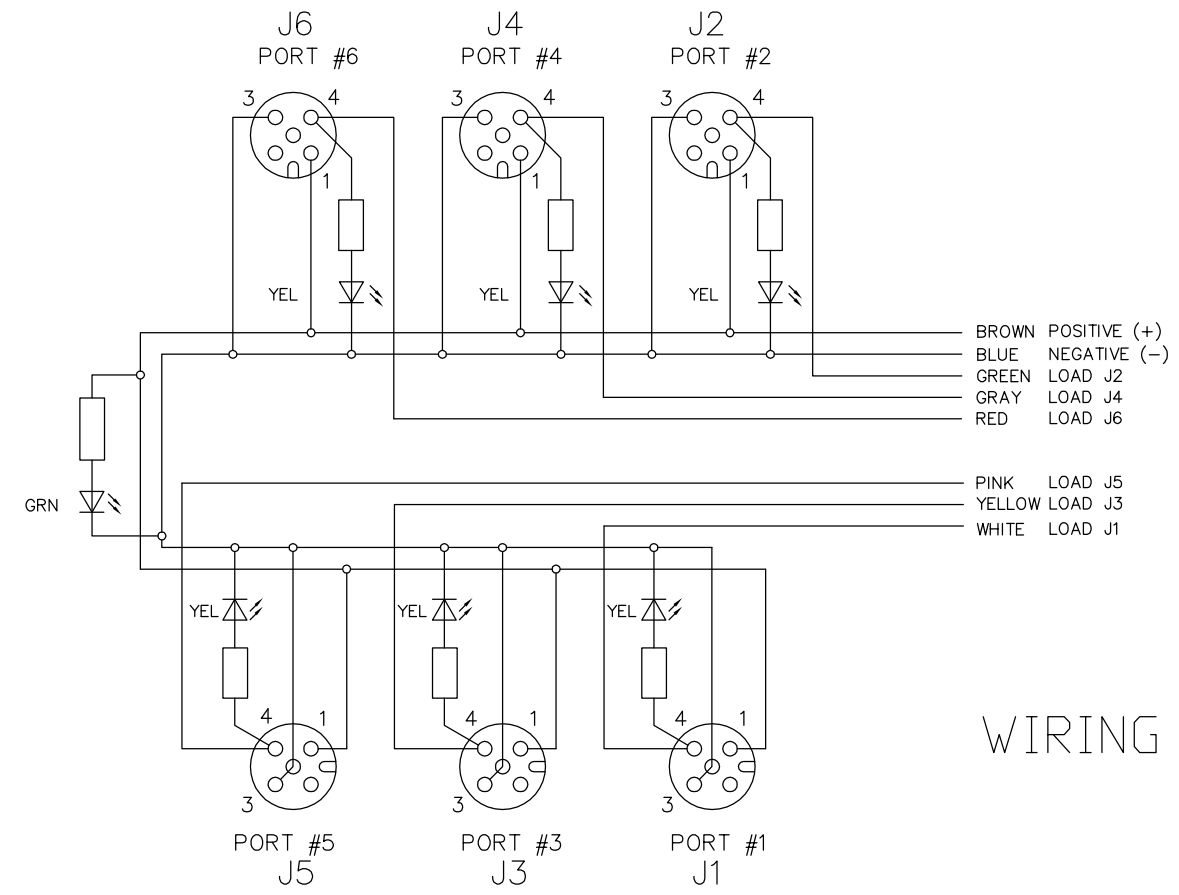
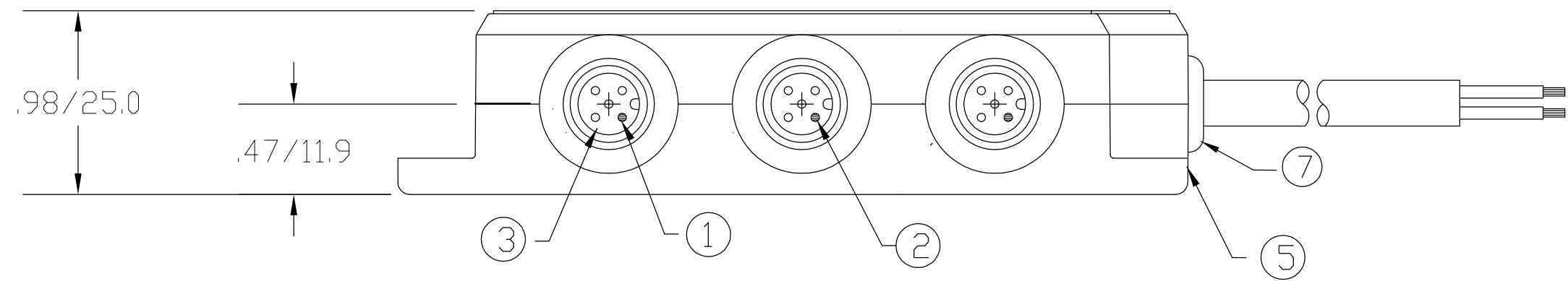
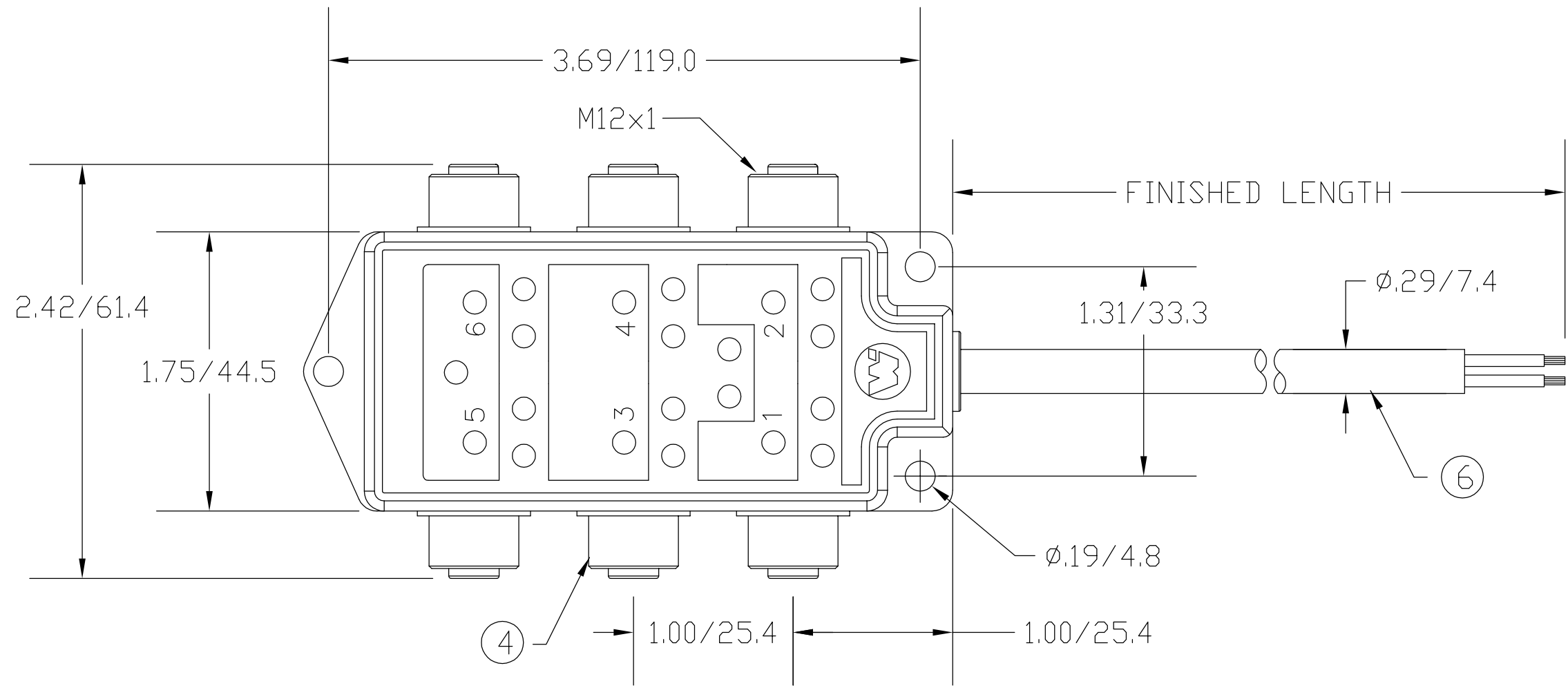


MATERIAL NUMBER	OLD PART NUMBER	FINISHED LENGTH
120115-0048	803P601	16.40' +6.50" -0 [5.0M +165.1 -0]



WIRING DIAGRAM

ITEM	COMPONENT	MATERIAL	FINISH
1	INSERT	NYLON	BLACK
2	CONTACT SOCKET	COPPER ALLOY	GOLD OVER NICKEL
3	O-RING	NITRILE	RED
4	RECEPTACLE SHELL	ZINC DIE CAST	BLACK E-COATED
5	HOUSING	NYLON	YELLOW
6	CABLE- 18AWG, (41 X #34), 1 CONDUCTOR; 22 AWYG (26 X #36), 7 CONDUCTOR, 300V	PVC	YELLOW
7	GROMMET	NITRILE	BLACK

VOLTAGE RATING	10-30 VDC
AMPERAGE RATING PER PORT	4 AMPS
PROTECTION	IP67
OPERATING TEMPERATURE	-20°C TO 90°C

RLSO DRAWING EC NO: WNA2010-0139 DRWN: BWOODMAN 8/27/09 CH'KD: JM APPR: JFMURPHY 2009/08/31	QUALITY SYMBOL	GENERAL TOLERANCES (UNLESS SPECIFIED)	DIMENSION STYLE	SCALE	DESIGN UNITS	THIRD ANGLE PROJECTION																					
	$\nabla=0$ $\nabla C=0$	<table border="1"> <thead> <tr> <th></th> <th>mm</th> <th>INCH</th> </tr> </thead> <tbody> <tr> <td>4 PLACES</td> <td>±----</td> <td>±----</td> </tr> <tr> <td>3 PLACES</td> <td>±----</td> <td>±----</td> </tr> <tr> <td>2 PLACES</td> <td>±----</td> <td>±.01</td> </tr> <tr> <td>1 PLACE</td> <td>±0.3</td> <td>±----</td> </tr> </tbody> </table>		mm	INCH		4 PLACES	±----	±----	3 PLACES	±----	±----	2 PLACES	±----	±.01	1 PLACE	±0.3	±----	IN/MM	----	----						
		mm	INCH																								
	4 PLACES	±----	±----																								
3 PLACES	±----	±----																									
2 PLACES	±----	±.01																									
1 PLACE	±0.3	±----																									
DESCRIPTION	<table border="1"> <thead> <tr> <th>DRAWN BY</th> <th>DATE</th> <th>TITLE</th> </tr> </thead> <tbody> <tr> <td>BW</td> <td>2009/08/27</td> <td rowspan="3">MICRO-CHANGE MPIS 6 PORT SIDE MOUNT PNP PVC CABLE</td> </tr> <tr> <td>CHECKED BY</td> <td>DATE</td> </tr> <tr> <td>LH</td> <td>2009/08/27</td> </tr> <tr> <td>APPROVED BY</td> <td>DATE</td> <td>MOLEX MOLEX INCORPORATED</td> </tr> <tr> <td>REV</td> <td> <table border="1"> <thead> <tr> <th>MATERIAL NO.</th> <th>DOCUMENT NO.</th> <th>SHEET NO.</th> </tr> </thead> <tbody> <tr> <td>SEE CHART</td> <td>SD-120115-006</td> <td>1 OF 1</td> </tr> </tbody> </table> </td> <td> <table border="1"> <thead> <tr> <th>SIZE</th> <th>THIS DRAWING CONTAINS INFORMATION THAT IS PROPRIETARY TO MOLEX INCORPORATED AND SHOULD NOT BE USED WITHOUT WRITTEN PERMISSION</th> </tr> </thead> <tbody> <tr> <td>C</td> <td></td> </tr> </tbody> </table> </td> </tr> </tbody></table>	DRAWN BY	DATE	TITLE	BW	2009/08/27	MICRO-CHANGE MPIS 6 PORT SIDE MOUNT PNP PVC CABLE	CHECKED BY	DATE	LH	2009/08/27	APPROVED BY	DATE	MOLEX MOLEX INCORPORATED	REV	<table border="1"> <thead> <tr> <th>MATERIAL NO.</th> <th>DOCUMENT NO.</th> <th>SHEET NO.</th> </tr> </thead> <tbody> <tr> <td>SEE CHART</td> <td>SD-120115-006</td> <td>1 OF 1</td> </tr> </tbody> </table>	MATERIAL NO.	DOCUMENT NO.	SHEET NO.	SEE CHART	SD-120115-006	1 OF 1	<table border="1"> <thead> <tr> <th>SIZE</th> <th>THIS DRAWING CONTAINS INFORMATION THAT IS PROPRIETARY TO MOLEX INCORPORATED AND SHOULD NOT BE USED WITHOUT WRITTEN PERMISSION</th> </tr> </thead> <tbody> <tr> <td>C</td> <td></td> </tr> </tbody> </table>	SIZE	THIS DRAWING CONTAINS INFORMATION THAT IS PROPRIETARY TO MOLEX INCORPORATED AND SHOULD NOT BE USED WITHOUT WRITTEN PERMISSION	C	
DRAWN BY	DATE	TITLE																									
BW	2009/08/27	MICRO-CHANGE MPIS 6 PORT SIDE MOUNT PNP PVC CABLE																									
CHECKED BY	DATE																										
LH	2009/08/27																										
APPROVED BY	DATE	MOLEX MOLEX INCORPORATED																									
REV	<table border="1"> <thead> <tr> <th>MATERIAL NO.</th> <th>DOCUMENT NO.</th> <th>SHEET NO.</th> </tr> </thead> <tbody> <tr> <td>SEE CHART</td> <td>SD-120115-006</td> <td>1 OF 1</td> </tr> </tbody> </table>	MATERIAL NO.	DOCUMENT NO.	SHEET NO.	SEE CHART	SD-120115-006	1 OF 1	<table border="1"> <thead> <tr> <th>SIZE</th> <th>THIS DRAWING CONTAINS INFORMATION THAT IS PROPRIETARY TO MOLEX INCORPORATED AND SHOULD NOT BE USED WITHOUT WRITTEN PERMISSION</th> </tr> </thead> <tbody> <tr> <td>C</td> <td></td> </tr> </tbody> </table>	SIZE	THIS DRAWING CONTAINS INFORMATION THAT IS PROPRIETARY TO MOLEX INCORPORATED AND SHOULD NOT BE USED WITHOUT WRITTEN PERMISSION	C																
MATERIAL NO.	DOCUMENT NO.	SHEET NO.																									
SEE CHART	SD-120115-006	1 OF 1																									
SIZE	THIS DRAWING CONTAINS INFORMATION THAT IS PROPRIETARY TO MOLEX INCORPORATED AND SHOULD NOT BE USED WITHOUT WRITTEN PERMISSION																										
C																											