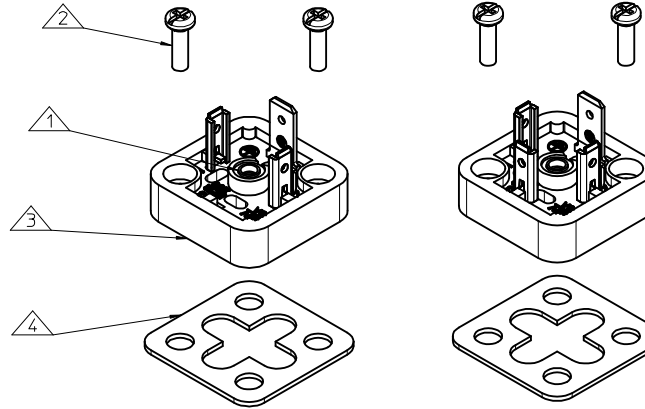


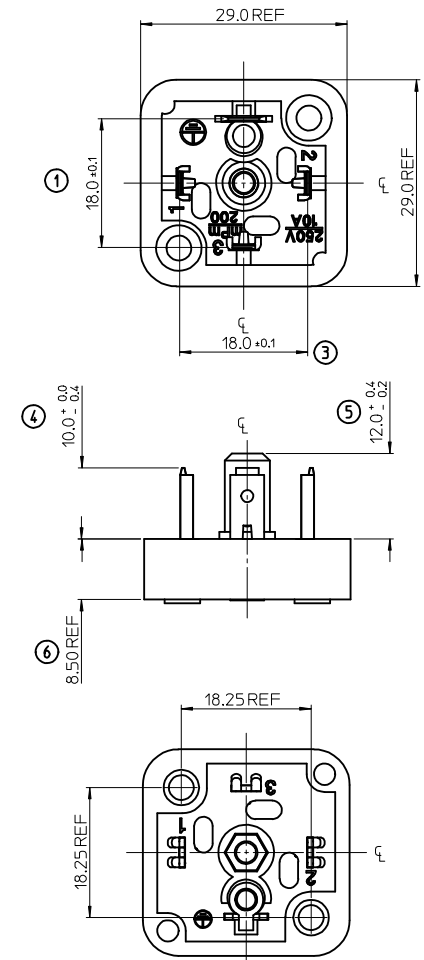
B202000N2**

SERIES _____
 B20= FORM A BASE SERIES
 POLES _____
 2= 2 POLE & 3= 3 POLE
 CURVED BASE DIAMETER _____
 000 = FLAT
 MATERIAL AND HOUSING COLOR _____
 G= PA6 GRAY, N= PA6 BLACK, W= PA6 BLACK V0
 GASKET & SCREWS _____
 1= NBR INTEGRATED GASKET & SCREWS
 2= NBR FLAT GASKET & SCREWS
 4= SILICON FLAT GASKET & SCREWS
 0= WITHOUT GASKET AND SCREWS
 ADDITIONAL INFORMATION _____
 UR= UL APPROVED
 SA= UL LISTED



B202 SERIES BASE

B203 SERIES BASE

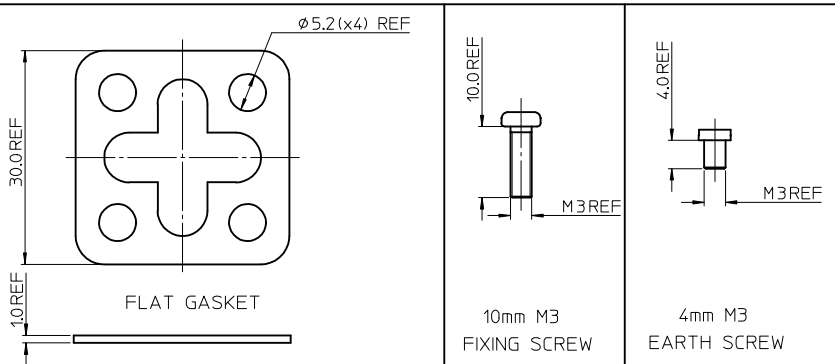


NOTES

- FOR SPECIFIC PART NUMBERS PLEASE CONTACT SALES OR CONSULT THE INTELLIGENT PART NUMBERS IN THE TABLE ATTACHED
- PRODUCT SPEC: SEE PS-121201-001
- PACKAGING SPEC: SEE PK-121012-B20

LAST INSPECTION NUMBER USED 5

Part No	MPM Part No	DESCRIPTION	BEND ANGLE
1210120013	B202000N2	PLATTE 2+ERDE 2-DIAGONAL	180°
1210120161	B202000G2	BAS QUAD.202 GRIGIA 2P+T	180°
1210120168	B202000W2SA	BAS202 NERA UL94 V0 UL LISTED	180°
1210120169	B203000W2SA	BAS203 NERA UL94 V0 UL	180°
1210120019	B203000N2	STD. BASE 3 POLE+EARTH FLAT	180°



ITEM	DESCRIPTION
1	CENTRE SCREW
2	FIXING SCREWS
3	BASE
4	GASKET

ADDED PART NUMBER EC NO: IPG2014-053Z DRAWN: KIRKMOYLE 2013/09/17 CHKD: OSHEA 2013-10-23 APPR: STURTELLIN 2013/11/11	QUALITY SYMBOLS ▽=0 ▽=0	GENERAL TOLERANCES (UNLESS SPECIFIED)		DIMENSION STYLE MM ONLY	SCALE 1:1	DESIGN UNITS METRIC	THIRD ANGLE PROJECTION	
		4 PLACES ± --- ± ---	mm INCH	DRAWN BY DMAHER_WEU	DATE 2010/03/18	TITLE B20 SERIES BASES		
		3 PLACES ± --- ± ---	± 0.10 ± ---	CHECKED BY	DATE	APPROVED BY JWALLACE		
		2 PLACES ± 0.20 ± ---	ANGULAR ± 2°	DATE 2010/03/24	MATERIAL NO.	DOCUMENT NO. SD-121012-013	SHEET NO. 1 OF 1	
DRAFT WHERE APPLICABLE MUST REMAIN WITHIN DIMENSIONS	SEE TABLE	THIS DRAWING CONTAINS INFORMATION THAT IS PROPRIETARY TO MOLEX INCORPORATED AND SHOULD NOT BE USED WITHOUT WRITTEN PERMISSION						