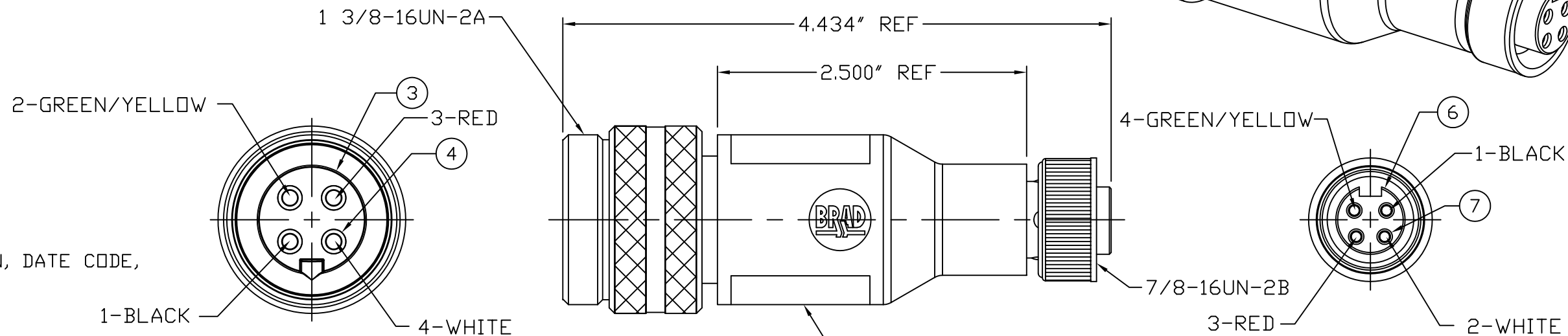
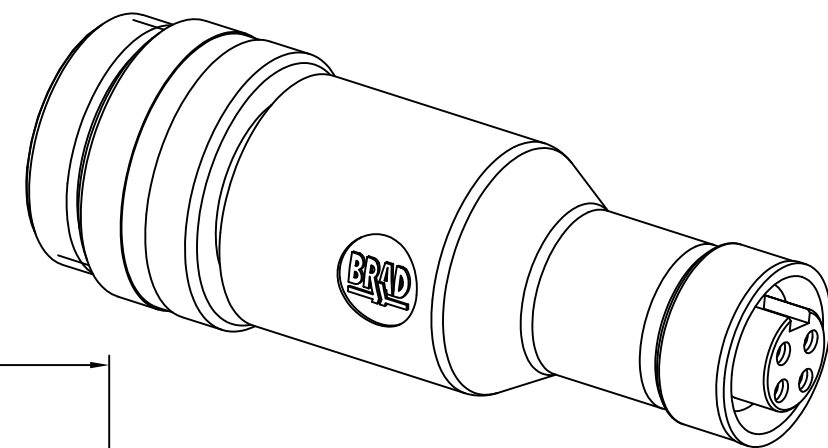


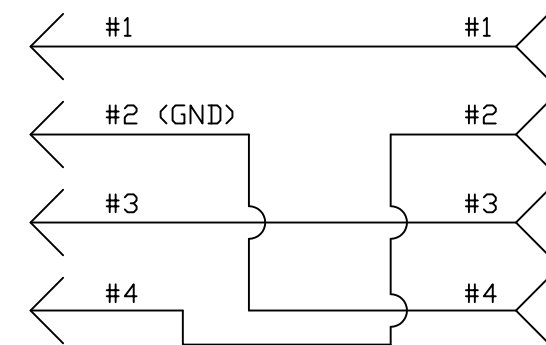
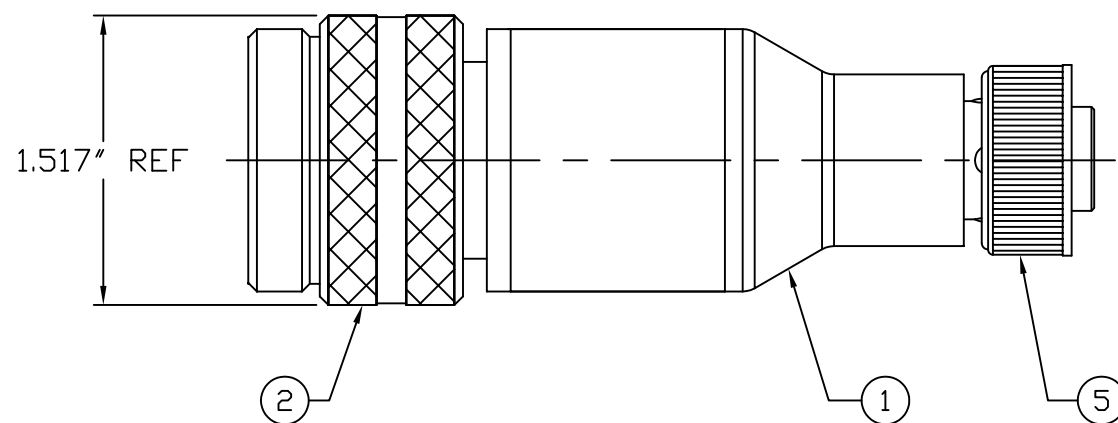
PART NUMBER	ENGINEERING NUMBER
1300680019	1C4030-001



NOTE:

- 1) LABEL IS MARKED WITH P/N, DATE CODE, VOLTAGE & AMPERAGE
- 2) ELECTRICAL DATA:  
REDUCING ADAPTER QC TO MC  
POLES: 4  
MAX. VOLTAGE: 600V AC/DC  
MAX.CURRENT: 15A  
PROTECTION: IP67  
TEMPERATURE RANGE: -20°C TO 90°C
- 3) PACKAGING:  
ASSEMBLIES ARE BAGGED SEPERATELY IN POLY BAGS WITH BAR CODE LABEL ATTACHED TO THE OUTSIDE OF THE BAG.
- 4) ASSEMBLY IS RoHS COMPLIANT
- 5) CERTIFICATION:  
UL LISTED/CSA CERTIFIED , FILE E258922

QC MALE                      MC FEMALE



WIRE DIAGRAM

ITEM	QTY	DESCRIPTION	MATERIAL	FINISH
8	1	LABEL	PLASTIC FILM	BLACK/YELLOW
7	4	MC SOCKET CONTACT	COPPER ALLOY	GOLD PLATED
6	1	MC INSERT	PVC	BLACK
5	1	MC COUPLING NUT	ZINC ALLOY	BLACK E-COAT
4	4	QC PIN CONTACT	COPPER ALLOY	GOLD PLATED
3	1	QC INSERT	PVC	BLACK
2	1	QC COUPLING NUT	ALUMINUM	CLEAR ANODIZE
1	1	OVERMOLD	PVC	GRAY

RELEASED EC NO: WNA2010-0424 DRWN: KJOZWIK 2010/01/12 CHKD: BWOODMAN APPR: JFMURPHY 2010/01/15	DESCRIPTION REV	<b>QUALITY SYMBOLS</b> ▽=0 ▽=0	<b>GENERAL TOLERANCES (UNLESS SPECIFIED)</b> <table border="1"> <tr> <th></th> <th>mm</th> <th>INCH</th> </tr> <tr> <td>4 PLACES</td> <td>±---</td> <td>±---</td> </tr> <tr> <td>3 PLACES</td> <td>±---</td> <td>±.005</td> </tr> <tr> <td>2 PLACES</td> <td>±0.13</td> <td>±.010</td> </tr> <tr> <td>1 PLACE</td> <td>±0.25</td> <td>±.020</td> </tr> </table>		mm	INCH	4 PLACES	±---	±---	3 PLACES	±---	±.005	2 PLACES	±0.13	±.010	1 PLACE	±0.25	±.020	<b>DIMENSION STYLE</b> IN/MM DRAWN BY: KJOZWIK DATE: 2010/01/12 CHECKED BY: BWOODMAN DATE: 2010/01/11 APPROVED BY: JFMURPHY DATE: 2010/01/15	SCALE: 1:1 DESIGN UNITS: INCH THIRD ANGLE PROJECTION
			mm	INCH																
		4 PLACES	±---	±---																
		3 PLACES	±---	±.005																
2 PLACES	±0.13	±.010																		
1 PLACE	±0.25	±.020																		
<b>DRAFT WHERE APPLICABLE MUST REMAIN WITHIN DIMENSIONS</b>			MATERIAL NO. SEE TABLE	TITLE: BRAD POWER PASS-THRU 4 POLE QC AC MALE/MC FEMALE																
			SIZE B	MOLEX INCORPORATED																
			THIS DRAWING CONTAINS INFORMATION THAT IS PROPRIETARY TO MOLEX INCORPORATED AND SHOULD NOT BE USED WITHOUT WRITTEN PERMISSION																	

SD-130068-003

1 OF 1