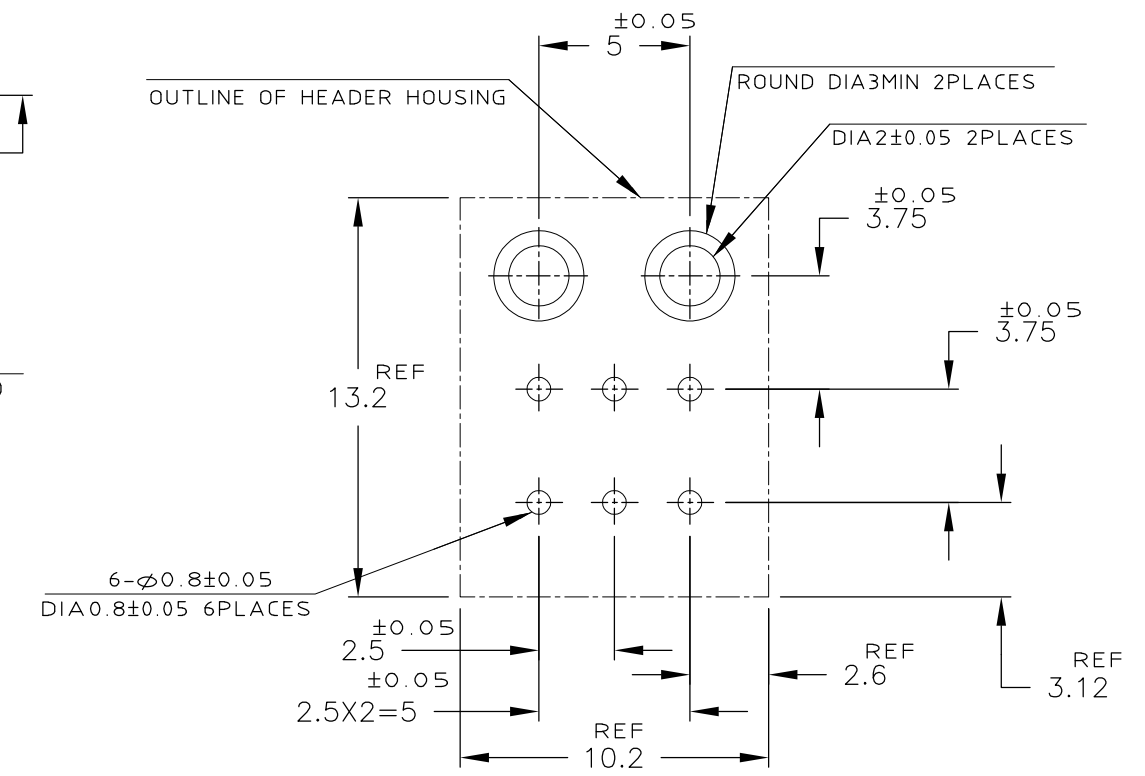
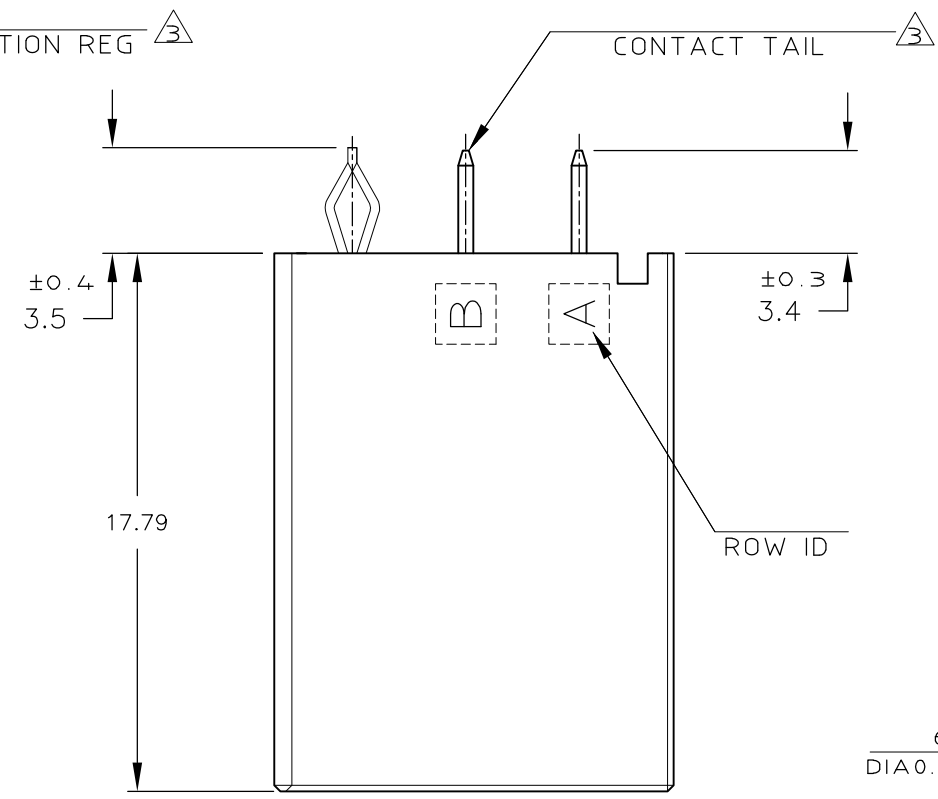
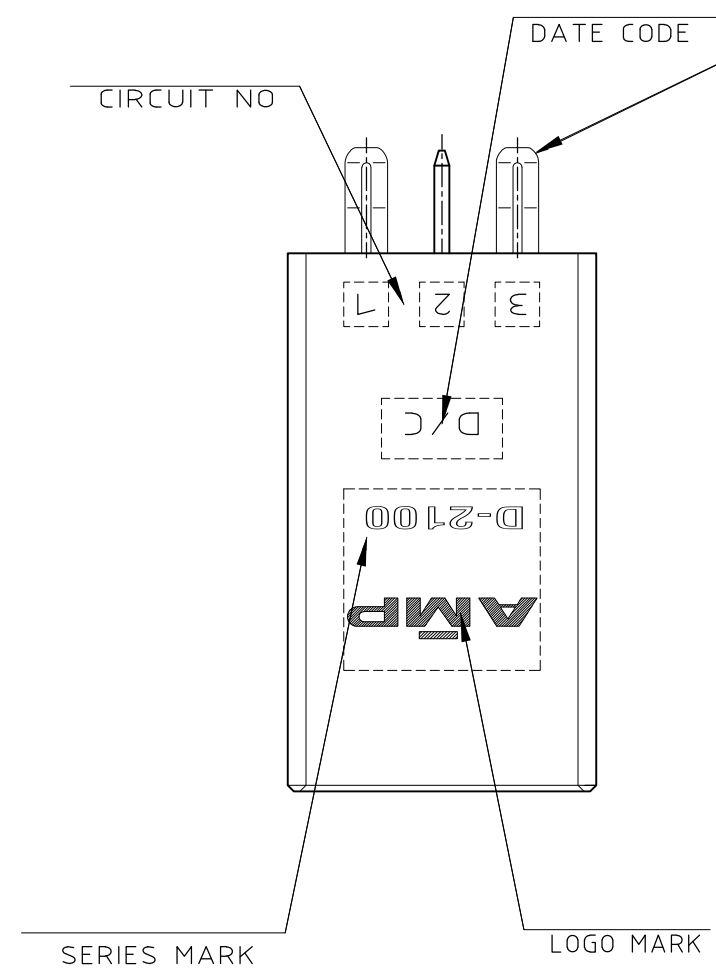
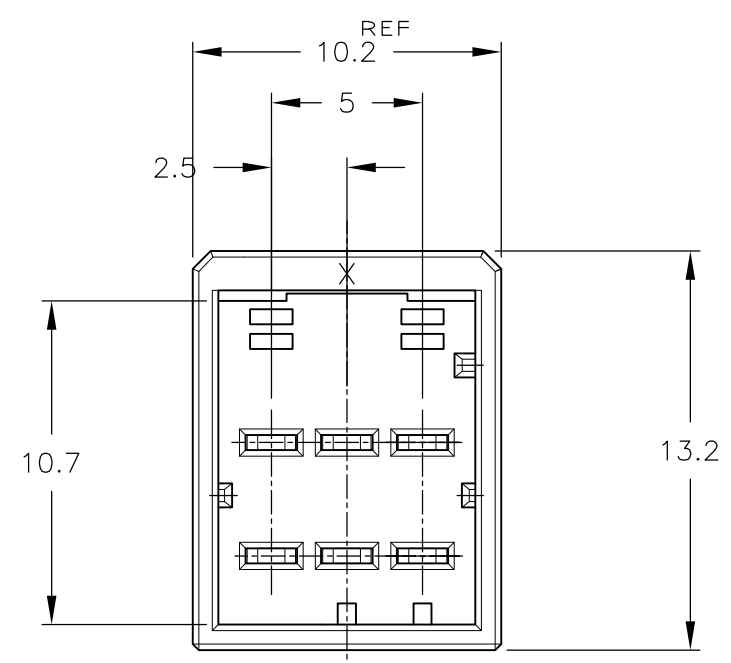


THIS DRAWING IS UNPUBLISHED. RELEASED FOR PUBLICATION ,1998  
 © COPYRIGHT 2011APR BY-Tyco Electronics Japan G.K. ALL RIGHTS RESERVED.

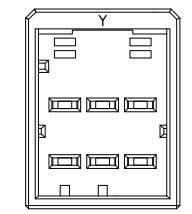
LOC	DIST	REVISIONS					
J	ZDI	P	LTR	DESCRIPTION	DATE	DWN	APVD
		C		REVISED	25APR11	MM	NY



RECOMENDED PC BOARD HOLE PATTERN(TOL:±0.05)  
 PC BOARD THICKNESS:1.6±0.3  
 (CONNECTOR MOUNT SIDE)



1318124-1  
(KEYING X)



1318124-2  
9-1318124-2  
(KEYING Y)  
SCALE:2-1

- NOTES
- MATERIAL:HOUSING:GLASS FILED THERMO PLASTIC POLYESTER(94V-0),  
 COLOR : 1-/2- : BLACK  
 : 9- : NATURAL  
 TAB CONTACT:COPPER ALLOY  
 RETENTION LEG:BRASS
  - FINISH(CONTACT AREA):0.38μMIN GOLD PLATING OVER Ni PLATING
  - FINISH(RETENTION LEG): TIN PLATED (CONTACT TAIL) OVER NICKEL

Y	NATURAL	9-1318124-2
Y	BLACK	1318124-2
X	BLACK	1318124-1
KEY	COLOR	PART NO

DWN K.IKEDA 7/DEC/'98		TE Connectivity	
CHK N.MATSUBARA 7/DEC/'98			
APVD I.HASEGAWA 7/DEC/'98		NAME	
PRODUCT SPEC		DOUBLE ROW HEADER ASS'Y 6P ("V"TYPE) <DYNAMIC D-2100D>	
APPLICATION SPEC		SIZE CAGE CODE DRAWING NO	
108-5619		A3 00779 C-1318124	
WEIGHT		RESTRICTED TO	
114-5258		-	
MATERIAL SEE NOTES		SCALE 4-1 SHEET 1 OF 1 REV C	
FINISH SEE NOTES		CUSTOMER DRAWING	