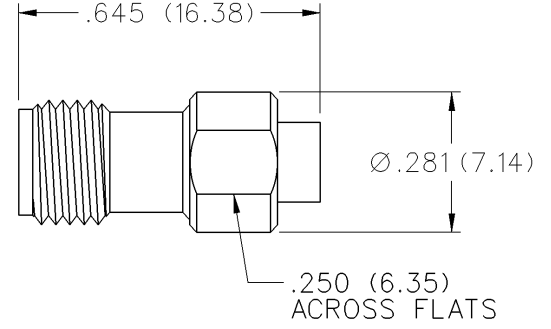


# Between Series Adapter SMA Jack to MMCX Jack



VSWR & FREQUENCY RANGE	GOLD PLATED
1.05 + .05f (GHz) 0-6 GHz	134-1019-171