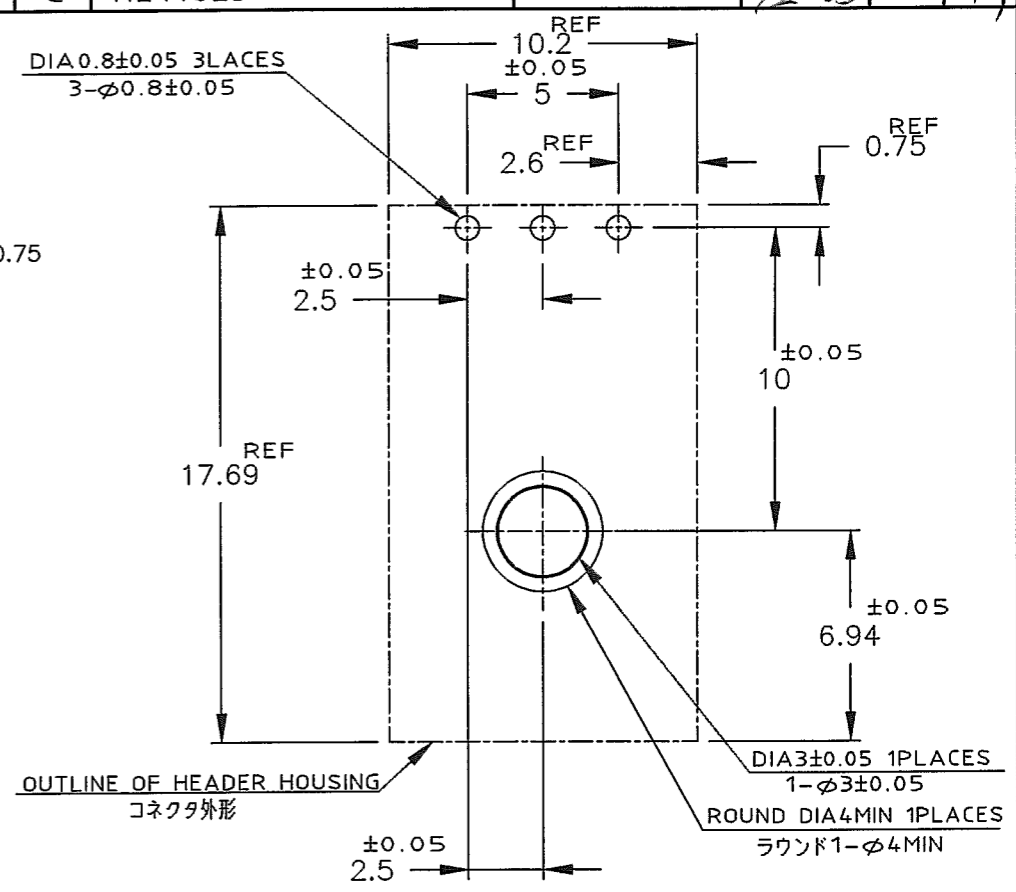
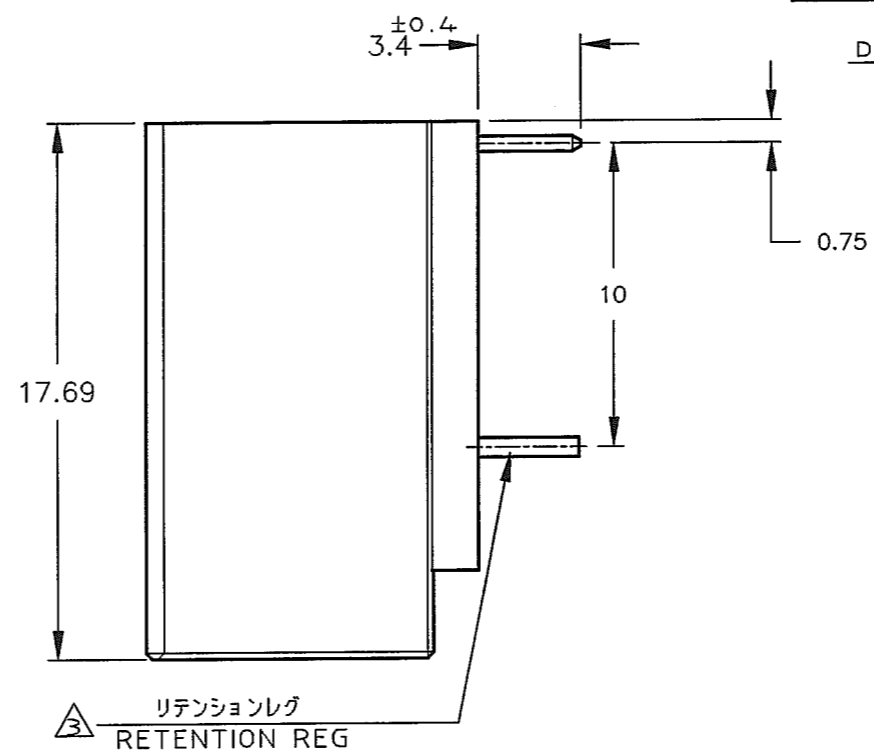
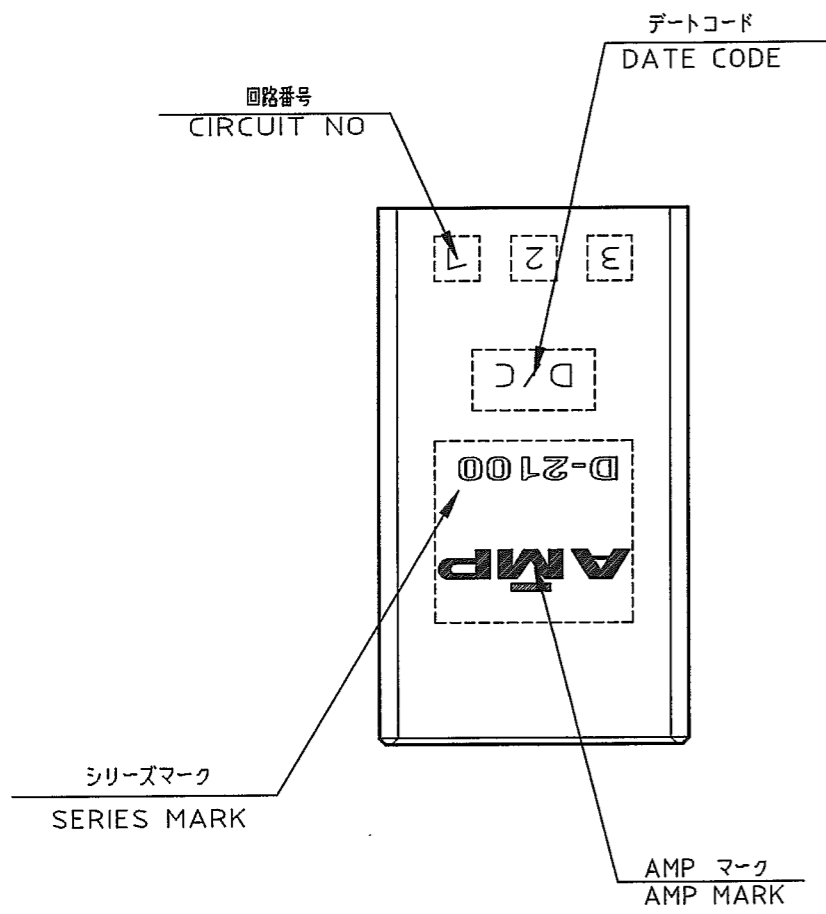


THIS DRAWING IS UNPUBLISHED. RELEASED FOR PUBLICATION 1998
 © COPYRIGHT 1998 BY AMP INCORPORATED. ALL RIGHTS RESERVED.

LOC J
 DIST

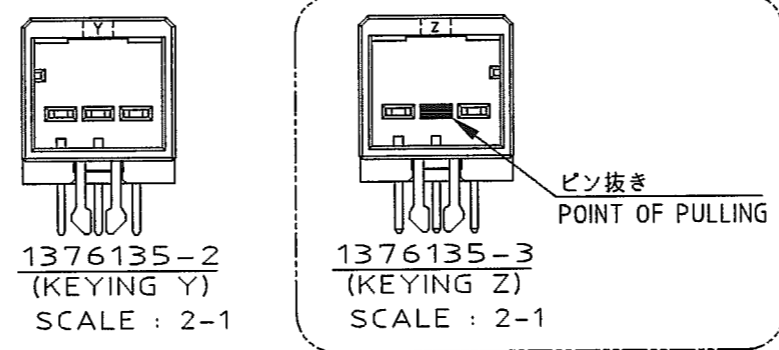
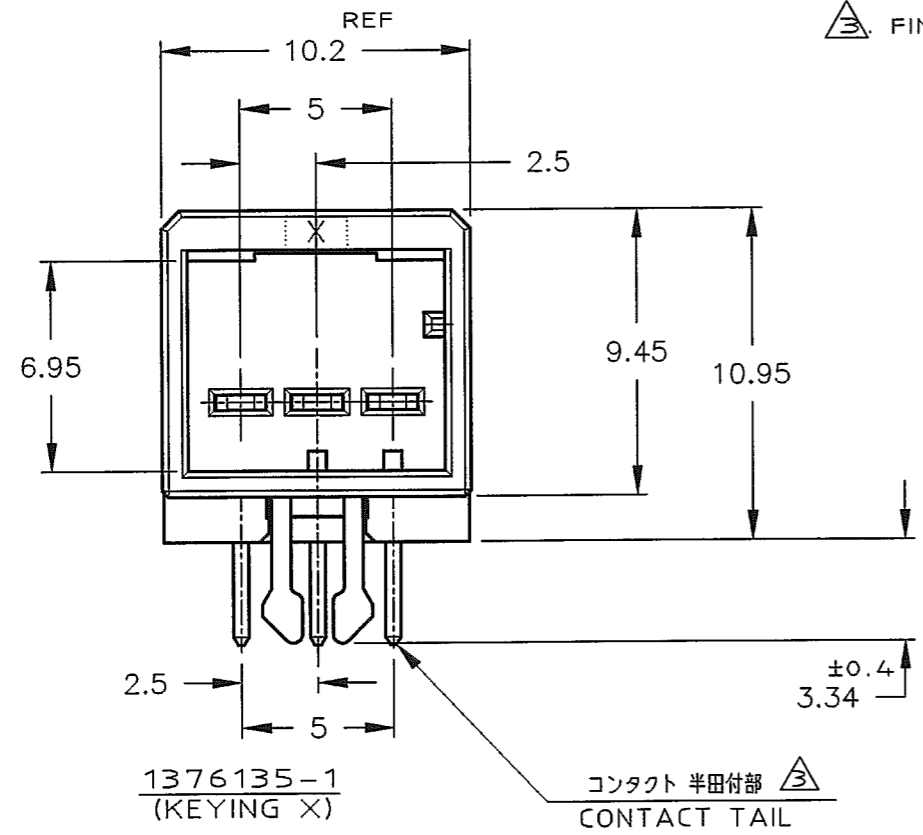
REVISIONS					
P	LTR	DESCRIPTION	ECN	DATE	DWN APVD
0		RELEASED	FJ00-1755-99	28FEB'00	K.I. I.H
A		REVISED	FJ00-1080-00	21SEP'00	Y.K. S.M
B		REVISED	FJ00-2536-02	5DEC'02	T.S. S.M
C		REVISED	FJD0-0039-03	6/2 '03	T.S. S.M



NOTES
 1. MATERIAL: HOUSING: GLASS FILED THERMO PLASTIC, POLYESTER(94V-0), COLOR: BLACK
 TAB CONTACT: COPPER ALLOY
 RETENTION LEG: BRASS
 △ FINISH (CONTACT AREA): 0.38μm MIN GOLD PLATING OVER NI PLATING
 △ FINISH (RETENTION LEG): TIN PLATED (CONTACT TAIL) OVER NICKEL

推奨基板取付け寸法公差: ±0.05
 PC 基板厚: 1.6±0.3 (コネクタ搭載面)
 RECOMENDED PC BOARD HOLE PATTERN (TOL: ±0.05)
 PC BOARD THICKNESS: 1.6±0.3 (CONNECTOR MOUNT SIDE)

注記
 1. 材料: ハウジング: ガラス入り熱可塑性ポリエステル樹脂 (94V-0), 色: 黒
 タブ コンタクト: 銅合金
 リテンションレグ: 黄銅
 △ めっき: コンタクト: 全面Ni下地 接触部: 0.38μm MIN金めっき
 △ めっき: リテンションレグとコンタクト半田付部: ニッケル下地の上にスズめっき



THIS DRAWING IS A CONTROLLED DOCUMENT FOR AMP INCORPORATED. IT IS SUBJECT TO CHANGE AND THE CONTROLLING ENGINEERING ORGANIZATION SHOULD BE CONTACTED FOR THE LATEST REVISION.		DWN K.IKEDA 24/FEB/'00		Tyco Electronics AMP K.K. Kawasaki, Japan	
DIMENSIONS: 単位 形 mm		CHK Y.KATO 28/FEB/'00		NAME 1列 ヘッダーアセンブリー 3P	SINGLE ROW HEADER ASS'Y 3P ("H" TYPE) <DYNAMIC D-2100S>
TOLERANCES UNLESS OTHERWISE SPECIFIED		APVD I.HASEGAWA 28/FEB/'00	PRODUCT SPEC 108-5619	SIZE A3	CAGE CODE 00779
MATERIAL 注記参照 SEE NOTES		APPLICATION SPEC 114-5258	WEIGHT	DRAWING NO 1376135	RESTRICTED TO
FINISH 注記参照 SEE NOTES		CUSTOMER DRAWING		SCALE 4-1	SHEET 1 OF 1