

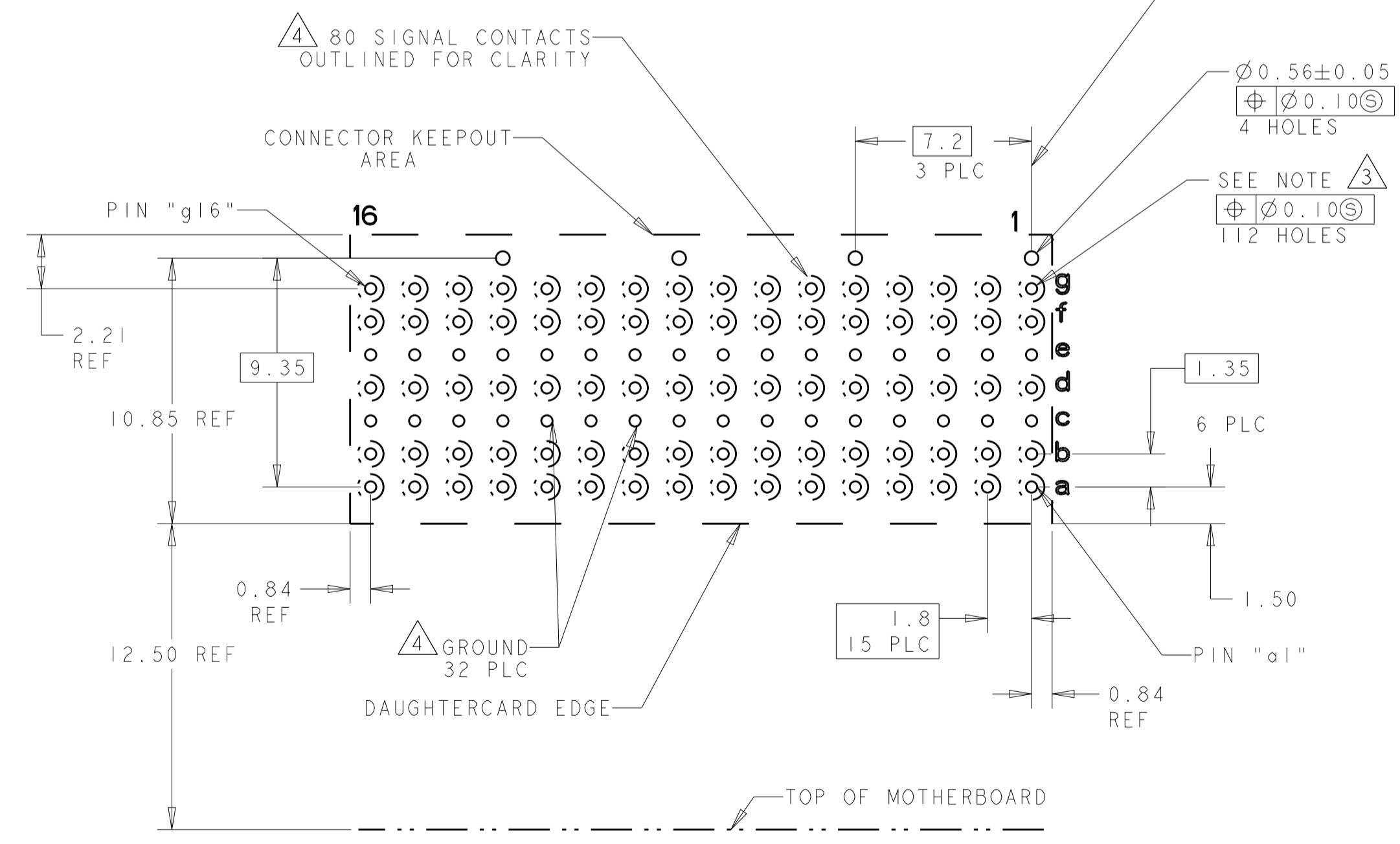
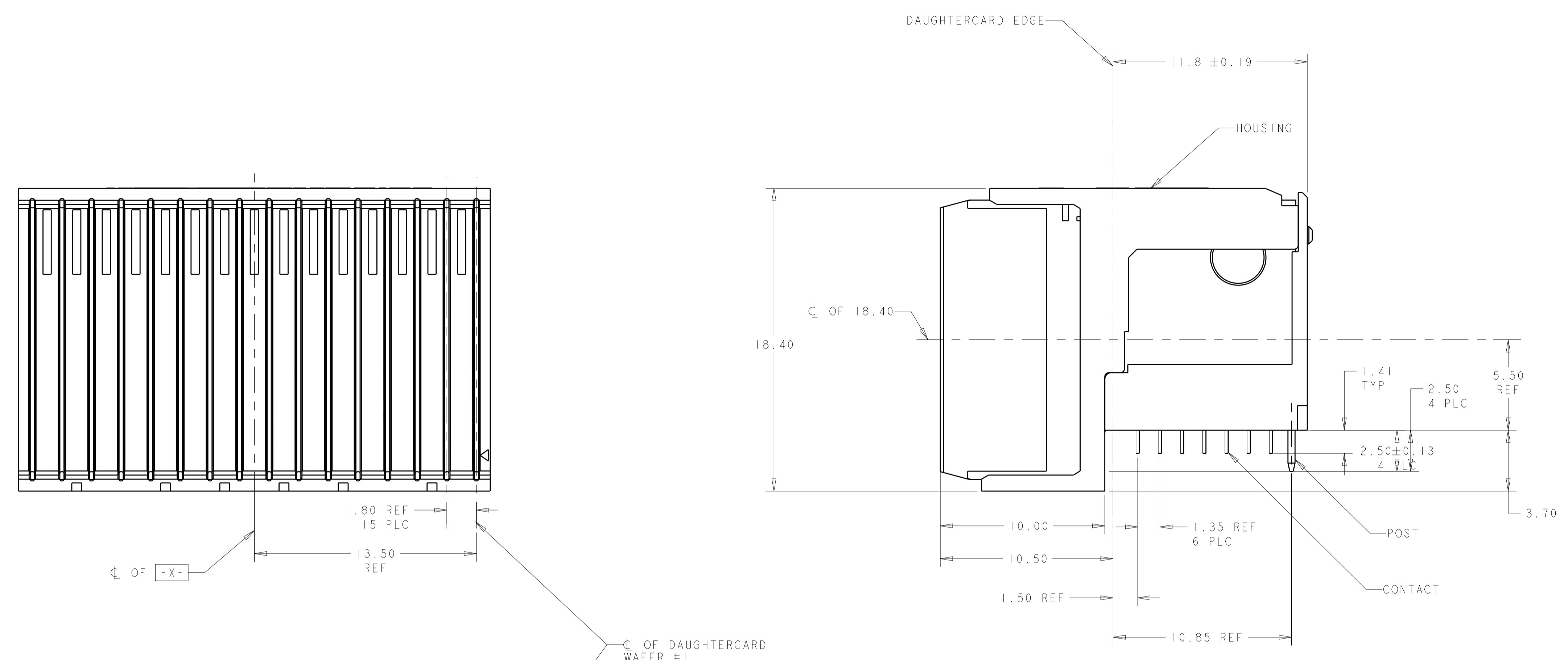
LOC	DIST	REVISIONS					
		P	LTN	DESCRIPTION	DATE	DWN	APVD
GP	00	B2		REVISED PER ECO-12-011792	20JUL2012	KH	AS

- 1 HOUSING: LCP, UL94V0, COLOR: BLACK.
CONTACT: PHOSPHOR BRONZE.
POST: BRASS WIRE
- 2 CONTACT: 0.76µm MIN GOLD IN PAD CONTACT AREA,
1.27µm MIN TIN-LEAD ON PCB TAIL
OVER 1.27µm MIN NICKEL OVER ALL.
POST 1.27µm MIN NICKEL PLATED.
- 3 PLATE THROUGH HOLE PER 114-13056,
FIGURE 4.
- 4 SEE TABLE 1 FOR INTERCONNECTIONS TO
BACKPLANE CONNECTOR.
- 5 CONTACT: 0.76µm MIN GOLD IN PAD CONTACT AREA,
CONTACT: 1.27µm MIN TIN ON PCB TAIL
OVER 1.27µm MIN NICKEL OVER ALL.
POST 1.27µm MIN NICKEL PLATED.
- 6 CONTACT: 1.27µm MIN GOLD IN PAD CONTACT AREA,
1.27µm MIN TIN-LEAD ON PCB TAIL
OVER 1.27µm MIN NICKEL OVER ALL.
POST 1.27µm MIN NICKEL PLATED.
- 7 CONTACT: 1.27µm MIN GOLD IN PAD CONTACT AREA,
1.27µm MIN TIN ON PCB TAIL
OVER 1.27µm MIN NICKEL OVER ALL.
POST 1.27µm MIN NICKEL PLATED.

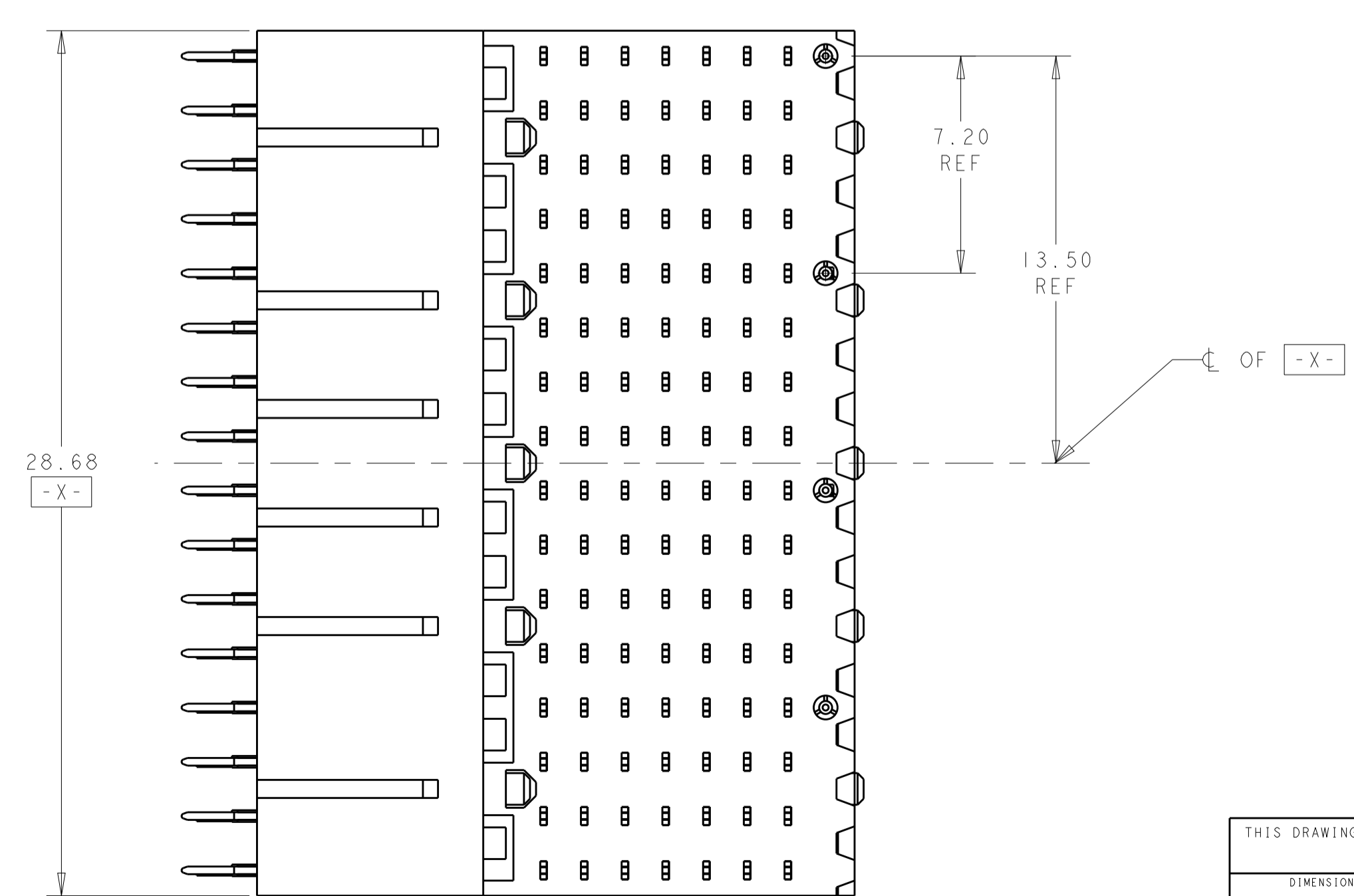
TABLE 1
INTERCONNECTIONS WITH BACKPLANE CONNECTOR 1410140

TYPICAL INTERCONNECTIONS FOR EACH COLUMN (WAFER): 1-16		
CONTACT USAGE	DAUGHTERCARD CONNECTOR PIN	BACKPLANE CONNECTOR PIN
SIGNAL	ax	bx
SIGNAL	bx	cx
SIGNAL	dx	ex
SIGNAL	fx	gx
SIGNAL	gx	hx
GROUND	cx, ex, (ALL COMMONED)	ax, dx, fx, ix

NOTE: "x" DESIGNATES THE COLUMN NUMBER



PC BOARD LAYOUT
(CONNECTOR SIDE)
SEE SHEET 2 FOR RTM
SCALE 5:1



7	1410190-4
6	1410190-3
5	1410190-2
2	1410190-1
PLATING	PART NO

THIS DRAWING IS A CONTROLLED DOCUMENT.

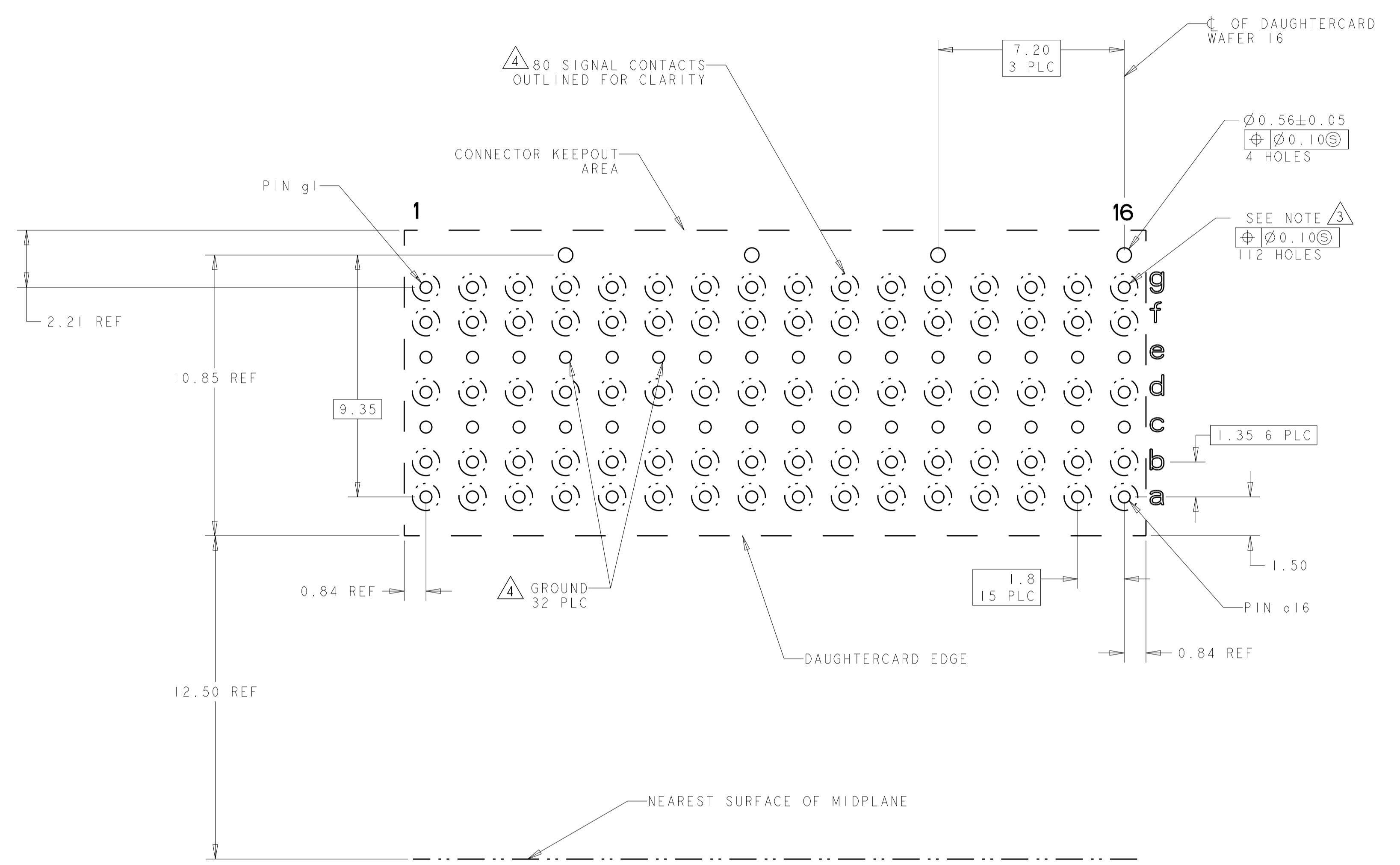
DIMENSIONS:	TOLERANCES UNLESS OTHERWISE SPECIFIED:	DWN	01JUN2004
mm	0 PLC ±0.5	CH	01JUN2004
	1 PLC ±0.13	J	CONSOLI
	2 PLC ±0.13	APVD	G. GRIFFITH
	3 PLC ±0.13	NAME	14MAR2006
	4 PLC ±0.13	PRODUCT SPEC	
	ANGLES ±1°	APPLICATION SPEC	
MATERIAL	FINISH	SIZE	114-13056
		WEIGHT	
	SEE TABLE	CUSTOMER DRAWING	

RIGHT-ANGLE PLUG ASSEMBLY, 7 ROW, CENTER, 20.3mm, SINGLE ENDED, MultiGig RT2, DAUGHTERCARD CONNECTOR

SCALE 5:1 SHEET 1 OF 2 REV B2

LOC		DIST		REVISIONS				
GP	00	P	LTN	DESCRIPTION	DATE	DWN	APVD	
		-		SEE SHEET 1				

REAR TRANSITION MODULE APPLICATION



PC BOARD REAR TRANSITION MODULE
 SCALE 8:1

THIS DRAWING IS A CONTROLLED DOCUMENT.		DWN L. SIPE 01JUN2004	TE Connectivity											
DIMENSIONS: mm		CHK J. CONSOLI 01JUN2004												
TOLERANCES UNLESS OTHERWISE SPECIFIED:		APVD G. GRIFFITH 14MAR2006	NAME RIGHT-ANGLE PLUG ASSEMBLY, 7 ROW, CENTER, 20.3mm, SINGLE ENDED, MultiGig RT2, DAUGHTERCARD CONNECTOR											
<table border="1"> <tr><td>0 PLC</td><td>±</td></tr> <tr><td>1 PLC</td><td>±0.5</td></tr> <tr><td>2 PLC</td><td>±0.13</td></tr> <tr><td>3 PLC</td><td>±</td></tr> <tr><td>4 PLC</td><td>±</td></tr> </table>		0 PLC	±	1 PLC	±0.5	2 PLC	±0.13	3 PLC	±	4 PLC	±	PRODUCT SPEC 108-2072	SIZE A100779C=1410190	
0 PLC	±													
1 PLC	±0.5													
2 PLC	±0.13													
3 PLC	±													
4 PLC	±													
MATERIAL: -		APPLICATION SPEC 114-13056	RESTRICTED TO											
FINISH: -		WEIGHT: -	SCALE 5:1 SHEET 2 OF 2 REV B2											
SEE TABLE		CUSTOMER DRAWING												