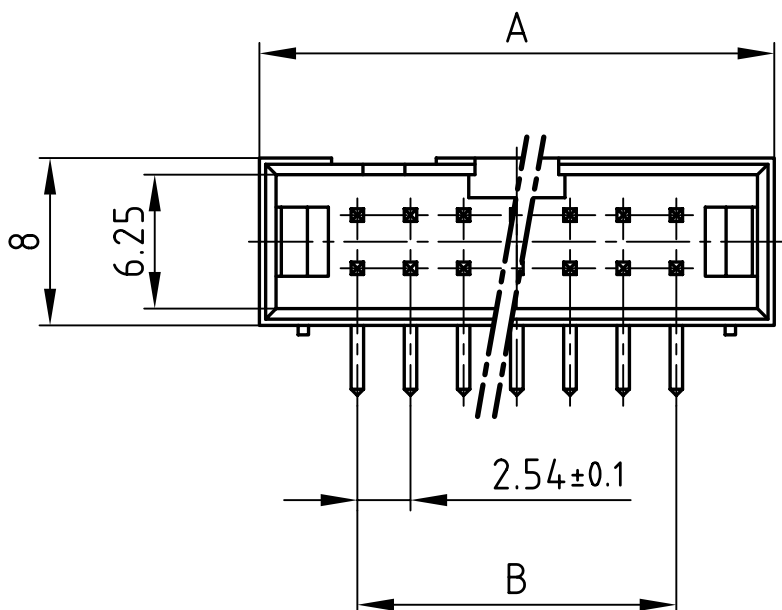
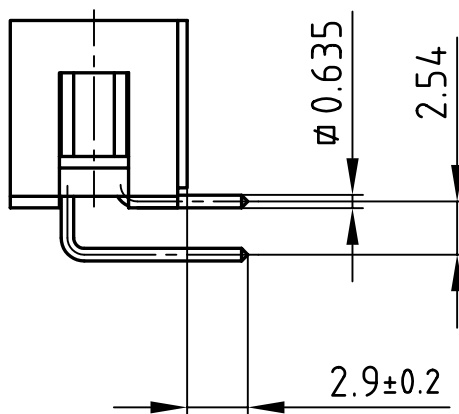
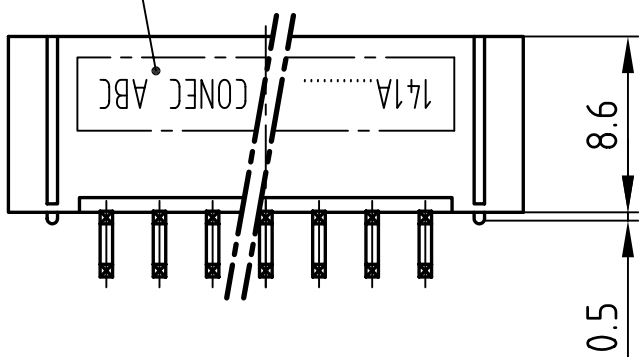


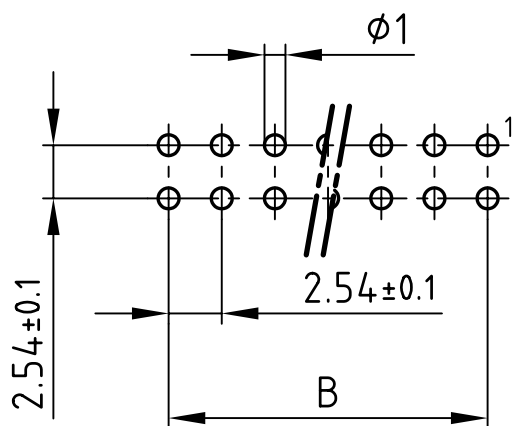
used for:

SEE NOTE 8



Pos.	A	B	Part-No.
10	19.6	4x2.54=10.16	141A11909X
14	24.6	6x2.54=15.24	141A11919X
16	27.2	7x2.54=17.78	141A11929X
20	32.2	9x2.54=22.86	141A11939X
26	39.9	12x2.54=30.48	141A11949X
34	50.0	16x2.54=40.64	141A11959X
40	57.7	19x2.54=48.26	141A11969X
50	70.4	24x2.54=60.96	141A11979X

P.C.B.-HOLE DRILLINGS



NOTES:

- INSULATOR: PBT 20% GF
- CONTACTS: COPPER ALLOY; GOLD PLATED
- WITHSTANDING VOLTAGE: 1000V DC OR AC PEAK
- CURRENT RATING: 1A
- CONTACT RESISTANCE: 20mOHM
- INSULATION RESISTANCE: 5000MOhm at 100V
- LIFE: 50 MATING CYCLES
- CONNECTOR IS PART MARKED: PART-NO. CONEC ABC

APPROVAL # FREIGABE # DEBLOCAGE # AUTOR/ZACION # APPROVAL

CUSTOMER APPROVAL DATE:

NAME: TITLE:

COMPANY NAME:

APPROVAL # FREIGABE # DEBLOCAGE # AUTOR/ZACION # APPROVAL



THIS DRAWING MAY NOT BE COPIED OR REPRODUCED IN ANY WAY, AND MAY NOT BE PASSED ON TO A THIRD PARTY WITHOUT WRITTEN PERMISSION.
 OWNERSHIP AND COPYRIGHT OF CONEC GmbH
 DO NOT ALTER CAD DRAWING BY HAND

tolerance			
2009	date	name	
drawn	14.12.	Lehmenkühler	
appd.	15.12.	Fischer	
norm	DIN 41651		
d-old			
a	Origin		
rev.	description	date	name

scale: 2:1

material: SEE NOTES

title: LOW PROFILE HEADER
10-50pos.
with right angle solder pins

dwg no: AutoCAD 2006 DIN-A
14K1A026 4
sh: 1/1

part no: SEE TABLE

4

3

2

1

A

A

D

D

E

E

F

F