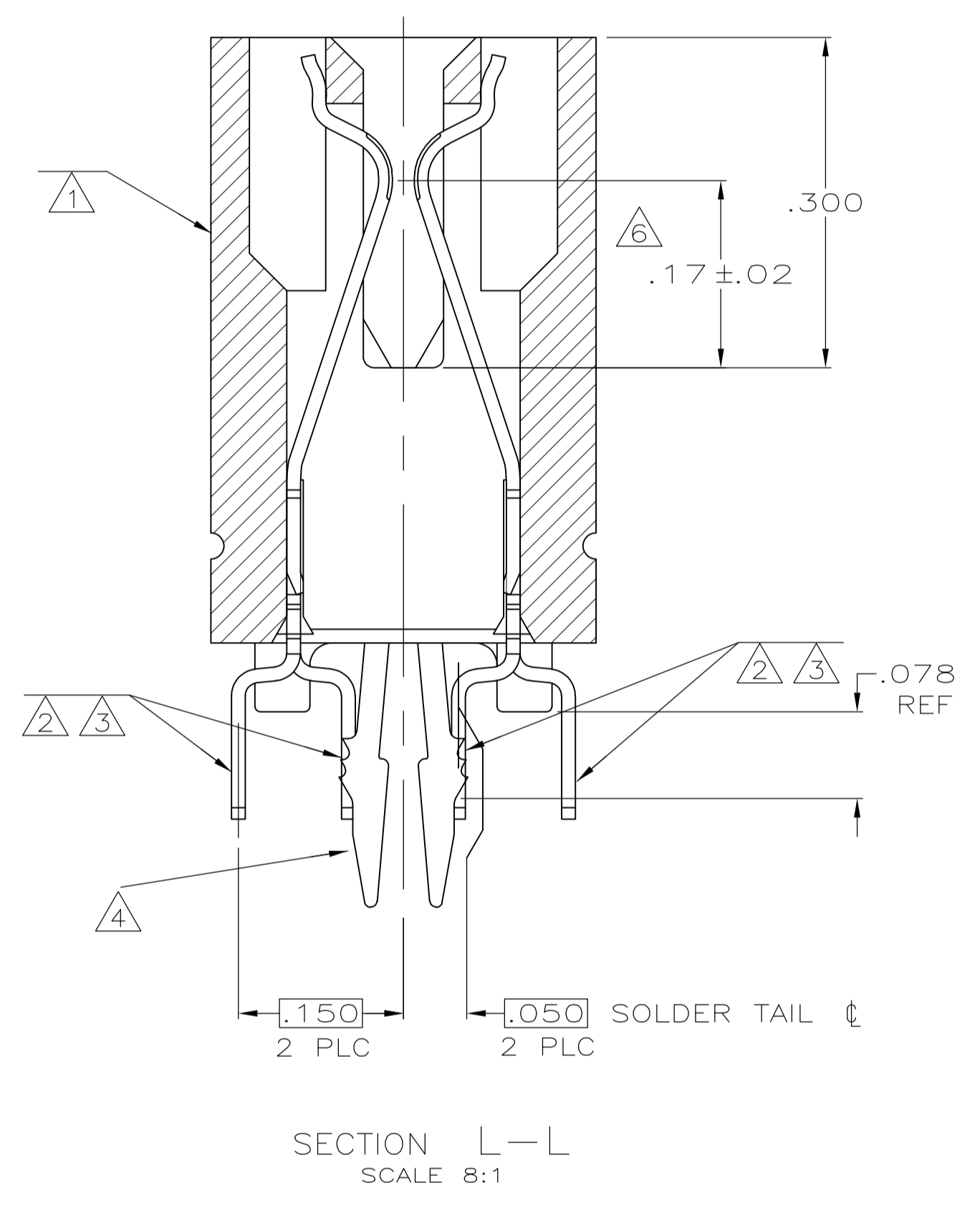
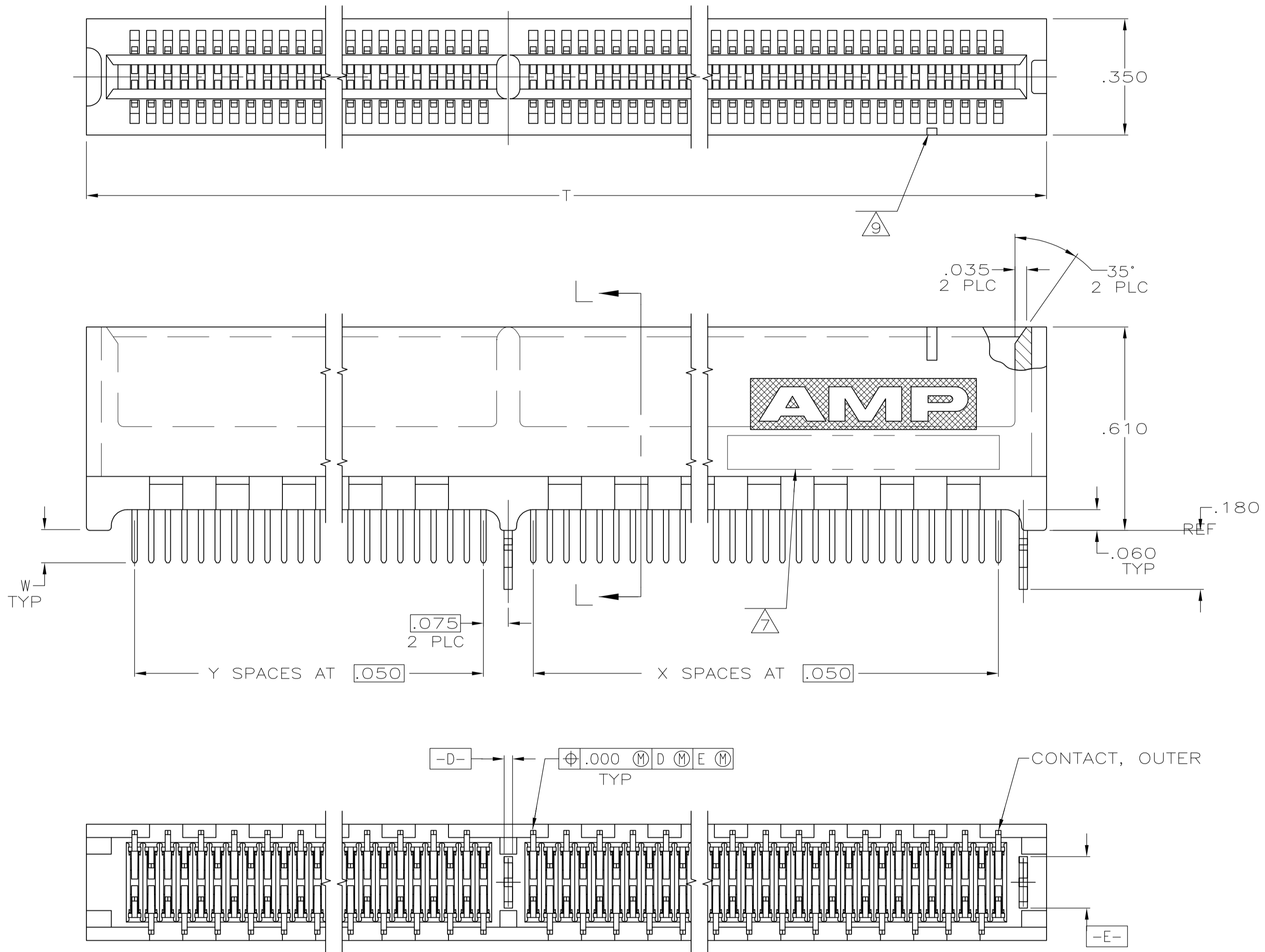


LOC		DIST		REVISIONS			
AA	00	REV	DATE	DESCRIPTION	DATE	BY	APP'D
N	ECO-06-010778		12AUG06			LAM	AWF
N1	REVISED PER ECO-09-020935		03SEP09			KK	AEG



- ① HOUSING: HIGH TEMPERATURE THERMOPLASTIC. COLOR: BROWN.
- ② CONTACT: PHOSPHOR BRONZE.
- ③ CONTACT FINISH: .000050 MIN NICKEL ALL OVER. .000030 MIN GOLD OVER NICKEL IN CONTACT AREA. .000100 MIN TIN-LEAD OVER NICKEL ON SOLDER TAILS.
- ④ METAL HOLD DOWN: BRASS
- ⑤ METAL HOLD DOWN FINISH: .000050 MIN NICKEL ALL OVER, .000150 MIN TIN-LEAD ALL OVER
- ⑥ DISTANCE FROM CONTACT POINT TO BOTTOM OF CARD SLOT.
- ⑦ AMP PART NUMBER, DATE CODE AND CSA LOGO MARKED IN APPROXIMATE AREA SHOWN.
- ⑧ DISTANCE FROM CONTACT POINT TO BOTTOM OF CARD SLOT.
- ⑨ PIN ONE IDENTIFIER NOTCH ONLY ON PART NUMBERS INDICATED.
- ⑩ OBSOLETE PARTS: OBSOLETE CIS STREAMLINING PER D.RENAUD/D.SINISI

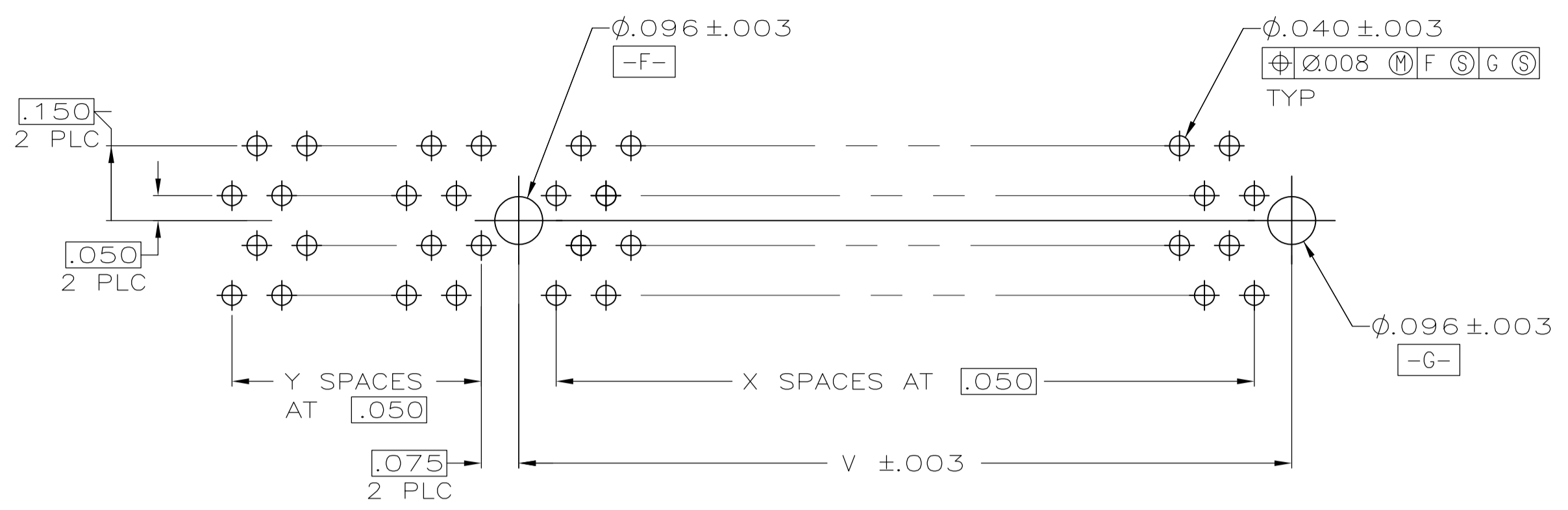
	.125	YES	B	2.350	2.310	3.14	.610	10	44	56	145020-8
	.140	YES	A	2.550	2.510	4.89	2.160	41	48	91	145020-7
OBSOLETE	.125	YES	A	2.550	2.510	4.89	2.160	41	48	91	145020-6
SUPERSEDED	.125	NO	D	1.800	1.760	2.59	.610	10	33	45	145020-5
OBSOLETE	.140	NO	C	2.200	2.160	4.34	1.960	37	41	80	145020-4
OBSOLETE	.100	NO	D	1.800	1.760	2.59	.610	10	33	45	145020-3
OBSOLETE	.100	YES	B	2.350	2.310	3.14	.610	10	44	56	145020-2
OBSOLETE	.100	YES	A	2.550	2.510	4.89	2.160	41	48	91	145020-1
W	PIN ONE IDENTIFIER	HOLE PATTERN	V	U	T	S	Y	X	NO OF DUAL POSN	PART NUMBER	

SEE SHEET 2 FOR HOLE PATTERN

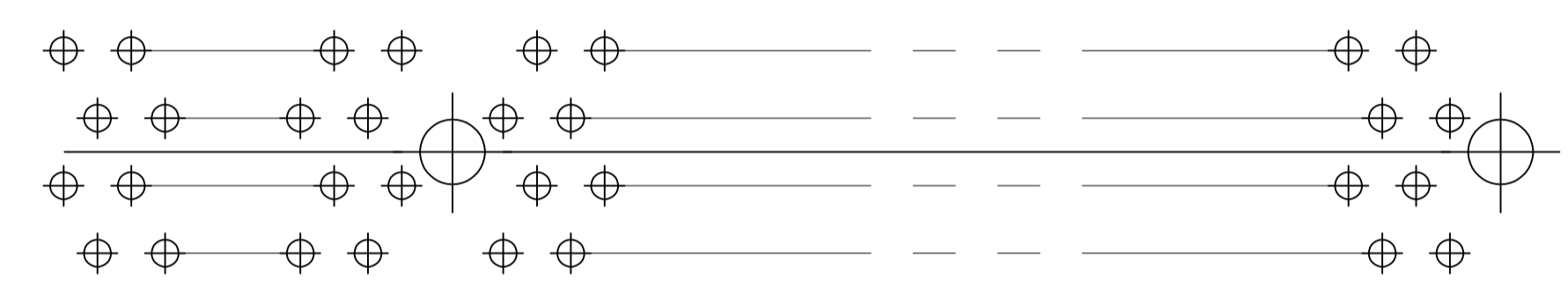
THIS DRAWING IS A CONTROLLED DOCUMENT.

DIMENSIONS: INCHES	TOLERANCES UNLESS OTHERWISE SPECIFIED:	DIN R BROWN 4-20-93	tyco Electronics
0 PLC ± .01	1 PLC ± .01	CHK J. DIORAZO 4-28-93	Tyco Electronics Corporation Harrisburg, Pa 17105-3608
2 PLC ± .01	3 PLC ± .005	APD M. THUMMA 4-28-93	NAME
4 PLC ± .005	ANGLES ± .2°	PRODUCT SPEC	CONNECTOR ASSEMBLY DUAL POSITION .050 SERIES, STANDARD EDGE
MATERIAL	FINISH	APPLICATION SPEC	SIZE CASE CODE DRAWING NO
		114-26012	A1 00779 C=145020
		RESTRICTED TO	SCALE 4:1 SHEET 1 OF 2 REV N1

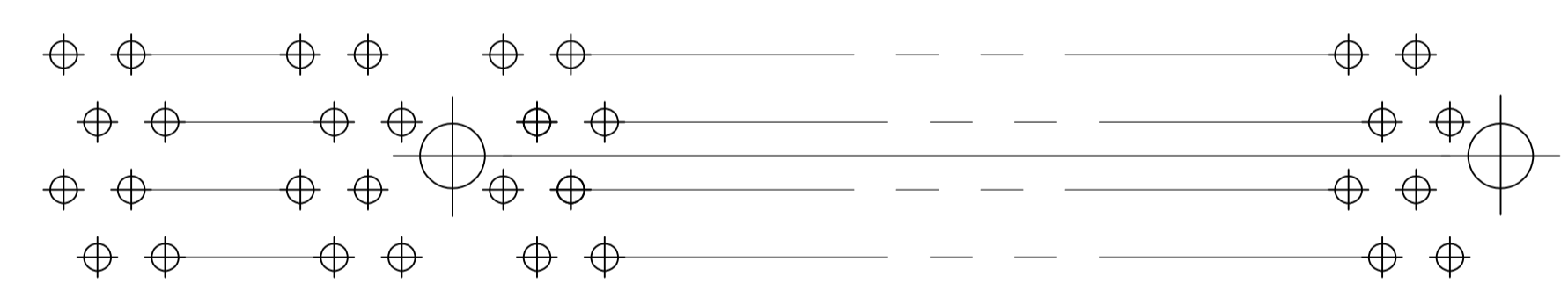
CUSTOMER DRAWING



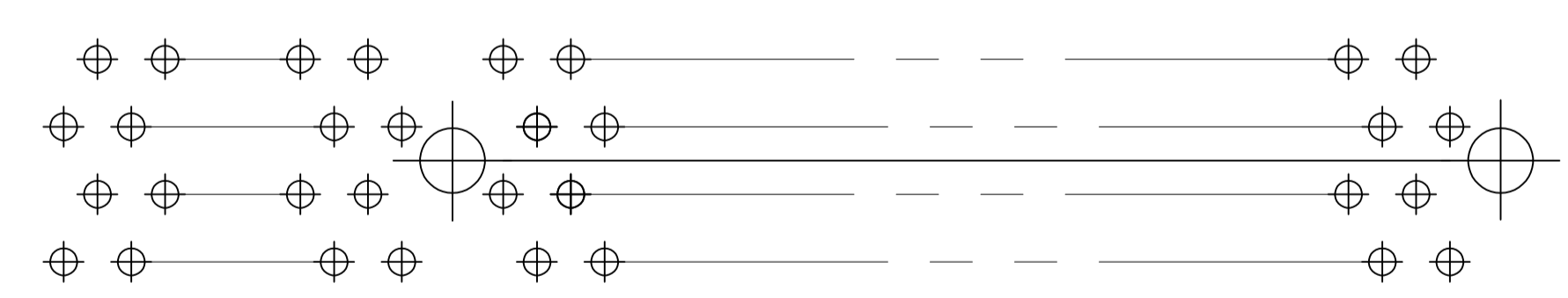
RECOMMENDED CONNECTOR MOUNTING HOLE PATTERN A  
 (CONNECTOR SIDE SHOWN)



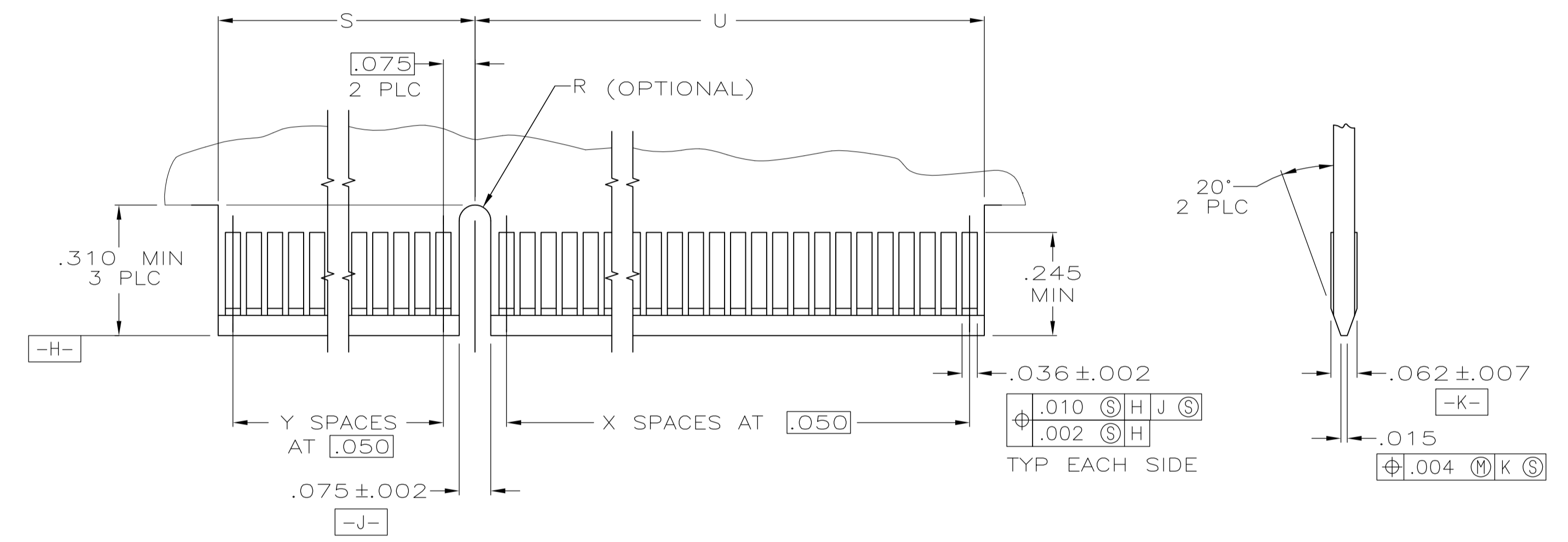
RECOMMENDED CONNECTOR MOUNTING HOLE PATTERN B  
 (CONNECTOR SIDE SHOWN)



RECOMMENDED CONNECTOR MOUNTING HOLE PATTERN C  
 (CONNECTOR SIDE SHOWN)



RECOMMENDED CONNECTOR MOUNTING HOLE PATTERN D  
 (CONNECTOR SIDE SHOWN)



RECOMMENDED MATING BOARD EDGE CONFIGURATION

THIS DRAWING IS A CONTROLLED DOCUMENT.		DIN R BROWN 4-20-93		Tyco Electronics Corporation Harrisburg, Pa 17105-3608
DIMENSIONS: INCHES		CHK J DIORAZO 4-28-93		NAME
TOLERANCES UNLESS OTHERWISE SPECIFIED:		APPD M THUMMA 4-28-93	PRODUCT SPEC	
0 PLC ± -		108-14034		
1 PLC ± .01		APPLICATION SPEC		
2 PLC ± .005		114-26012		
3 PLC ± .005		SIZE CAGE CODE DRAWING NO		
4 PLC ± .005		A1 00779 C=145020		
ANGLES ± ± °		RESTRICTED TO		
MATERIAL SEE SHEET 1	FINISH SEE SHEET 1	WEIGHT	CUSTOMER DRAWING	
		SCALE 4:1	SHEET 2 OF 2	REV N1