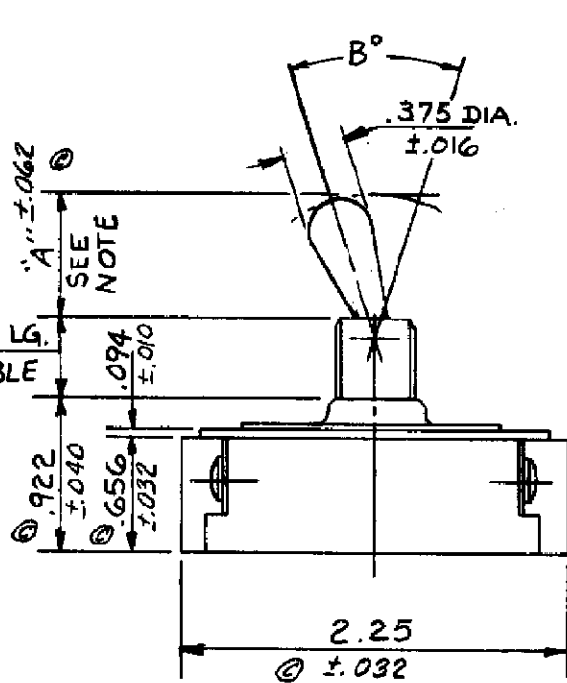
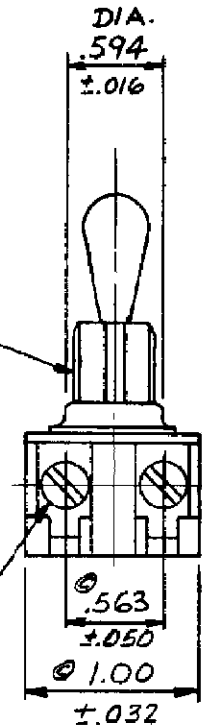


NOTE:
 STYLE LEVER "K" [ⓑ]
 ILLUSTRATED OTHER
 STYLED LEVERS
 ARE SHOWN ON
 A 24-5618



15
 32 - 32 THRD'S



4-#6-32 BINDING
 HEAD SCREWS

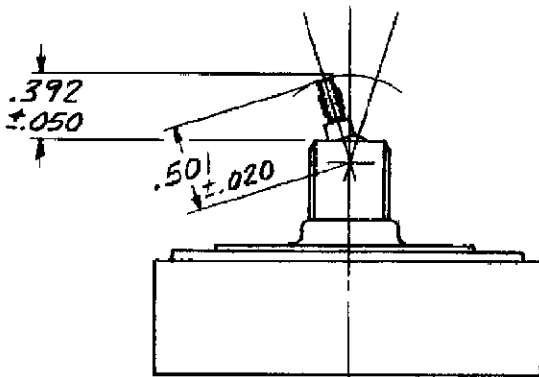


FIG. 2 [ⓐ]

L	.791	.768
K	.791	.768
J	.791	.768
G	.794	.771
F	.862	.839
E	.734	.711
D	.734	.711
C	.699	.677
LEVER STYLE A	.778	.756
A	B DIM. "A" [ⓐ]	
A DIM. "B"	B 50°±10° 37°±10°	
DESCRIPTION	B .340±.016 .469±.016	
	BUSH. LENGTH	

REVISION FOR 2. ADDED LEVER STYLE "L" TO
 TABLE "A" ±.062 WAS ±.020. 922 ±.040
 WAS ±.020. 656 ±.032 WAS
 ±.020. 501 ±.020 WAS ±.016. 563
 ±.050 WAS ±.008. 1000 ±.020 WAS
 ±.016. 3.000 ±.005 MATERIAL 702A502009
 1/1974

C
 A
 90-4740

TITLE DIMENSIONS FOR 10 AMP 250V ONE HOLE MTS. TOOL HANDLE SWITCH

ORDER NO. 702V101018 BASIC SPECS. SUMMARY

A	CHG'D TAB. FORMAT FOR CLARIFICATION	R.G. MLD	7-22-72	DR. R. GLENN	7/21/72	APP. Max Harper	7/21/72
	REVISED "A" DIM. IN TAB. ADDED TOLERANCES TO BUSH. LG. & "B" DIM. STYLE LEVER "K" WAS "A" IN NOTE.	G.T.R. R.G.	M.H.	CHK R. GLENN	7/24/72	FIRST ASSEM. WHERE LISTED	890-5435
B	REVISED TABULATION OF "A" DIM.	G.T.R. R.G.	MLD				
D		702A502009	2/14/74				

CUTLER • HAMMER