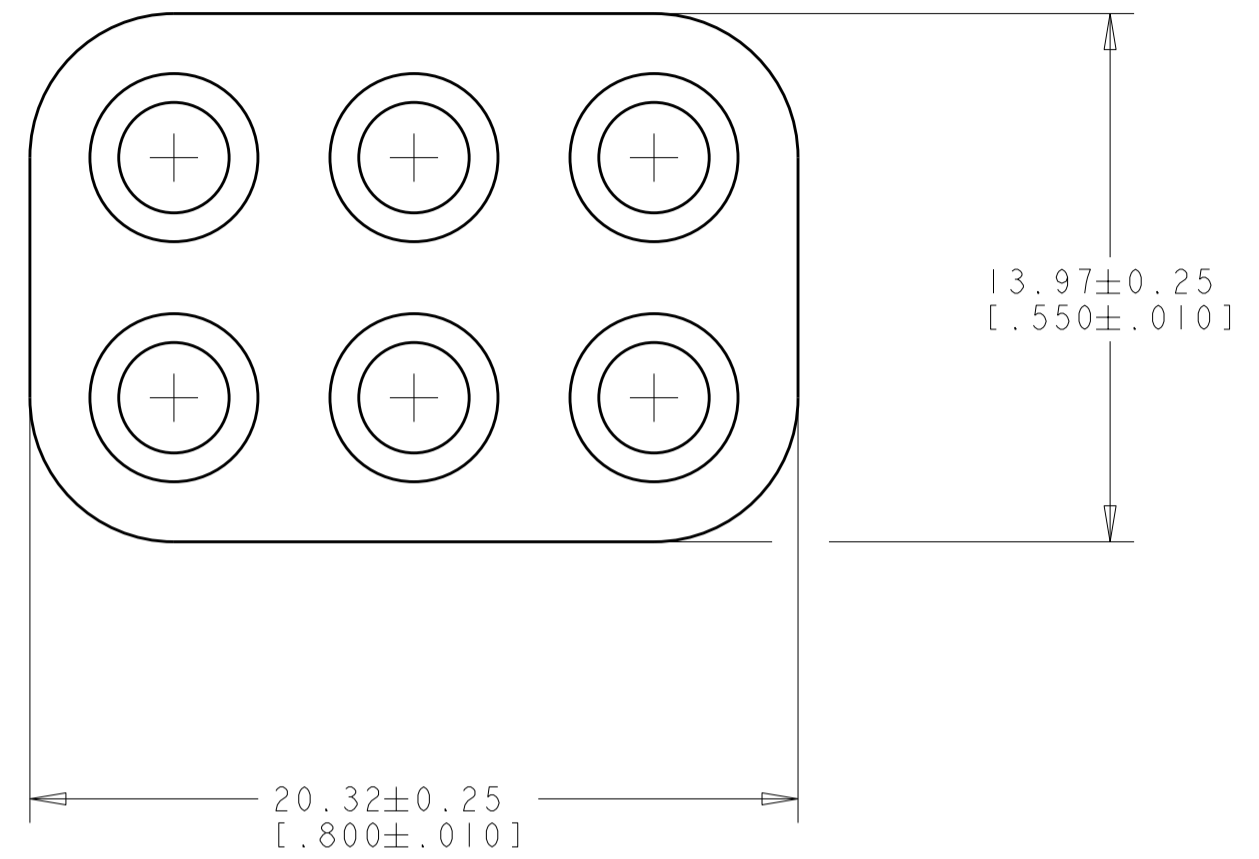
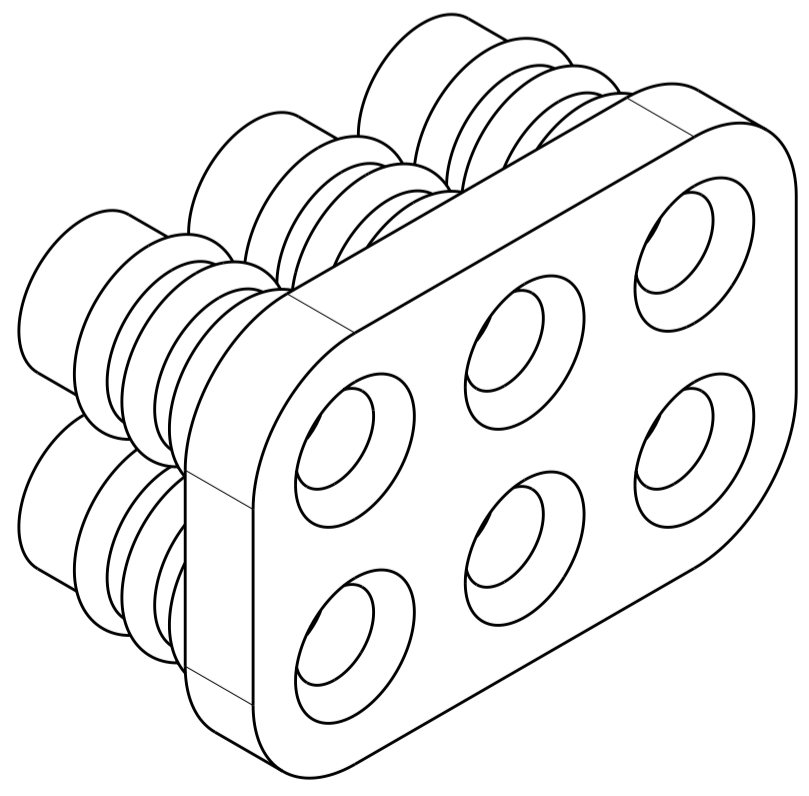
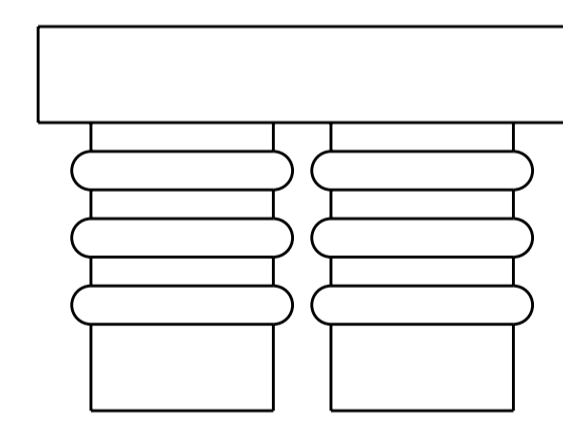
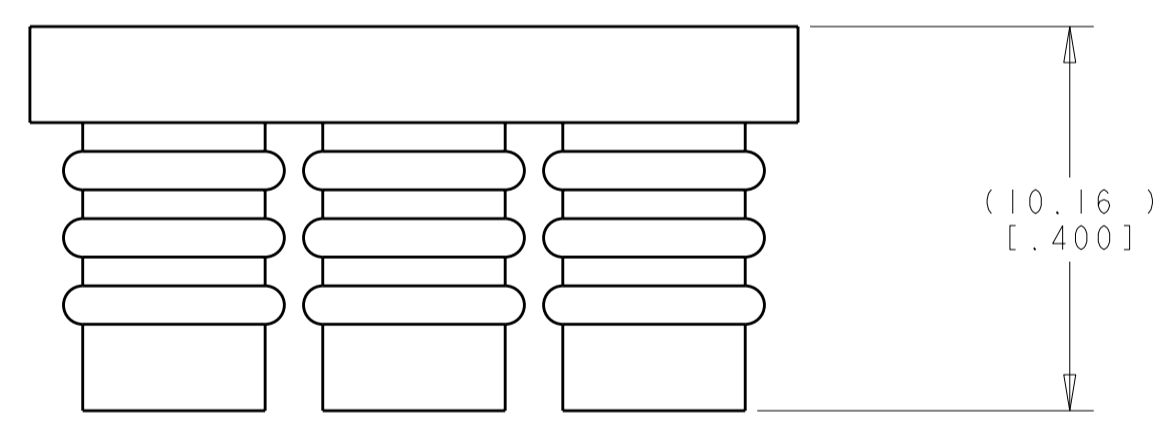


THIS DRAWING IS UNPUBLISHED. RELEASED FOR PUBLICATION 20
 © COPYRIGHT 20 BY TYCO ELECTRONICS CORPORATION. ALL RIGHTS RESERVED.

| LOC | DIST | REVISIONS | | | | | |
|-----|------|-----------|-----|---------------------------|-----------|-----|------|
| CM | 00 | P | LTR | DESCRIPTION | DATE | DWN | APVD |
| | | | A | REVISED PER ECO-09-024253 | 29OCT2009 | HMR | MS |



- 1. MATERIAL: SELF LUBRICATING SILICON RUBBER
COLOR: GRAY.
- 2. DIMENSIONS IN BRACKETS ARE IN INCHES.
- 3. FOR 3 mm² (12 AWG), INSULATION DIA
3.3 - 4.06 [0.130 - 0.160].



1586099-1
PART NUMBER

| | | | |
|---|--|--|--|
| <small>THIS DRAWING IS A CONTROLLED DOCUMENT FOR TYCO ELECTRONICS CORPORATION IT IS SUBJECT TO CHANGE AND THE CONTROLLING ENGINEERING ORGANIZATION SHOULD BE CONTACTED FOR THE LATEST REVISION.</small> | | DWN K. WHITAKER 20MAR2003 CHK S. RIDGILL 20MAR2003 APVD S. RIDGILL 20MAR2003 | Tyco Electronics Tyco Electronics Harrisburg, PA 17105-3608 |
| DIMENSIONS: mm [INCHES] | TOLERANCES UNLESS OTHERWISE SPECIFIED: 0 PLC ±- 1 PLC ±- 2 PLC ±0.13 [0.005] 3 PLC ±- 4 PLC ±- ANGLES ±0° 30' FINISH | PRODUCT SPEC APPLICATION SPEC WEIGHT CUSTOMER DRAWING | NAME WIRE SEAL, 6 CIRCUIT, UNIVERSAL MATE-N-LOK™ SIZE A2 CAGE CODE 00779 DRAWING NO. 1586099 RESTRICTED TO SCALE 5:1 SHEET 1 OF 1 REV A |