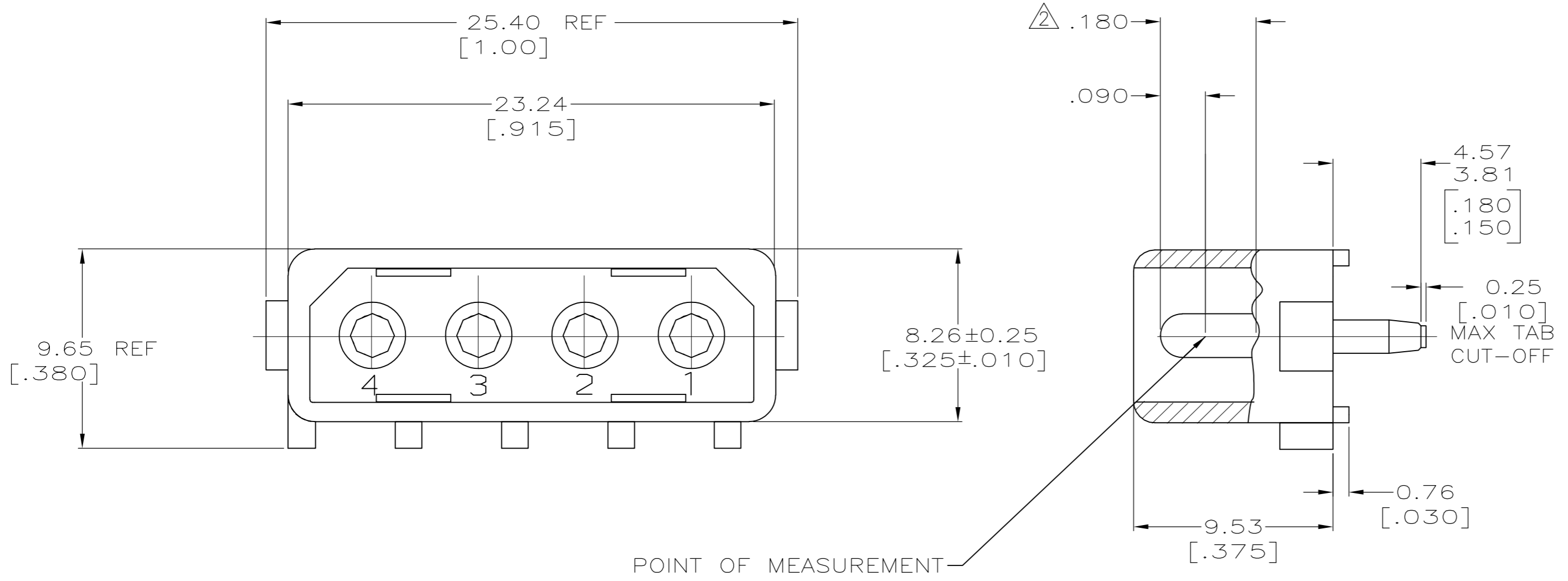
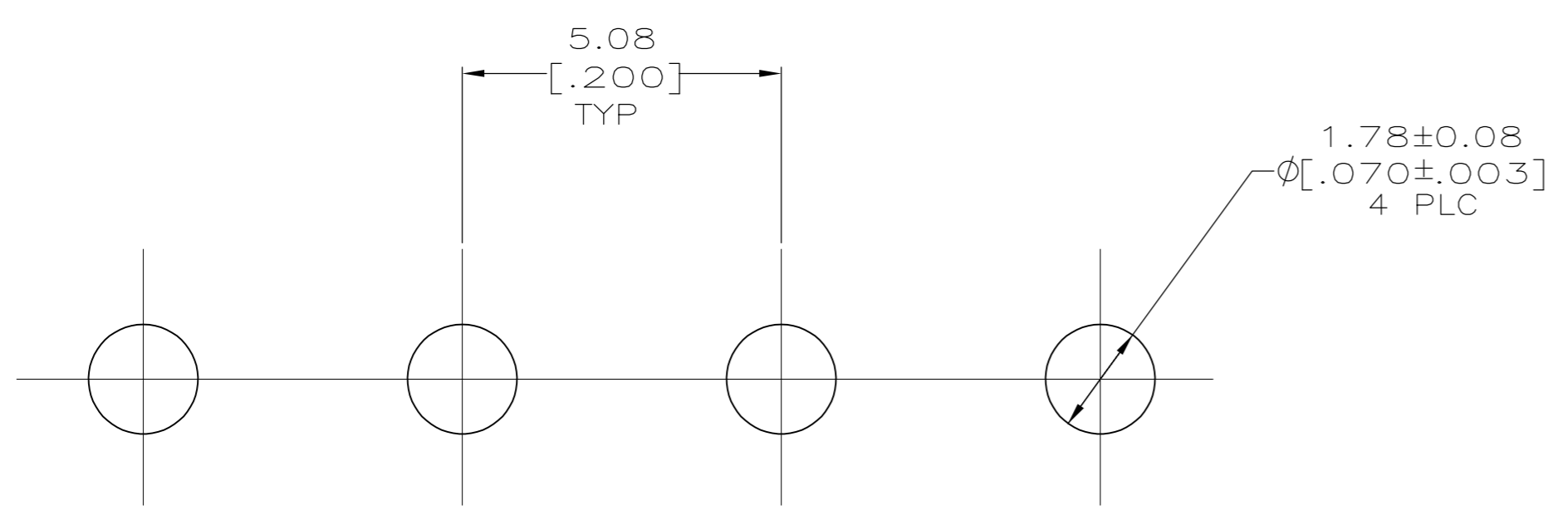


THIS DRAWING IS UNPUBLISHED. RELEASED FOR PUBLICATION
 © COPYRIGHT - By - ALL RIGHTS RESERVED.

LOC	DIST	REVISIONS					
CM	0	P	LTR	DESCRIPTION	DATE	DWN	APVD
		P		REVISED PER ECO-11-005027	11MAR11	RK	HMR



- PARTS MUST COMPLY WITH AMP SOLDERABILITY SPECIFICATION 109-11-3.
- CONTACT IS PLATED OVERALL WITH 0.00127 [.000050] NICKEL, THEN 0.00076 [.000030] GOLD OVER CONTACT LENGTH INDICATED AND MATTE TIN ON SOLDER TAIL END.



RECOMMENDED P.C. BOARD LAYOUT
 FOR 1.57 [.062] THICK P.C. BOARD
 SCALE 10:1

PHOS BRZ, TIN PLATED	NYLON,UL94V-2	1586515-3
	NYLON,UL94V-2	1586515-2
PIN CONTACT MATERIAL & FINISH	HOUSING MATERIAL & COLOR	PART NUMBER

THIS DRAWING IS A CONTROLLED DOCUMENT.		DWN S SCHLEGEL 7/28/05																				
DIMENSIONS: mm [INCHES]		CHK D. COLEY 7/28/05																				
TOLERANCES UNLESS OTHERWISE SPECIFIED:		APVD D. COLEY 7/28/05	NAME D. COLEY																			
<table border="1"> <tr><td>0 PLC</td><td>±</td><td>-</td></tr> <tr><td>1 PLC</td><td>±</td><td>-</td></tr> <tr><td>2 PLC</td><td>±</td><td>0.38[.015]</td></tr> <tr><td>3 PLC</td><td>±</td><td>-</td></tr> <tr><td>4 PLC</td><td>±</td><td>-</td></tr> <tr><td>ANGLES</td><td>±</td><td>0°30'</td></tr> </table>		0 PLC	±	-	1 PLC	±	-	2 PLC	±	0.38[.015]	3 PLC	±	-	4 PLC	±	-	ANGLES	±	0°30'	PRODUCT SPEC	HEADER ASSEMBLY, 4 CIRCUIT, COMMERCIAL MATE-N-LOK(TM)	
0 PLC	±	-																				
1 PLC	±	-																				
2 PLC	±	0.38[.015]																				
3 PLC	±	-																				
4 PLC	±	-																				
ANGLES	±	0°30'																				
MATERIAL SEE TABLE		FINISH SEE TABLE	APPLICATION SPEC	RESTRICTED TO																		
WEIGHT		SCALE	SHEET	REV																		
CUSTOMER DRAWING		5:1	1 of 1	P																		