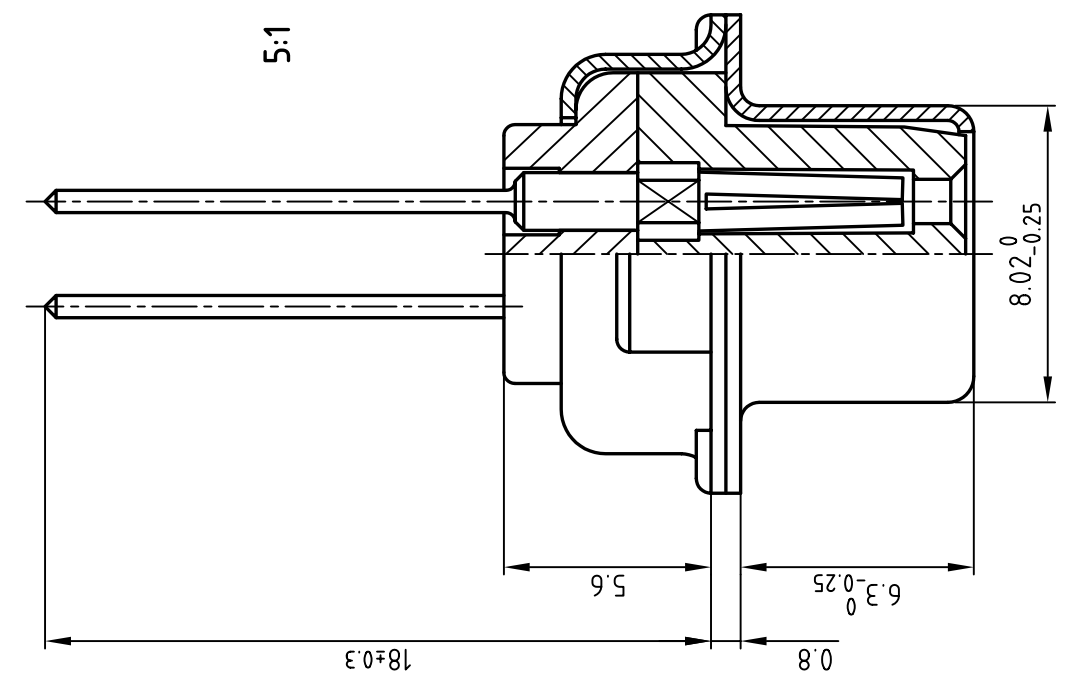


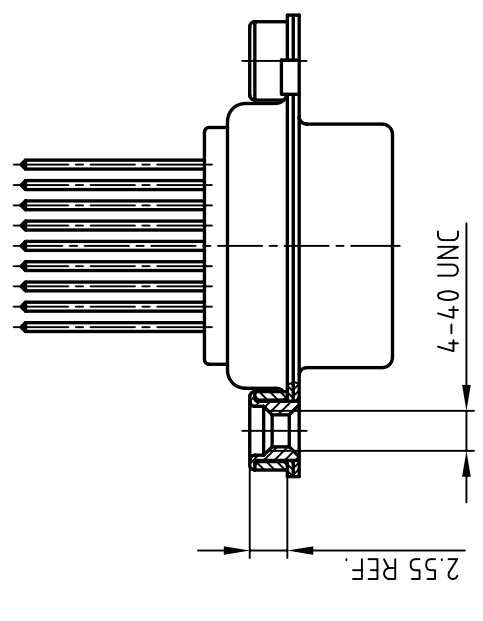
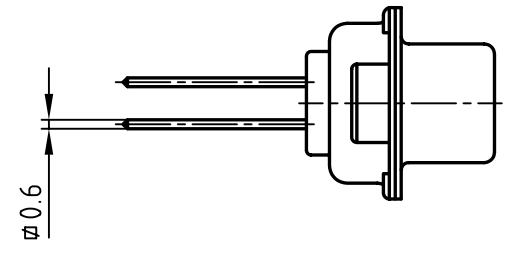
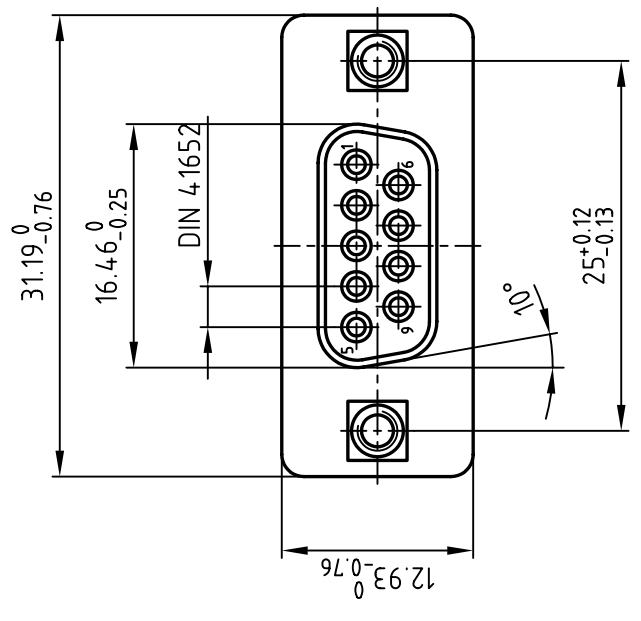
F E D C B A

1 2 3 4 5 6 7 8

used for: D-SUB



5:1



**NOTES:**

1. METALSHELLS: STEEL; TIN PLATED
2. INSULATORS: PPTP GF UL 94 V-0
3. CONTACTS: COPPER ALLOY
4. PLATING: HARD GOLD OVER NICKEL
5.  = CRITICAL DIMENSION: SPC

THIS DRAWING MAY NOT BE COPIED OR REPRODUCED IN ANY WAY, AND MAY NOT BE PASSED ON TO A THIRD PARTY WITHOUT WRITTEN PERMISSION.  
OWNERSHIP AND COPYRIGHT OF CONEC GMBH DO NOT ALTER CAD DRAWING BY HAND

CONEC CORPORATION BRAMPTON, ONTARIO		rev. description	date	name

tolerance	date	name
1997	03.12.	Barcinski
drawn	03.12.	Mickenbecker
appd.		
norm		DIN 41652
d-old		



scale: 2:1 (5:1)	material: SEE NOTES
title: D-SUB FEMALE 9POS. WIRE WRAP	
dwg no: 16K11DDA	[CAD/ REL.13] DIN-A 3
product no: 164A10419X	sh: 1/1

F E D C B A

1 2 3 4 5 6 7 8