

4

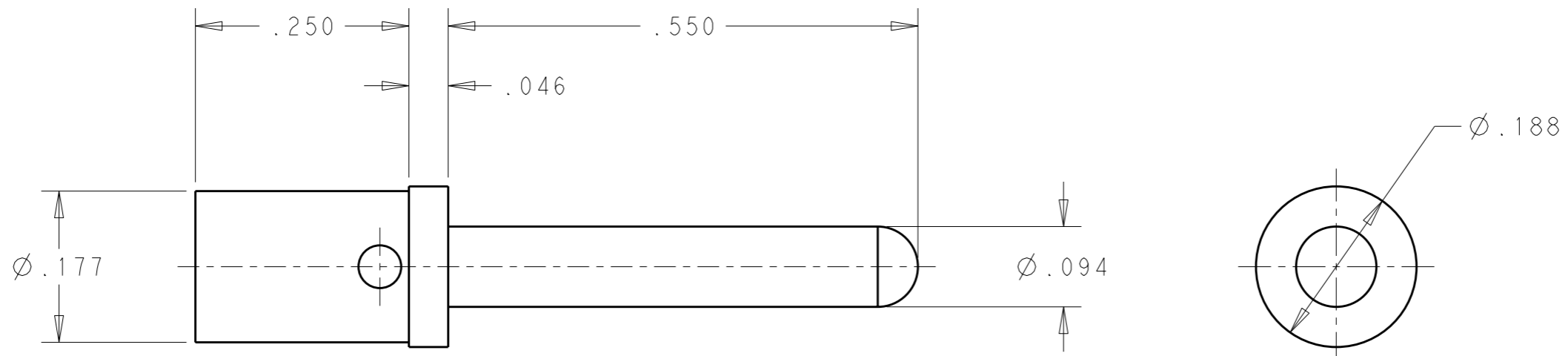
3

2

1

THIS DRAWING IS UNPUBLISHED. RELEASED FOR PUBLICATION 20
 © COPYRIGHT 20 BY TYCO ELECTRONICS CORPORATION. ALL INTERNATIONAL RIGHTS RESERVED.

LOC	DIST	REVISIONS			
P	LTR	DESCRIPTION	DATE	DWN	APVD
GP	00	A	RELEASED	05AUG2009	RG DO



1. PART NUMBER CHANGES AND/OR CHANGES AFFECTING ITEM INTERCHANGEABILITY REQUIRE PRIOR TYCO ELECTRONICS APPROVAL AND AUTHORIZATION BY REVISION TO THIS PRODUCT.

2 MATERIAL:
COPPER ALLOY

3 FINISH:
SILVER PLATE .000200 MIN THK. OVER NICKEL .000040 MIN THK.

4 FINISH:
GOLD PLATE .000030 MIN THK. OVER NICKEL .000040 MIN THK.

5. ITEMS PROVIDED TO THIS SPECIFICATION TO BE PERMANENTLY IDENTIFIED ON THE CONTAINER WITH THE FOLLOWING INFORMATION:

TYCO ELECTRONICS P/N
XXXXXXX-X

YEAR WEEK
DATE CODE (e.g. 0106)
XXXX

4	1650177-4
3	1650177-3
FINISH	PART NUMBER

<small>THIS DRAWING IS A CONTROLLED DOCUMENT FOR TYCO ELECTRONICS CORPORATION IT IS SUBJECT TO CHANGE AND THE CONTROLLING ENGINEERING ORGANIZATION SHOULD BE CONTACTED FOR THE LATEST REVISION.</small>		DWN 05AUG2009 R. GRZYBOWSKI CHK 05AUG2009 D. ORRIS APVD 05AUG2009 M. PERCHERKE		Tyco Electronics Tyco Electronics Harrisburg, PA 17105-3608	
DIMENSIONS: INCHES 		TOLERANCES UNLESS OTHERWISE SPECIFIED: 0 PLC ±- 1 PLC ±- 2 PLC ±.01 3 PLC ±.005 4 PLC ±- ANGLES ±-		NAME PIN CONTACT SIZE No.12 WITH SIZE No.10 CRIMP BARREL DRAWER	
MATERIAL 2		FINISH -		PRODUCT SPEC 108-2285 APPLICATION SPEC 114-13206 WEIGHT -	
CUSTOMER DRAWING		SCALE 6:1		SHEET 1 OF 1 REV A	