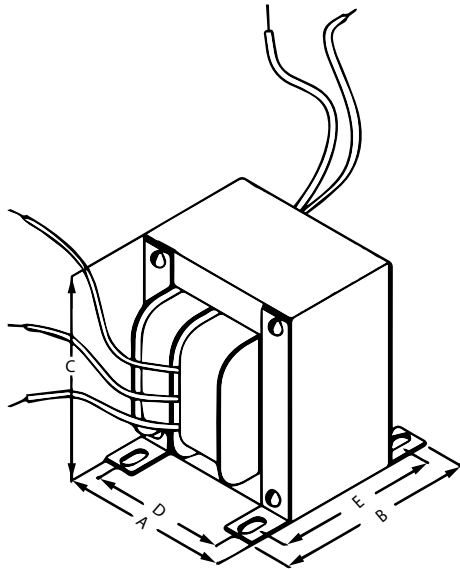




## Power Transformer - Low Voltage/ Filament Economical Single Primary - Open Style Chassis Mount



### Features

- Economical single primary 115 VAC, 60 Hz. (or 117 50/60 Hz. see table below)
- Open style, channel bracket, chassis mount.
- Minimum 6" long leads.
- Dual bobbin design - no electrostatic shield required.
- Class B insulation (130 degrees, C) for extra protection - **UL listed** as a Class A (105 degree, C) design
- Hi-Pot test of 2,000V RMS.
- **CSA certified.**

Overall Dimensions (in. / mm)	
A	3.75 / 95.3
B	3.6 / 91.4
C	4.63 / 117.6
Hole to Hole Mounting Dims	
D	3 / 76.2
E	3 / 76.2
Mounting Hole Sizes	
Width-wise	0.203 / 5.2
Depth-wise	0.375 / 9.5
Electrical	
Size (VA)	288
Primary	117V 50/60 Hz.
Secondary VAC	24 C.T.
Secondary Amps	12

