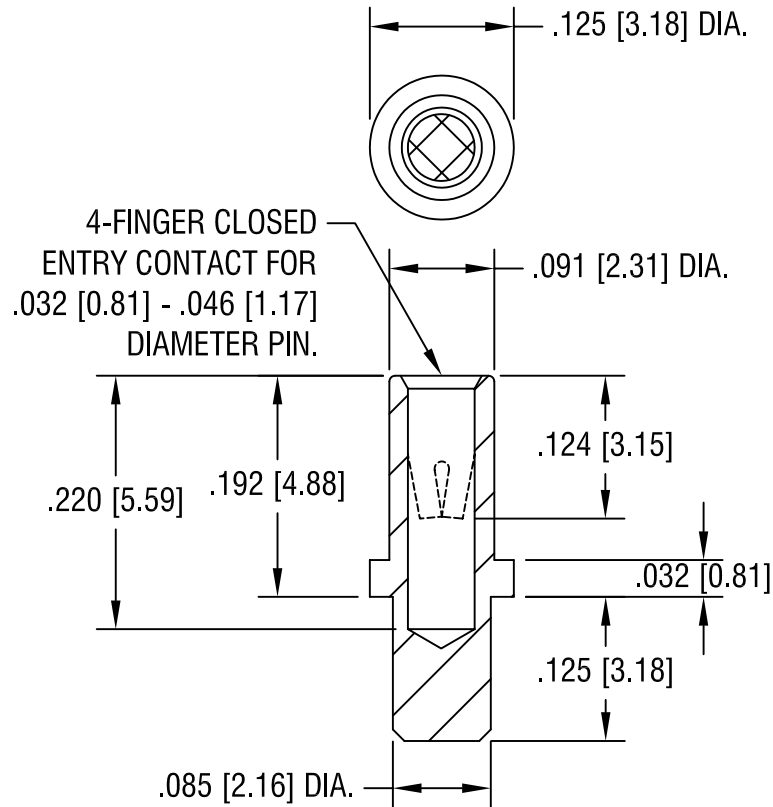


THIS DOCUMENT IS THE PROPERTY OF  
KEYSTONE ELECTRONICS CORP. AND  
SHALL NOT BE REPRODUCED, DISTRIBUTED  
OR USED AS A BASIS FOR MANUFACTURE  
WITHOUT PRIOR WRITTEN PERMISSION  
FROM KEYSTONE ELECTRONICS CORP.



NOTES:

1. SPRING CONTACT:

MAT'L - BERYLLIUM COPPER  
FINISH - TIN/LEAD PLATE

BODY:

MAT'L - BRASS  
FINISH - TIN/LEAD PLATE

2. MOUNTING HOLE DIA.: .089 [2.26]

TOLERANCE ON DIAMETERS:  $\pm .002$

**KEYSTONE ELECTRONICS CORP.**

ASTORIA, N.Y. 11105-2017

PART NAME

MICRO JACK, SOLDER MOUNT

MATERIAL

AS NOTED

FINISH

AS NOTED

DRN BY

BOONE

DATE

2.26.07

APP'D

LN

SCALE

6X

TOLERANCES

INCH [MM]

DECIMAL  $\pm .005$  [ $\pm 0.15$ ]

ANGULAR  $\pm 1^\circ$   
UNLESS OTHERWISE SPECIFIED

CODE

C/M

DWG NO.

1678

DATE	DESCRIPTION	REV.