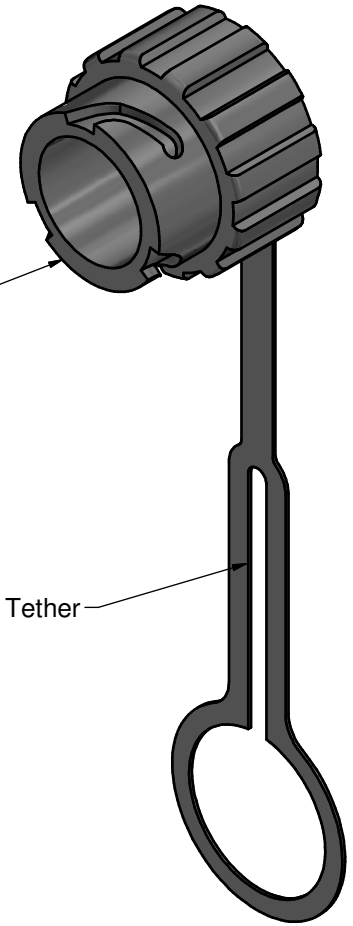


Bayonet Channel x 3

Protective Cap
(Bayonet Locking Type)

Tether



Notes:

1. Material:

- Protective Cap: PBT(Black); UL94 V-0
- Tether: PE (Black)

- Operating Temperature: -40°C to +85°C

RoHS compliant

THIS DRAWING MAY NOT BE COPIED OR REPRODUCED IN ANY WAY, AND MAY NOT BE PASSED ON TO A THIRD PARTY WITHOUT WRITTEN PERMISSION. OWNERSHIP AND COPYRIGHT OF CONEC GmbH DO NOT ALTER CAD DRAWING BY HAND				Tolerance Unless otherwise specified 0. ±0.50 0.0 ±0.38 0.00 ±0.25 Angles ±3°		dim. in mm		scale: 2:1 (1,5:1) material: see notes			
				date	name		title:				
				drawn	30.03.15 Henneboel		(b) Protective Cover for IP67 Duplex Power 2+3pos Male Cable Assembly				
				appd.	30.03.15 Koch						
				norm							
			d-old			dwg no:		DIN-A3			
			1 x b	Ä6182	06.06.2016	K.H.	17K1A462		sh: 1		
			a	Original				part no:		17-400390	
			rev.	description		date		name			