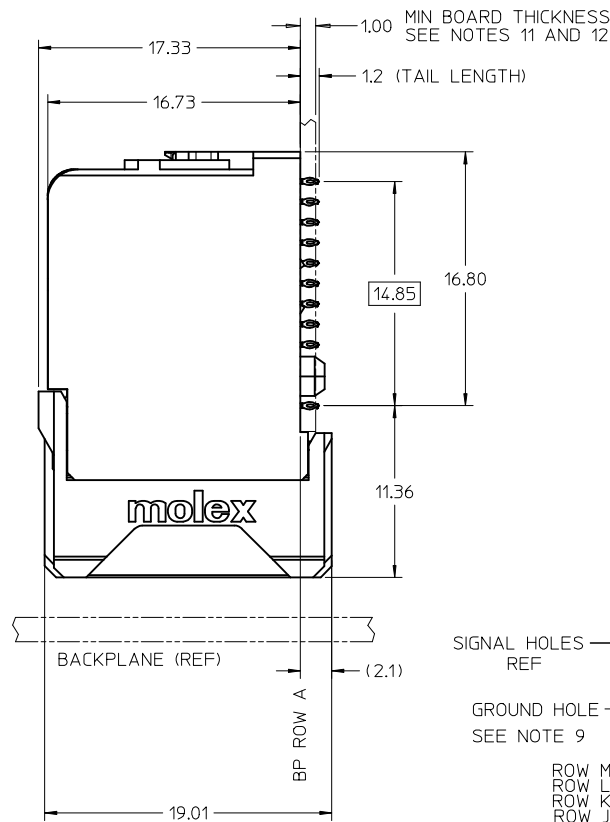


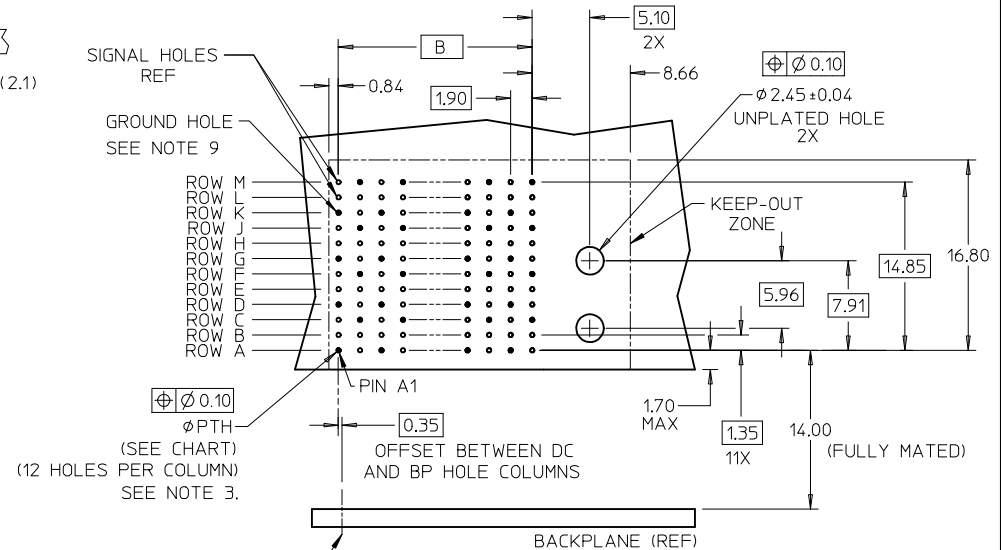
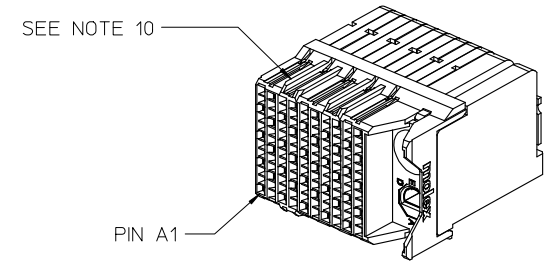
SEE NOTE 13

NOTES:

1. MATERIALS: HOUSING - GRAY LIQUID CRYSTAL POLYMER (LCP), GLASS-FILLED, UL94V-0 TERMINALS - HIGH PERFORMANCE COPPER ALLOY
2. FINISH: 30μN MIN SELECTIVE GOLD IN CONTACT AREA, SELECTIVE TIN ON PCB TAILS, NICKEL OVERALL.
3. REFER TO MOLEX PRODUCT SPEC PS-170540-999 FOR PERFORMANCE SPECIFICATIONS AND ADDITIONAL PCB INFORMATION.
4. EACH SIGNAL WAFER CONTAINS 2 COLUMNS OF TERMINALS.
5. PRODUCT IS PACKAGED PER PK-70873-610.
6. THIS PART CONFORMS TO CLASS B REQUIREMENTS OF COSMETIC SPEC PS-45499-002.
7. REFER TO MOLEX SALES DRAWING SD-170335-0003 FOR THE MATING HEADERS.
8. REFER TO MOLEX PCB ROUTING GUIDE AS-76060-990 FOR THE ANTIPAD AND ROUTING RECOMMENDATIONS.
9. GROUND PATHS ARE NOT DISCRETE CIRCUITS WITHIN CONNECTOR DUE TO PRESENCE OF PLUS CLIP.
10. PART NUMBER 170340-5120 SHOWN ON DRAWING. KEYING FEATURES WILL CHANGE WITH COLUMN SIZE.
11. MINIMUM BOARD THICKNESS IS 1.00 mm FOR COMPLIANT PIN FUNCTIONALITY.
12. WHEN USING MOLEX SUPPLIED #2-32 SCREW 73726-0000, THE MAXIMUM BOARD THICKNESS IS 4.4 mm.
13. MARKING: LOCATED APPROXIMATELY AS SHOWN. PART NUMBER AND DATE CODE.



KEY SHOWN IN POSITION A



DAUGHTERCARD HOLE PATTERN (CONNECTOR SIDE)

ADD LASER MARK INFO	DESCRIPTION	QUALITY SYMBOLS	GENERAL TOLERANCES (UNLESS SPECIFIED)	DIMENSION STYLE	SCALE	DESIGN UNITS	THIRD ANGLE PROJECTION
EC NO: UCP2016-3973	2015/08/19	▽=0	mm INCH	MM ONLY	4:1	METRIC	◎ □
DRWNG:VARVARA	2016/02/22	▽=0	4 PLACES ± --- ± ---	DRAWN BY	DATE	TITLE	IMPACT 4-PAIR 85-OHM DAUGHTERCARD SIGNAL GUIDE RIGHT SALES DWG
CHKD:TELO	2016/04/20	▽=0	3 PLACES ± --- ± ---	CHECKED BY	DATE	SD-170340-0004	
APPR:TELO		▽=0	2 PLACES ± 0.13 ± ---	APPROVED BY	DATE	1 OF 2	
			1 PLACE ± 0.25 ± ---	JB INGHAM	2012/04/16		
			0 PLACE ± ±	MATERIAL NO.		DOCUMENT NO.	
			ANGULAR ±1/2°	SEE CHART			
			DRAFT WHERE APPLICABLE MUST REMAIN WITHIN DIMENSIONS	THIS DRAWING CONTAINS INFORMATION THAT IS PROPRIETARY TO MOLEX INCORPORATED AND SHOULD NOT BE USED WITHOUT WRITTEN PERMISSION			

MATERIAL NUMBER	# OF COLUMNS	# OF DIFF PAIR	DIM "A" MAX	DIM "B"	PTH ϕ
170340-5*06	6	24	19.00	9.50	0.46 +0.05
170340-5*08	8	32	22.80	13.30	
170340-5*10	10	40	26.60	17.10	
170340-5*12	12	48	30.40	20.90	
170340-5*14	14	56	34.20	24.70	
170340-5*16	16	64	38.00	28.50	0.39 +0.05
170340-5*36	6	24	19.00	9.50	
170340-5*38	8	32	22.80	13.30	
170340-5*20	10	40	26.60	17.10	
170340-5*22	12	48	30.40	20.90	
170340-5*24	14	56	34.20	24.70	
170340-5*26	16	64	38.00	28.50	

170340-****

MODULE & TAIL PLATING TYPE
5 = RIGHT GUIDED LEAD-FREE

POLARIZATION KEY ORIENTATION

0 = NO KEY

1 = A 5 = E
2 = B 6 = F
3 = C 7 = G
4 = D 8 = H

OF COLUMNS

06 = 6 COL 0.46 PTH
08 = 8 COL 0.46 PTH
10 = 10 COL 0.46 PTH
12 = 12 COL 0.46 PTH
14 = 14 COL 0.46 PTH
16 = 16 COL 0.46 PTH
20 = 10 COL 0.39 PTH
22 = 12 COL 0.39 PTH
24 = 14 COL 0.39 PTH
26 = 16 COL 0.39 PTH
36 = 6 COL 0.39 PTH
38 = 8 COL 0.39 PTH

SEE SHEET 1 EC NO: UCP2016-3973 DRWNG: VARYARA 2015/08/19 CHKD: TELO 2016/02/22 APPR: TELO 2016/04/20	QUALITY SYMBOLS ▽=0 ▽=0 ▽=0	GENERAL TOLERANCES (UNLESS SPECIFIED)		DIMENSION STYLE MM ONLY		SCALE 4:1	DESIGN UNITS METRIC	THIRD ANGLE PROJECTION		
		4 PLACES ± --- ± ---	mm INCH	DRAWN BY TELO	DATE 2010/05/12	TITLE IMPACT 4-PAIR 85-OHM DAUGHTERCARD SIGNAL GUIDE RIGHT SALES DWG				
		3 PLACES ± --- ± ---		CHECKED BY KBENES	DATE 2011/01/24					
		2 PLACES ± 0.13 ± ---		APPROVED BY JB INGHAM	DATE 2012/04/16	DOCUMENT NO. SD-170340-0004				
1 PLACE ± 0.25 ± ---		MATERIAL NO.		SHEET NO. 2 OF 2						
0 PLACE ± ±		ANGULAR ±1/2°							THIS DRAWING CONTAINS INFORMATION THAT IS PROPRIETARY TO MOLEX INCORPORATED AND SHOULD NOT BE USED WITHOUT WRITTEN PERMISSION	
DRAFT WHERE APPLICABLE MUST REMAIN WITHIN DIMENSIONS		SEE CHART								