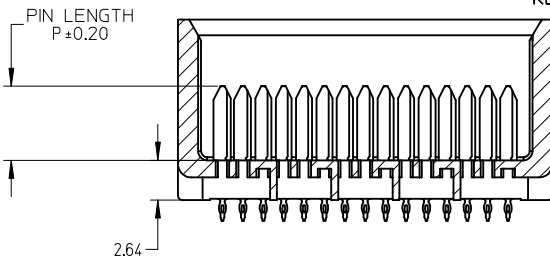
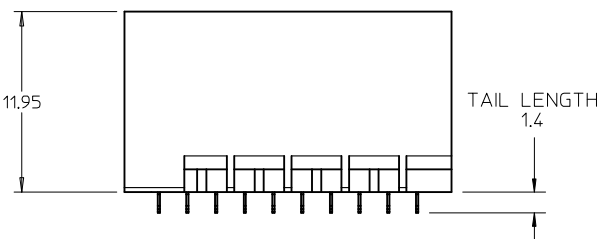
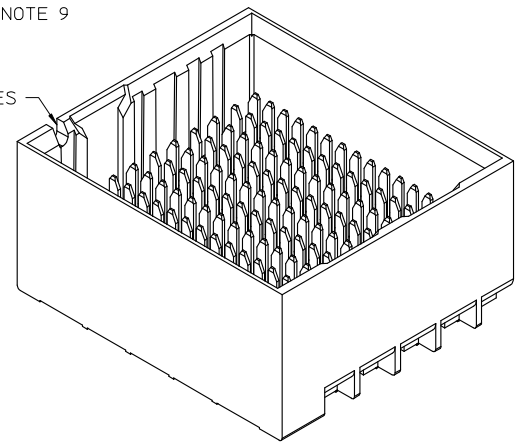


ROW A
ROW B
ROW C
ROW D
ROW E
ROW F
ROW G
ROW H
ROW J
ROW K
ROW L
ROW M
ROW N
ROW O
ROW P



KEEP OUT ZONE
UNGUIDED BACKPLANE HOLE PATTERN (CONNECTOR SIDE) SEE NOTE 9
SEE PART NUMBER CHART AND PART NUMBER LOGIC (15 HOLES PER COLUMN)

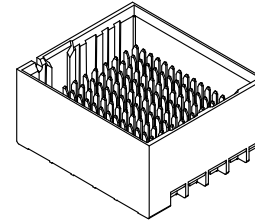


- NOTES:
- MATERIALS: HOUSING - LIQUID CRYSTAL POLYMER (LCP) GLASS-FILLED, UL94V-0
TERMINALS - HIGH PERFORMANCE COPPER ALLOY
 - FINISH: 30μ INCH MIN GOLD IN CONTACT AREA.
SELECTIVE MATTE TIN PCB TAILS, NICKEL OVERALL.
 - REFER TO MOLEX PRODUCT SPECIFICATION PS-170540-999 FOR PERFORMANCE SPECIFICATIONS AND ADDITIONAL PCB INFORMATION.
 - THIS PART CONFORMS TO CLASS B REQUIREMENTS OF MOLEX COSMETIC SPEC PS-45499-002.
 - PARTS PACKAGED PER PK-70873-7702.
 - SEE SHEETS 2 & 3 FOR PART NUMBERS AND BOARD RELATIONSHIPS.
 - REFER TO MOLEX PCB ROUTING GUIDE AS-76060-990 FOR ANTI PAD AND ROUTING RECOMMENDATIONS.
 - MINIMUM CIRCUIT BOARD THICKNESS: 1.0mm.
 - *THESE DIMENSIONS REPRESENT THE AREA NEEDED TO ACCOMMODATE CONNECTOR INSERTION AND REPAIR ON THE PC BOARD. THIS IS REFERRED TO AS THE "CONNECTOR KEEP OUT ZONE" AND DOES NOT REPRESENT THE ACTUAL PERIMETER OF THE CONNECTOR. WHEN LAYING OUT A PC BOARD FOR CONNECTORS STACKED TOGETHER, USE THE 1.9mm PROGRESSION.*

REVISED (MINOR) EC NO: UCP2013-4952 DRWN: BINGHAM 2013/05/14 CHKD: JLAURX 2013/05/14 APPR: JLAURX 2013/05/21	QUALITY SYMBOLS ▽=0 ▽=0 ▽=0	GENERAL TOLERANCES (UNLESS SPECIFIED)		DIMENSION STYLE MM ONLY		SCALE 4:1	DESIGN UNITS METRIC	THIRD ANGLE PROJECTION		
			mm	INCH	DRAWN BY JB INGHAM	DATE 2010/05/18	TITLE IMPACT 5-PAIR 85-OHM UNGUIDED BACKPLANE SALES ASSEMBLY DRAWING molex DOCUMENT NO. SD-170475-0001 SHEET NO. 1 OF 3			
		4 PLACES ± --- ± ---			CHECKED BY JLAURX	DATE 2010/05/18				
		3 PLACES ± --- ± ---			APPROVED BY JLAURX	DATE 2013/05/21				
2 PLACES ± 0.13 ± ---										
			1 PLACE ± 0.25 ± ---							
			0 PLACE ± --- ± ---							
			ANGULAR ± 2°		MATERIAL NO. SEE CHART					
			DRAFT WHERE APPLICABLE MUST REMAIN WITHIN DIMENSIONS		SIZE C					

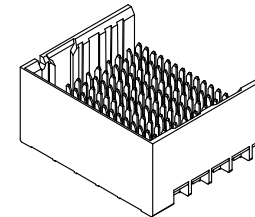
PART NUMBER CHART

MATERIAL NUMBER	# OF COLUMNS	# OF DIFF PAIR	DIM "A"	DIM "B"	DUAL END WALL OPTION
170475-112*	10	50	21.7	17.10	
170475-122*	12	60	25.5	20.90	
170475-162*	16	80	33.1	28.50	



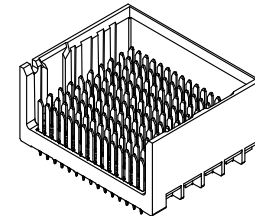
DUAL END
WALL OPTION

MATERIAL NUMBER	# OF COLUMNS	# OF DIFF PAIR	DIM "A"	DIM "B"	LEFT END WALL OPTION
170475-111*	10	50	20.3	17.10	
170475-121*	12	60	24.1	20.90	
170475-161*	16	80	31.7	28.50	



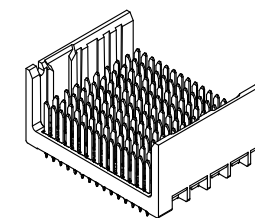
LEFT END
WALL OPTION

MATERIAL NUMBER	# OF COLUMNS	# OF DIFF PAIR	DIM "A"	DIM "B"	RIGHT END WALL OPTION
170475-113*	10	50	20.3	17.10	
170475-123*	12	60	24.1	20.90	
170475-163*	16	80	31.7	28.50	



RIGHT END
WALL OPTION

MATERIAL NUMBER	# OF COLUMNS	# OF DIFF PAIR	DIM "A"	DIM "B"	OPEN WALL OPTION
170475-110*	10	50	18.9	17.10	
170475-120*	12	60	22.7	20.90	
170475-160*	16	80	30.3	28.50	



OPEN
WALL OPTION

SEE SHEET 1 EC NO: UCP2013-4952 DRWN:JBINGHAM 2013/05/14 CHKD:JLAURX 2013/05/14 APPR:JLAURX 2013/05/21	QUALITY SYMBOLS ▽=0 ▽=0 ▽=0	DESCRIPTION C1	GENERAL TOLERANCES (UNLESS SPECIFIED)		DIMENSION STYLE MM ONLY		SCALE 1:1	DESIGN UNITS METRIC	THIRD ANGLE PROJECTION	
				mm	INCH	DRAWN BY JBINGHAM	DATE 2010/05/18	TITLE IMPACT 5-PAIR 85-OHM UNGUIDED BACKPLANE SALES ASSEMBLY DRAWING molex DOCUMENT NO. SD-170475-0001 SHEET NO. 2 OF 3		
			4 PLACES ± --- ± ---			CHECKED BY JLAURX	DATE 2010/05/18			
			3 PLACES ± --- ± ---			APPROVED BY JLAURX	DATE 2013/05/21			
2 PLACES ± 0.13 ± ---										
1 PLACE ± 0.25 ± ---			ANGULAR ± 2 °		DRAFT WHERE APPLICABLE MUST REMAIN WITHIN DIMENSIONS					
0 PLACE ± --- ± ---			SIZE C		THIS DRAWING CONTAINS INFORMATION THAT IS PROPRIETARY TO MOLEX INCORPORATED AND SHOULD NOT BE USED WITHOUT WRITTEN PERMISSION					

PART NUMBER LOGIC

170475-****

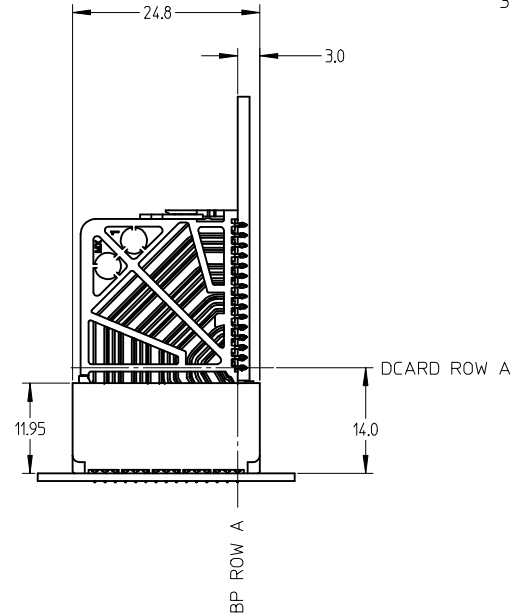
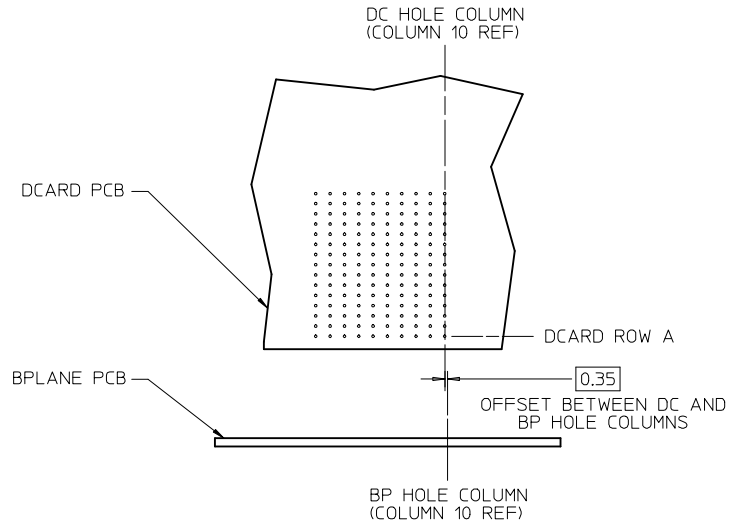
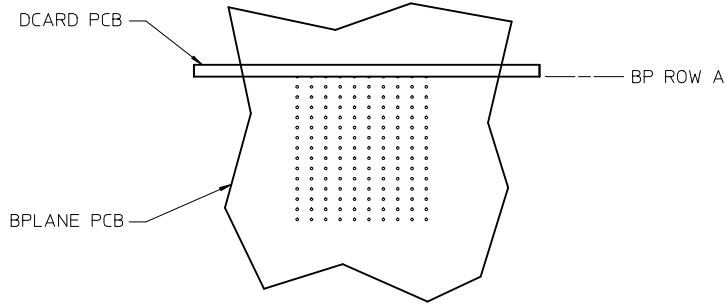
MODULE TYPE
1 = UNGUIDED, MATTE TIN

OF COLUMNS
1 = 10 COL
2 = 12 COL
6 = 16 COL

P=PIN LENGTH
3 = 4.50 (SHORT COMPLIANT, 0.46±0.05 PTH)
4 = 4.90 (SHORT COMPLIANT, 0.46±0.05 PTH)
5 = 5.50 (SHORT COMPLIANT, 0.46±0.05 PTH)
6 = 4.50 (MICRO COMPLIANT, 0.39±0.05 PTH)
7 = 4.90 (MICRO COMPLIANT, 0.39±0.05 PTH)
8 = 5.50 (MICRO COMPLIANT, 0.39±0.05 PTH)

END WALL OPTIONS
0 = OPEN ENDS
1 = LEFT END WALL
2 = DUAL END WALL
3 = RIGHT END WALL

IMPACT 5 PAIR BOARD RELATIONSHIPS



ENTER DESCRIPTION EC NO: UCP2013-4952 DRWN:JBINGHAM 2013/05/14 CHKD:JLAURX 2013/05/14 APPR:JLAURX 2013/05/21	QUALITY SYMBOLS ▽=0 ▽=0 ▽=0	GENERAL TOLERANCES (UNLESS SPECIFIED)		DIMENSION STYLE MM ONLY	SCALE 3:1	DESIGN UNITS METRIC	THIRD ANGLE PROJECTION		
		4 PLACES ± --- ± --- 3 PLACES ± --- ± --- 2 PLACES ± 0.13 ± --- 1 PLACE ± 0.25 ± --- 0 PLACE ± --- ± ---	mm INCH	DRAWN BY JBINGHAM	DATE 2010/05/18	TITLE IMPACT 5-PAIR 85-OHM UNGUIDED BACKPLANE SALES ASSEMBLY DRAWING			
		ANGULAR ± 2°		MATERIAL NO. 9999999999	DATE 2013/05/21	DOCUMENT NO. SD-170475-0001		SHEET NO. 3 OF 3	
		DRAFT WHERE APPLICABLE MUST REMAIN WITHIN DIMENSIONS		THIS DRAWING CONTAINS INFORMATION THAT IS PROPRIETARY TO MOLEX INCORPORATED AND SHOULD NOT BE USED WITHOUT WRITTEN PERMISSION					