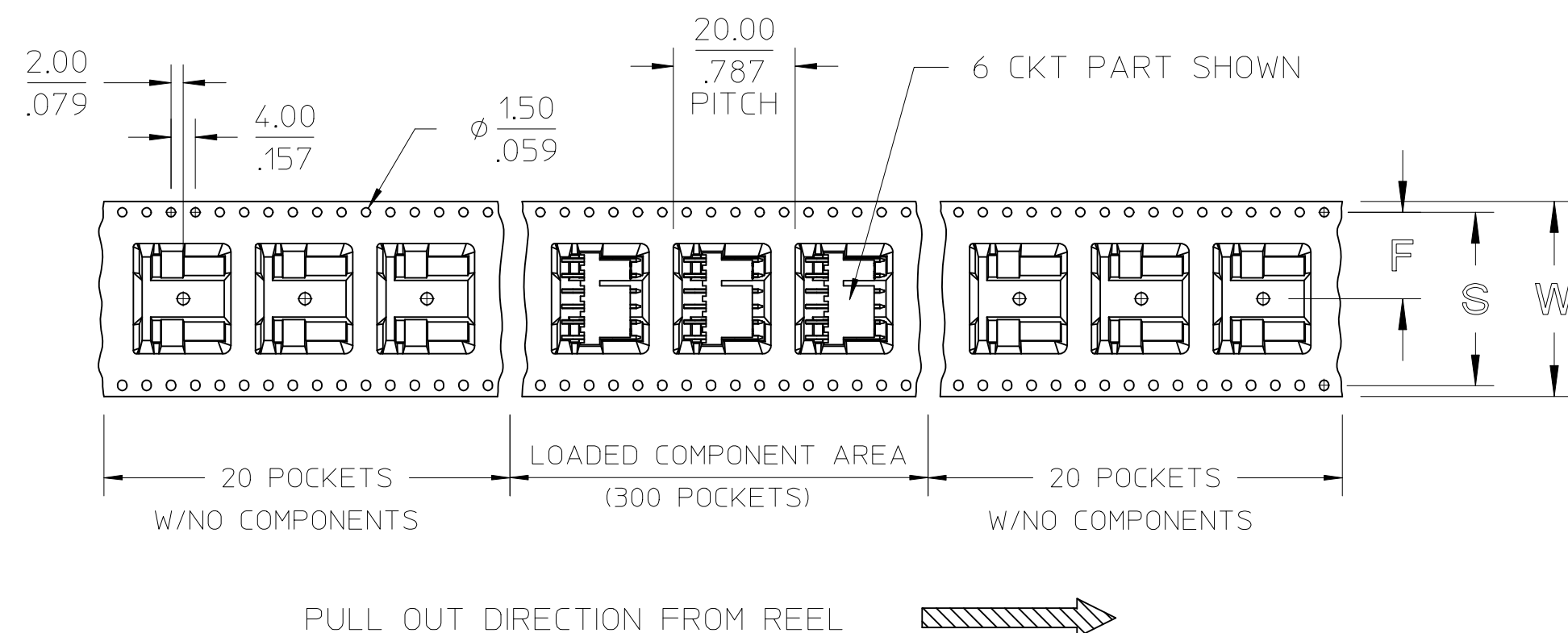


NOTES:

- 1) PACKAGING MATERIALS: EMBOSSED CARRIER TAPE IS POLYSTYRENE (PS), TOP COVER TAPE IS A COMPOSITE OF POLYETHYLENE TEREPHTHALATE (PET), POLYETHYLENE (PE), AND POLYFILM (PEF), CARRIER REEL IS POLYSTYRENE (PS).
- 2) EACH REEL MUST BE LOADED WITH 300 CONNECTORS (SEE NOTE 4).
- 3) THE FOLLOWING NOTES HAVE BEEN DERIVED FROM THE E.I.A. STANDARDS 481.
- 4) CONNECTOR MINIMUMS/REEL ARE SHOWN ABOVE; IN NO CASE SHALL THERE BE TWO CONSECUTIVE COMPONENTS MISSING BETWEEN THE FIRST AND LAST PART OF ANY REEL.
- 5) THE TOP COVER TAPE SHALL BE CLEAR ONLY, NOT EXTEND OVER THE EDGES OF THE CARRIER TAPE OR COVER ANY PART OF THE SPROCKET HOLES.
- 6) ADJACENT LAYERS OF TAPE SHALL NOT STICK TOGETHER WHEN WOUND ON THE CARRIER REEL.
- 7) THE TOP COVER TAPE MUST BE SECURELY ATTACHED TO THE EMBOSSED CARRIER TAPE BY USE OF HEAT.
- 8) EACH REEL SHALL HAVE A LABEL AFFIXED TO IT WITH THE FOLLOWING INFORMATION: PART NO. (CUSTOMER PART NO.), QUANTITY, AND DATE CODE.
- 9) TAPE SPLICES ARE NOT PERMITTED.
- 10) THE TOP COVER TAPE SHALL HAVE A TOTAL PEEL STRENGTH OF 0.1-0.7 NEWTONS WHEN PULLED OPPOSITE THE DIRECTION OF CARRIER TAPE TRAVEL. THE CARRIER AND/OR COVER TAPE SHALL BE PULLED WITH A VELOCITY OF APPROX. 120 mm/MINUTE.
- 11) ALL DIMENSIONS ARE SHOWN FOR REFERENCE ONLY.

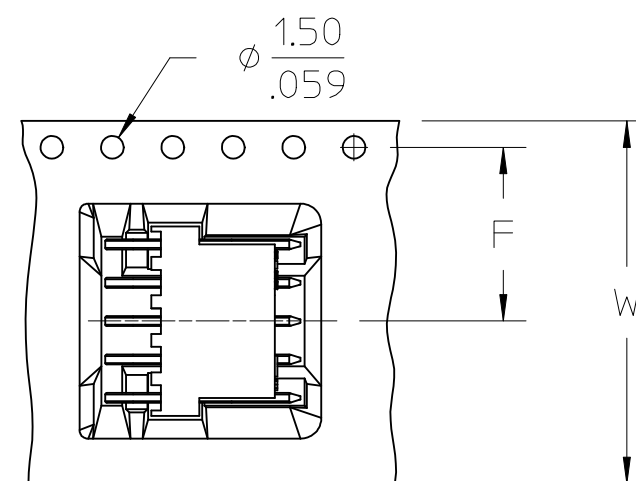
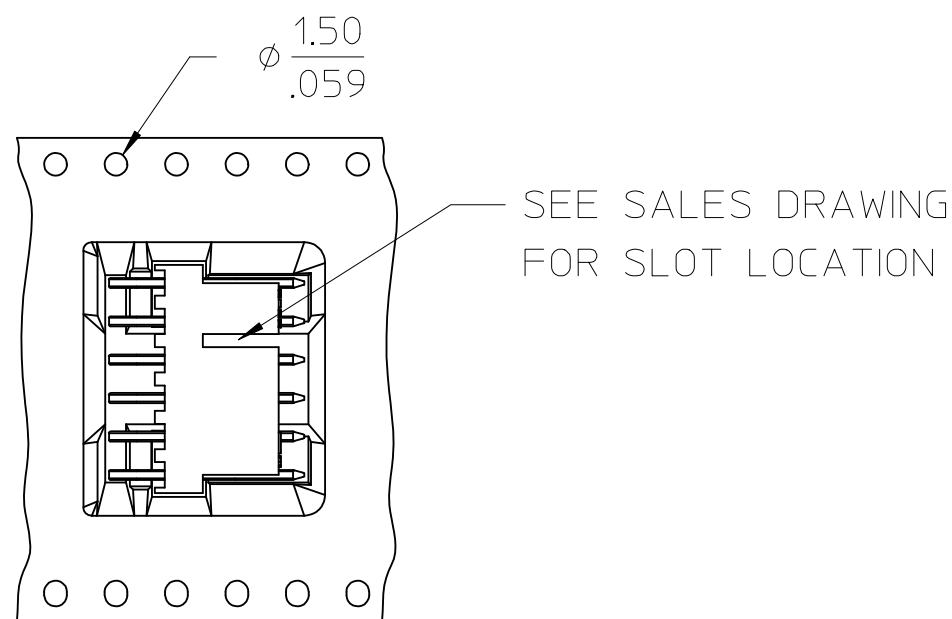


| | | | | | | | | | | |
|---|--------------------------------------|--|---------------------|---|-----------------------|--------------------|--|------------------------|--|--|
| COVER TAPE 24MM EC NO: UCP2015-2680 DRWN:MKIPPER 2015/01/06 CHKD:NGUYEN 2015/01/13 APPR:FSMITH 2015/01/15 | QUALITY SYMBOLS ▽=0 ▽=0 ▽=3 | GENERAL TOLERANCES (UNLESS SPECIFIED) | | DIMENSION STYLE MM/IN | | SCALE --- | DESIGN UNITS METRIC | THIRD ANGLE PROJECTION | | |
| | | 4 PLACES | ± --- | ± --- | DRAWN BY MKIPPER | DATE 2014/02/21 | TITLE KK 254 RPC TAPE & REEL PK SPEC. FOR RIGHT ANGLE HEADER ASS'Y | | | |
| | | 3 PLACES | ± --- | ± --- | CHECKED BY JBELL | DATE 2014/02/24 | | | | |
| | | 2 PLACES | ± --- | ± --- | APPROVED BY FSMITH | DATE 2014/05/13 | DOCUMENT NO. PK-171857-0001 | | | |
| 1 PLACE | ± --- | ± --- | MATERIAL NO. N/A | | SHEET NO. 1 OF 3 | | | | | |
| A1 | REV | DRAFT WHERE APPLICABLE MUST REMAIN WITHIN DIMENSIONS | | THIS DRAWING CONTAINS INFORMATION THAT IS PROPRIETARY TO MOLEX INCORPORATED AND SHOULD NOT BE USED WITHOUT WRITTEN PERMISSION | | | | SHEET NO. 1 OF 3 | | |

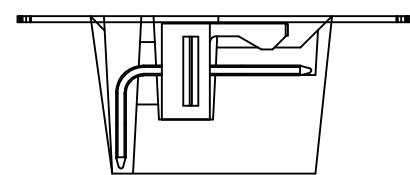
TAPE AND REEL SPECIFICATIONS FOR RIGHT ANGLE THRU HOLE KK 254 RPC

| ASSEMBLY ITEM NO. | CKT. SIZE | EMBOSSED TAPE ITEM NO. | PARTS PER REEL | CARTON PART # | REELS/CARTON | PARTS PER CARTON | COVER TAPE ITEM NO. | TAKE-UP REEL ITEM NO. | DIM F | DIM W | DIM S | DIM C |
|-------------------|-----------|------------------------|----------------|---------------|--------------|------------------|---------------------|-----------------------|------------|-------------|-------------|-------------|
| 171857-*002 | 2 | 70180-5472 | 300 | 085-01-0014 | 11 | 3300 | 43655-0012 | 70180-6511 | 11.50/.453 | 24.00/.945 | N/A | 25.60/1.008 |
| 171857-*003 | 3 | 70180-5473 | 300 | 085-01-0014 | 11 | 3300 | 43655-0012 | 70180-6511 | 11.50/.453 | 24.00/.945 | N/A | 25.60/1.008 |
| 171857-*004 | 4 | 70180-5474 | 300 | 085-01-0014 | 11 | 3300 | 43655-0012 | 70180-6511 | 11.50/.453 | 24.00/.945 | N/A | 25.60/1.008 |
| 171857-*005 | 5 | 70180-5475 | 300 | 085-01-0014 | 11 | 3300 | 43655-0012 | 70180-6511 | 11.50/.453 | 24.00/.945 | N/A | 25.60/1.008 |
| 171857-*006 | 6 | 70180-5476 | 300 | 085-01-0014 | 9 | 2700 | 43655-0001 | 70180-6512 | 14.20/.559 | 32.00/1.260 | 28.40/1.118 | 33.60/1.323 |
| 171857-*007 | 7 | 70180-5477 | 300 | 085-01-0014 | 9 | 2700 | 43655-0001 | 70180-6512 | 14.20/.559 | 32.00/1.260 | 28.40/1.118 | 33.60/1.323 |
| 171857-*008 | 8 | 70180-5478 | 300 | 085-01-0014 | 7 | 2100 | 43655-0002 | 70180-6513 | 20.20/.795 | 44.00/1.732 | 40.40/1.591 | 45.60/1.795 |
| 171857-*009 | 9 | 70180-5479 | 300 | 085-01-0014 | 7 | 2100 | 43655-0002 | 70180-6513 | 20.20/.795 | 44.00/1.732 | 40.40/1.591 | 45.60/1.795 |
| 171857-*010 | 10 | 70180-5480 | 300 | 085-01-0014 | 7 | 2100 | 43655-0002 | 70180-6513 | 20.20/.795 | 44.00/1.732 | 40.40/1.591 | 45.60/1.795 |
| 171857-*011 | 11 | 70180-5481 | 300 | 085-01-0014 | 7 | 2100 | 43655-0002 | 70180-6513 | 20.20/.795 | 44.00/1.732 | 40.40/1.591 | 45.60/1.795 |
| 171857-*012 | 12 | 70180-5482 | 300 | 085-01-0014 | 7 | 2100 | 43655-0002 | 70180-6513 | 20.20/.795 | 44.00/1.732 | 40.40/1.591 | 45.60/1.795 |

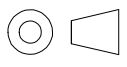
PULL OUT DIRECTION FROM REEL 



TYPICAL PART ORIENTATION FOR 2-5 CIRCUIT SIZES (24MM WIDE CARRIER TAPE)



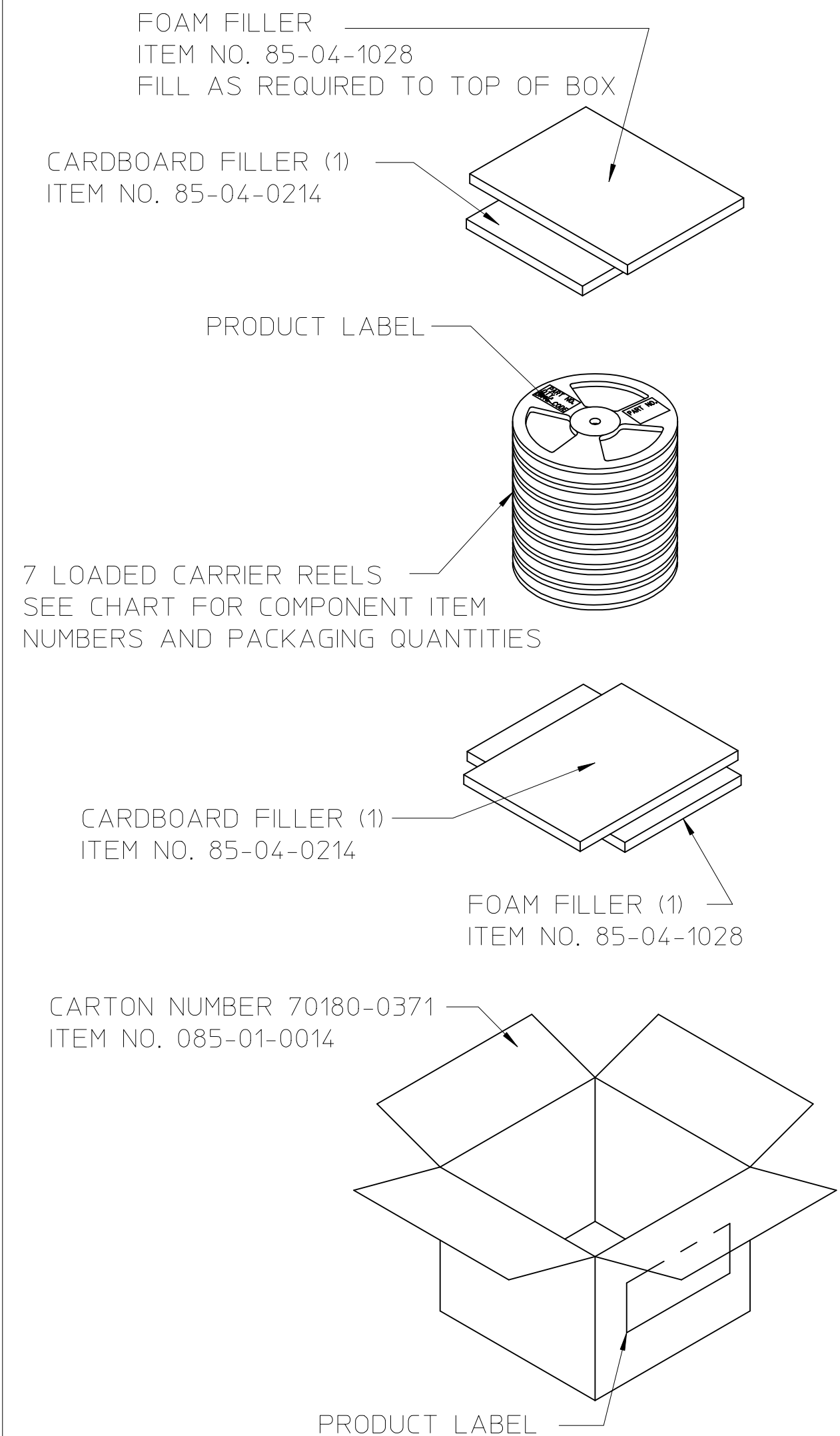
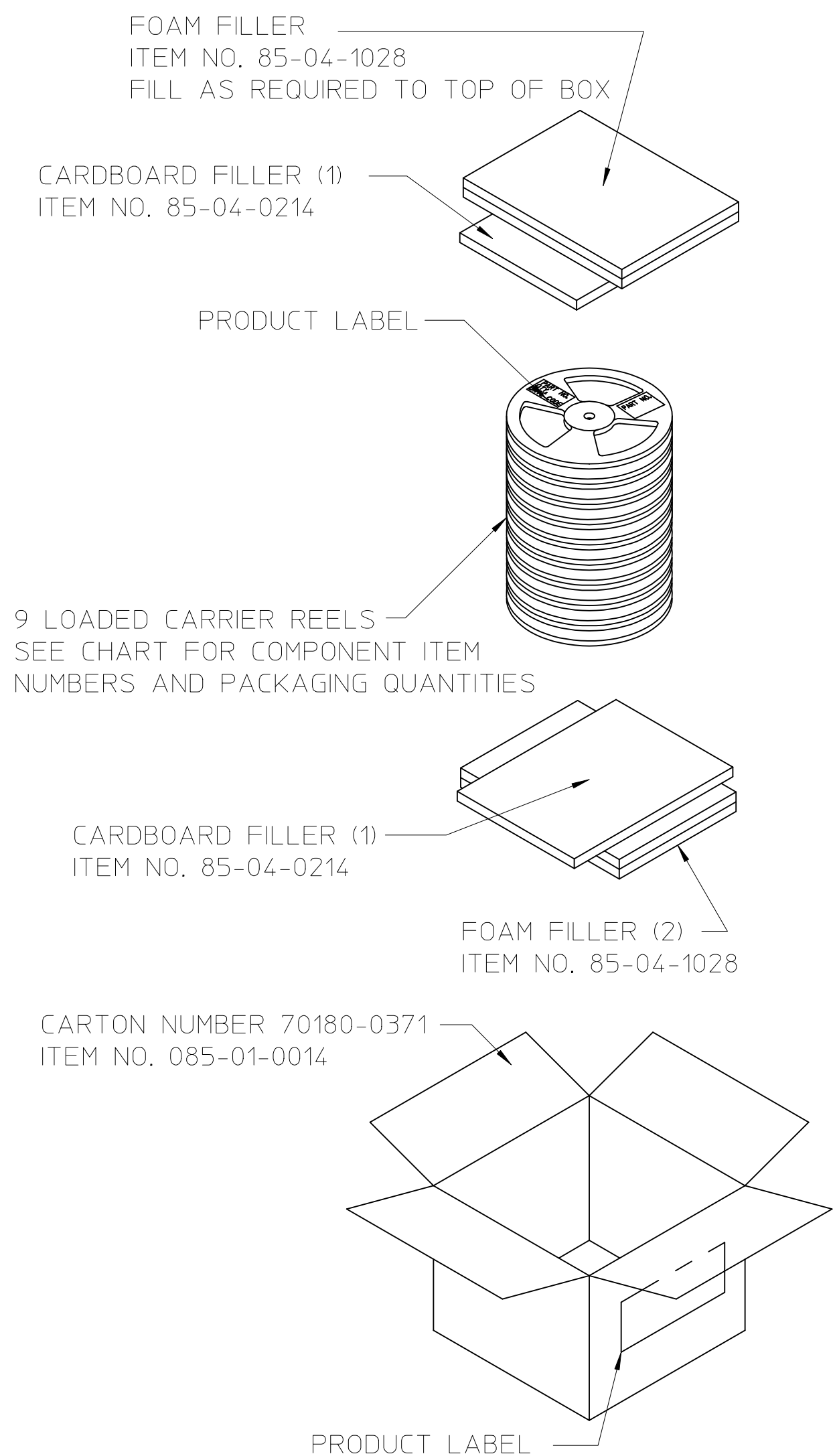
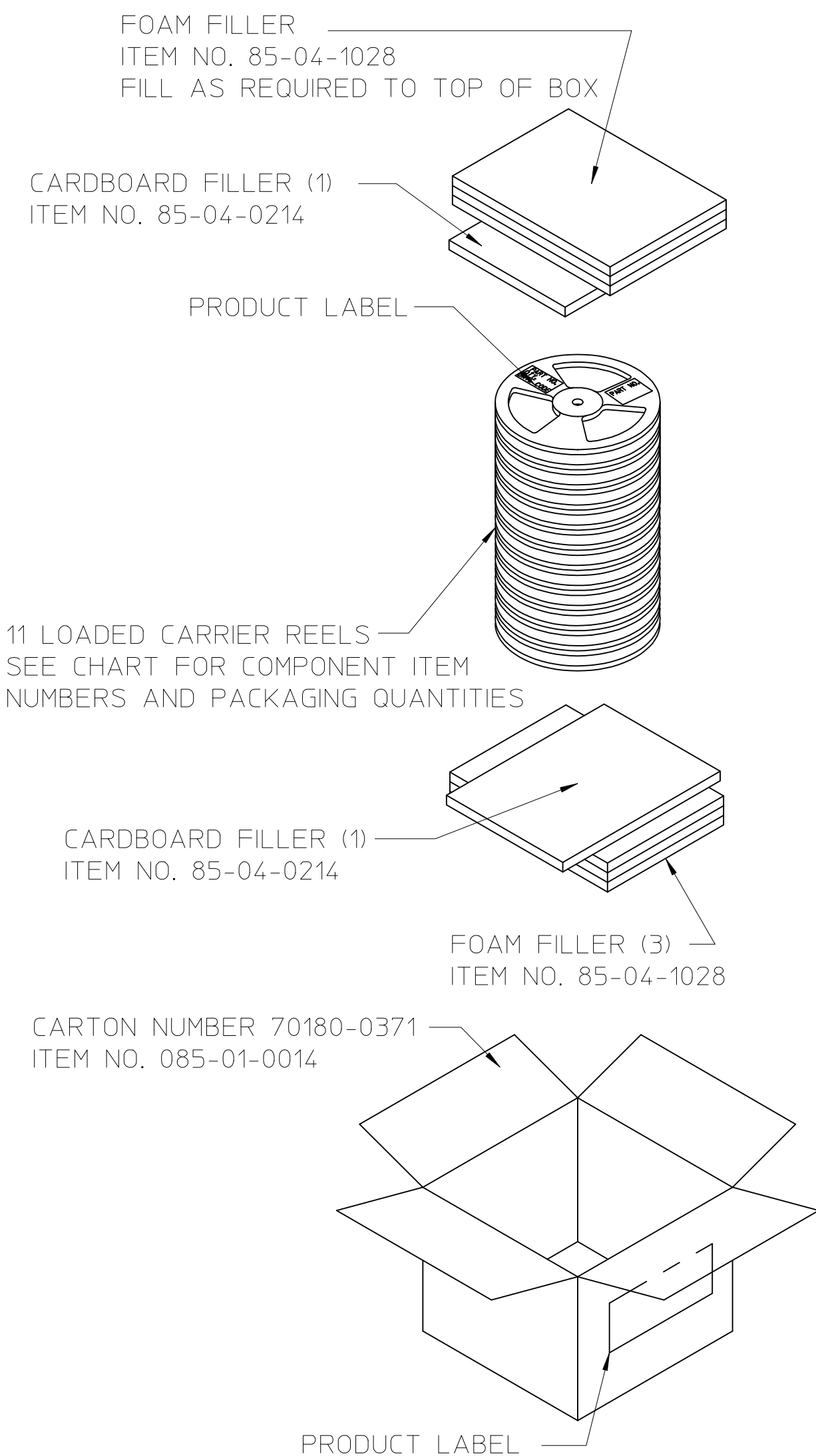
TYPICAL PART ORIENTATION FOR 6-12 CIRCUIT SIZES (32 AND 44MM WIDE CARRIER TAPE)

| SEE SHEET 1 EC NO: UCP2015-2680 DRWN:MKIPPER 2015/01/06 CHKD:NGUYEN 2015/01/13 APPR:FSMITH 2015/01/15 | REV DESCRIPTION A1 | QUALITY SYMBOLS | GENERAL TOLERANCES (UNLESS SPECIFIED) | DIMENSION STYLE | SCALE | DESIGN UNITS | THIRD ANGLE PROJECTION | | | | | | | | | | | | | | | | | | | | | |
|---|--|--|--|-----------------|---------------------|--------------|------------------------|----------|-------|----------|-------|---------|----------|--|----------|---------|---------|------------|------------|-------|-------|------------|-------------|--------|---|------------|-------|---|
| | | $\nabla = 0$ $\nabla = 0$ $\nabla = 0$ | <table border="1"> <tr><th colspan="2">mm</th><th>INCH</th></tr> <tr><td>4 PLACES</td><td>± ---</td><td>± ---</td></tr> <tr><td>3 PLACES</td><td>± ---</td><td>± ---</td></tr> <tr><td>2 PLACES</td><td>± ---</td><td>± ---</td></tr> <tr><td>1 PLACE</td><td>± ---</td><td>± ---</td></tr> <tr><td>0 PLACE</td><td>± ---</td><td>± ---</td></tr> </table> | mm | | INCH | 4 PLACES | ± --- | ± --- | 3 PLACES | ± --- | ± --- | 2 PLACES | ± --- | ± --- | 1 PLACE | ± --- | ± --- | 0 PLACE | ± --- | ± --- | MM/IN | --- | METRIC |  | | | |
| | | mm | | INCH | | | | | | | | | | | | | | | | | | | | | | | | |
| | | 4 PLACES | ± --- | ± --- | | | | | | | | | | | | | | | | | | | | | | | | |
| | | 3 PLACES | ± --- | ± --- | | | | | | | | | | | | | | | | | | | | | | | | |
| 2 PLACES | ± --- | ± --- | | | | | | | | | | | | | | | | | | | | | | | | | | |
| 1 PLACE | ± --- | ± --- | | | | | | | | | | | | | | | | | | | | | | | | | | |
| 0 PLACE | ± --- | ± --- | | | | | | | | | | | | | | | | | | | | | | | | | | |
| | <table border="1"> <tr><th>mm</th><th>INCH</th></tr> <tr><td>4 PLACES</td><td>± ---</td></tr> <tr><td>3 PLACES</td><td>± ---</td></tr> <tr><td>2 PLACES</td><td>± ---</td></tr> <tr><td>1 PLACE</td><td>± ---</td></tr> <tr><td>0 PLACE</td><td>± ---</td></tr> </table> | mm | INCH | 4 PLACES | ± --- | 3 PLACES | ± --- | 2 PLACES | ± --- | 1 PLACE | ± --- | 0 PLACE | ± --- | <table border="1"> <tr><th>DRAWN BY</th><th>DATE</th></tr> <tr><td>MKIPPER</td><td>2014/02/21</td></tr> <tr><th>CHECKED BY</th><th>DATE</th></tr> <tr><td>JBELL</td><td>2014/02/24</td></tr> <tr><th>APPROVED BY</th><th>DATE</th></tr> <tr><td>FSMITH</td><td>2014/05/13</td></tr> </table> | DRAWN BY | DATE | MKIPPER | 2014/02/21 | CHECKED BY | DATE | JBELL | 2014/02/24 | APPROVED BY | DATE | FSMITH | 2014/05/13 | TITLE | KK 254 RPC TAPE & REEL PK SPEC. FOR RIGHT ANGLE HEADER ASS'Y |
| mm | INCH | | | | | | | | | | | | | | | | | | | | | | | | | | | |
| 4 PLACES | ± --- | | | | | | | | | | | | | | | | | | | | | | | | | | | |
| 3 PLACES | ± --- | | | | | | | | | | | | | | | | | | | | | | | | | | | |
| 2 PLACES | ± --- | | | | | | | | | | | | | | | | | | | | | | | | | | | |
| 1 PLACE | ± --- | | | | | | | | | | | | | | | | | | | | | | | | | | | |
| 0 PLACE | ± --- | | | | | | | | | | | | | | | | | | | | | | | | | | | |
| DRAWN BY | DATE | | | | | | | | | | | | | | | | | | | | | | | | | | | |
| MKIPPER | 2014/02/21 | | | | | | | | | | | | | | | | | | | | | | | | | | | |
| CHECKED BY | DATE | | | | | | | | | | | | | | | | | | | | | | | | | | | |
| JBELL | 2014/02/24 | | | | | | | | | | | | | | | | | | | | | | | | | | | |
| APPROVED BY | DATE | | | | | | | | | | | | | | | | | | | | | | | | | | | |
| FSMITH | 2014/05/13 | | | | | | | | | | | | | | | | | | | | | | | | | | | |
| | ANGULAR ±1/2° | MATERIAL NO. | DOCUMENT NO. | | | | | | | | | | | | | | | | | | | | | | | | | |
| | DRAFT WHERE APPLICABLE MUST REMAIN WITHIN DIMENSIONS | | N/A | PK-171857-0001 | SHEET NO. 2 OF 3 | | | | | | | | | | | | | | | | | | | | | | | |
| THIS DRAWING CONTAINS INFORMATION THAT IS PROPRIETARY TO MOLEX INCORPORATED AND SHOULD NOT BE USED WITHOUT WRITTEN PERMISSION | | | | | | | | | | | | | | | | | | | | | | | | | | | | |

PACKAGING FOR REELS OF PARTS PACKAGED IN 24mm WIDE TAPE

PACKAGING FOR REELS OF PARTS PACKAGED IN 32mm WIDE TAPE

PACKAGING FOR REELS OF PARTS PACKAGED IN 44mm WIDE TAPE



| | | | | | | | | | |
|---|-----------------|---------------------------------------|-------|--|-----------------------|--|---|------------------------|--|
| SEE SHEET 1 EC NO: UCP2015-2680 DRWN:MKIPPER 2015/01/06 CHKD:NGUYEN 2015/01/13 APPR:FSMITH 2015/01/15 | QUALITY SYMBOLS | GENERAL TOLERANCES (UNLESS SPECIFIED) | | DIMENSION STYLE MM/IN | | SCALE --- | DESIGN UNITS METRIC | THIRD ANGLE PROJECTION | |
| | $\nabla = 0$ | 4 PLACES | mm | INCH | DRAWN BY MKIPPER | DATE 2014/02/21 | TITLE KK 254 RPC TAPE & REEL PK SPEC. FOR RIGHT ANGLE HEADER ASS'Y | | |
| | $\nabla = 0$ | 3 PLACES | ± --- | ± --- | CHECKED BY JBELL | DATE 2014/02/24 | <div style="text-align: center; font-weight: bold; font-size: 1.2em;">molex</div> | | |
| | $\nabla = 0$ | 2 PLACES | ± --- | ± --- | APPROVED BY FSMITH | DATE 2014/05/13 | | | |
| | | 1 PLACE | ± --- | ± --- | MATERIAL NO. N/A | | DOCUMENT NO. PK-171857-0001 | SHEET NO. 3 OF 3 | |
| | 0 PLACE | ± --- | ± --- | DRAFT WHERE APPLICABLE MUST REMAIN WITHIN DIMENSIONS | | THIS DRAWING CONTAINS INFORMATION THAT IS PROPRIETARY TO MOLEX INCORPORATED AND SHOULD NOT BE USED WITHOUT WRITTEN PERMISSION | | | |