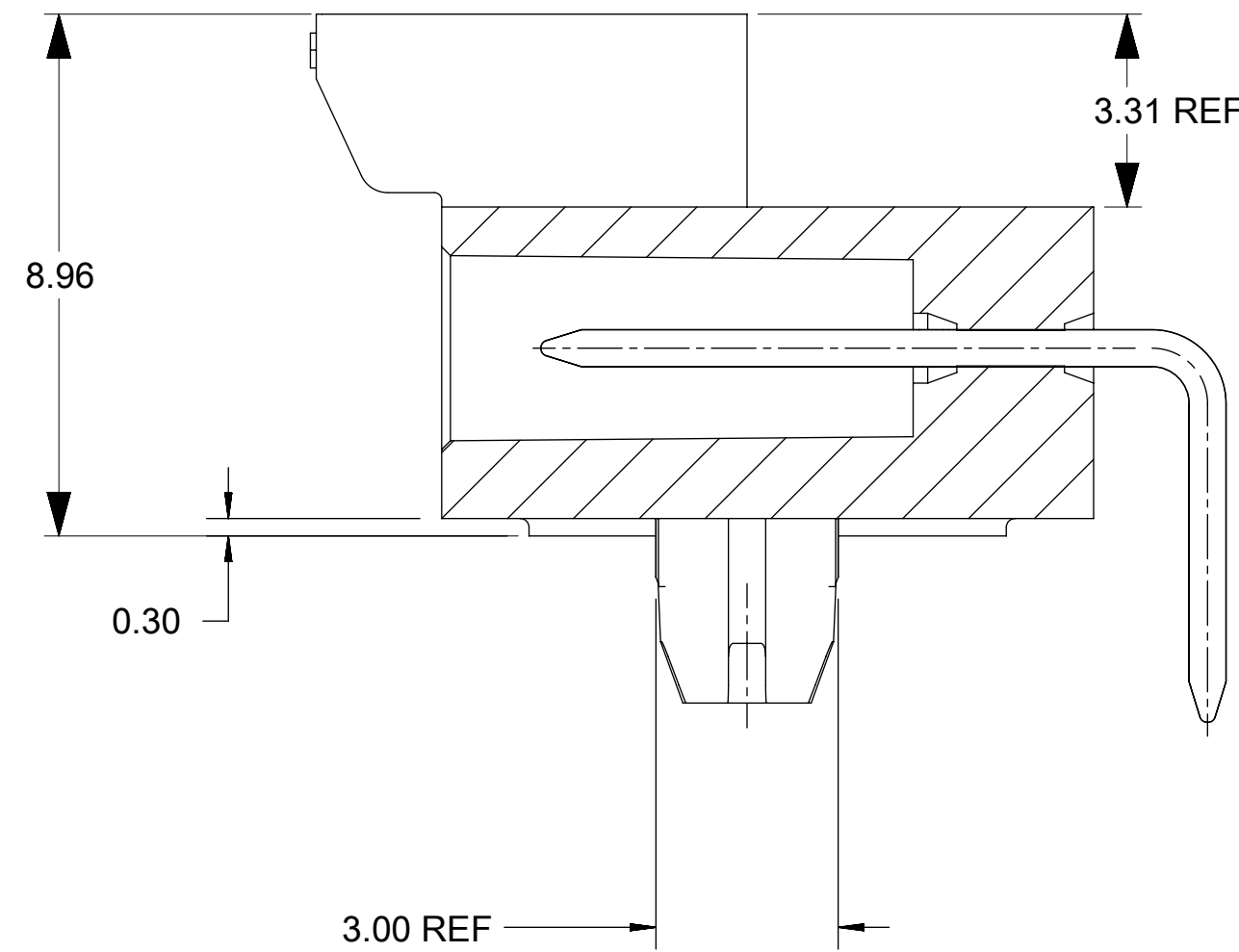
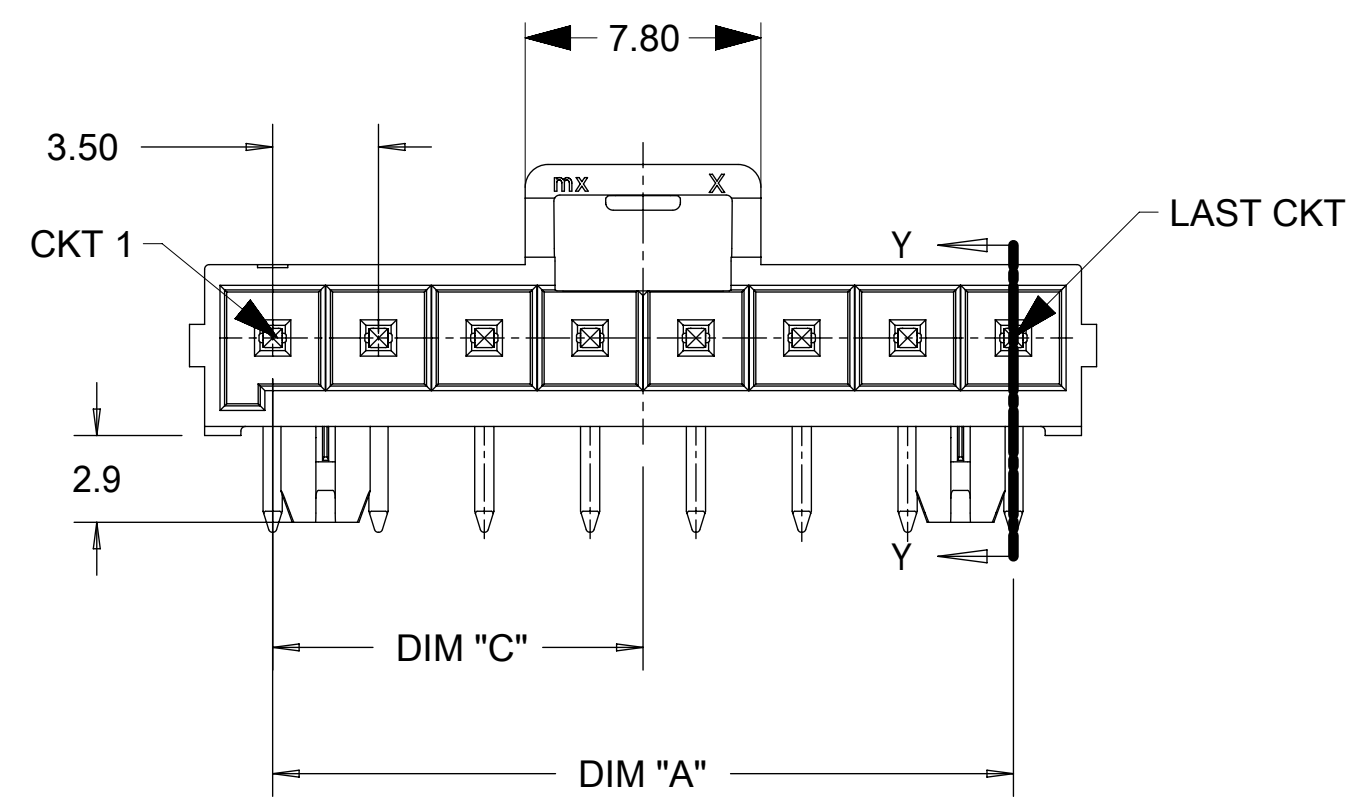
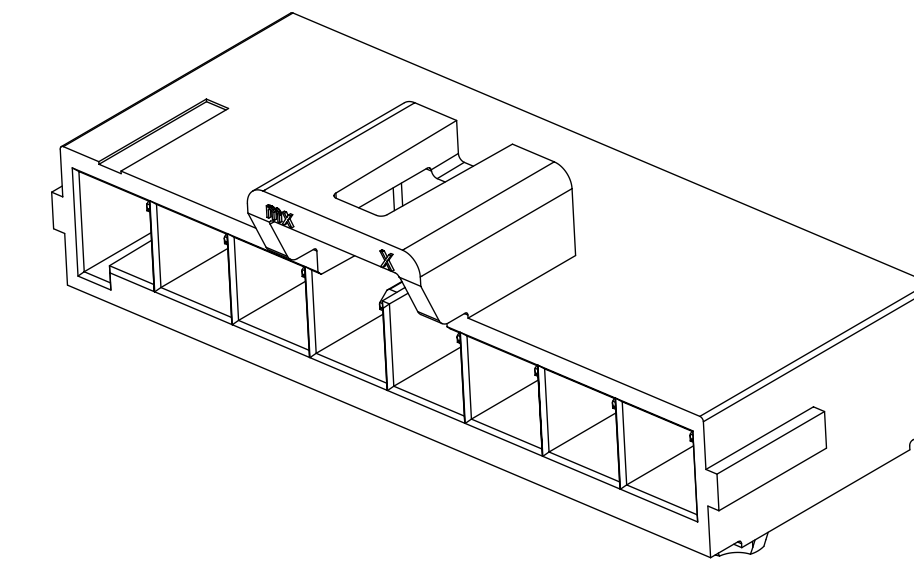
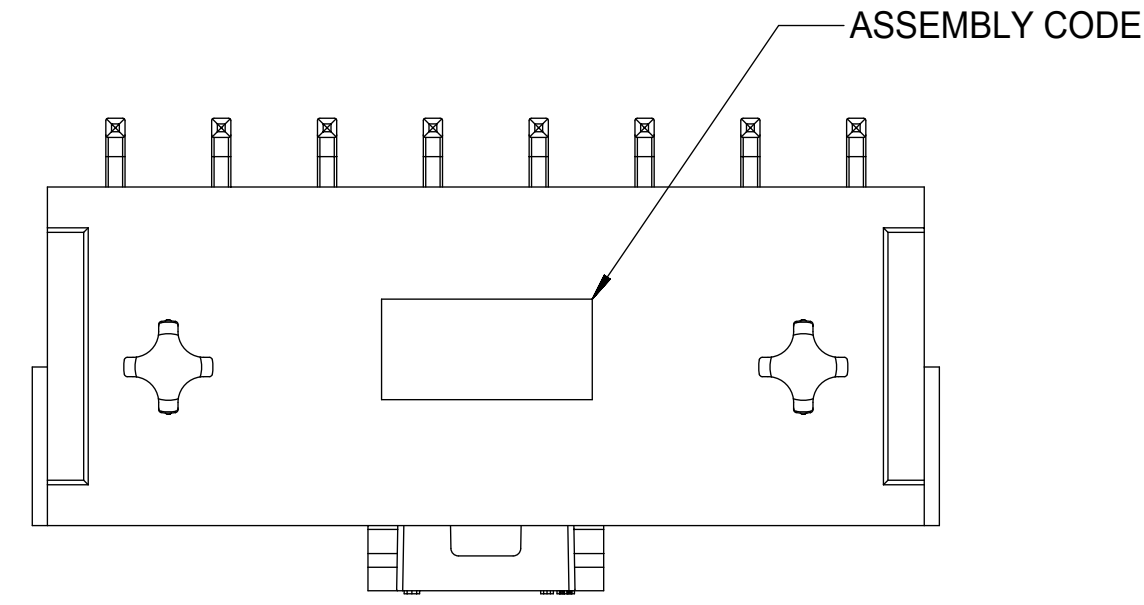
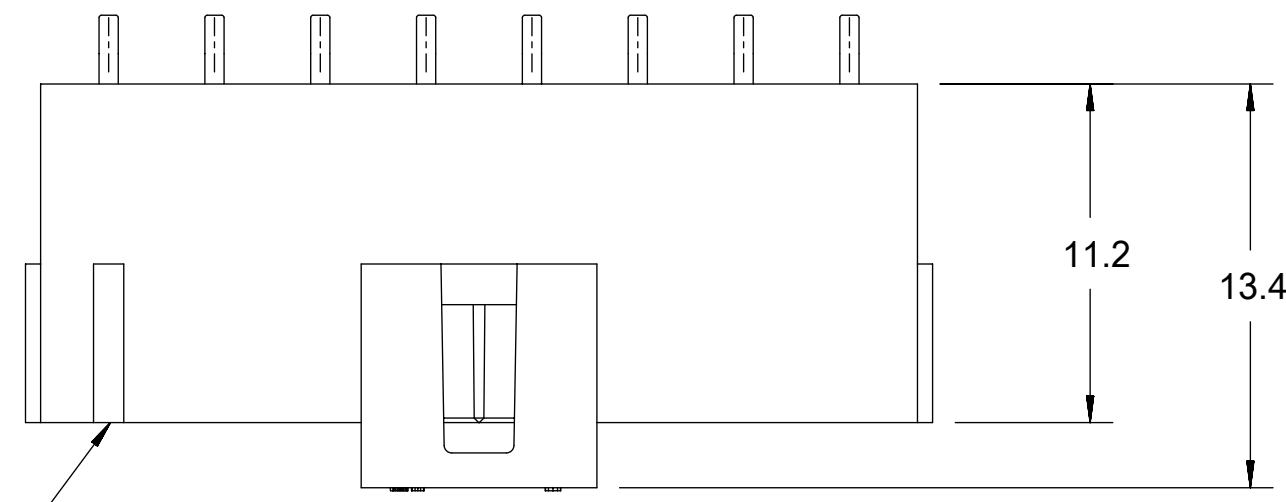
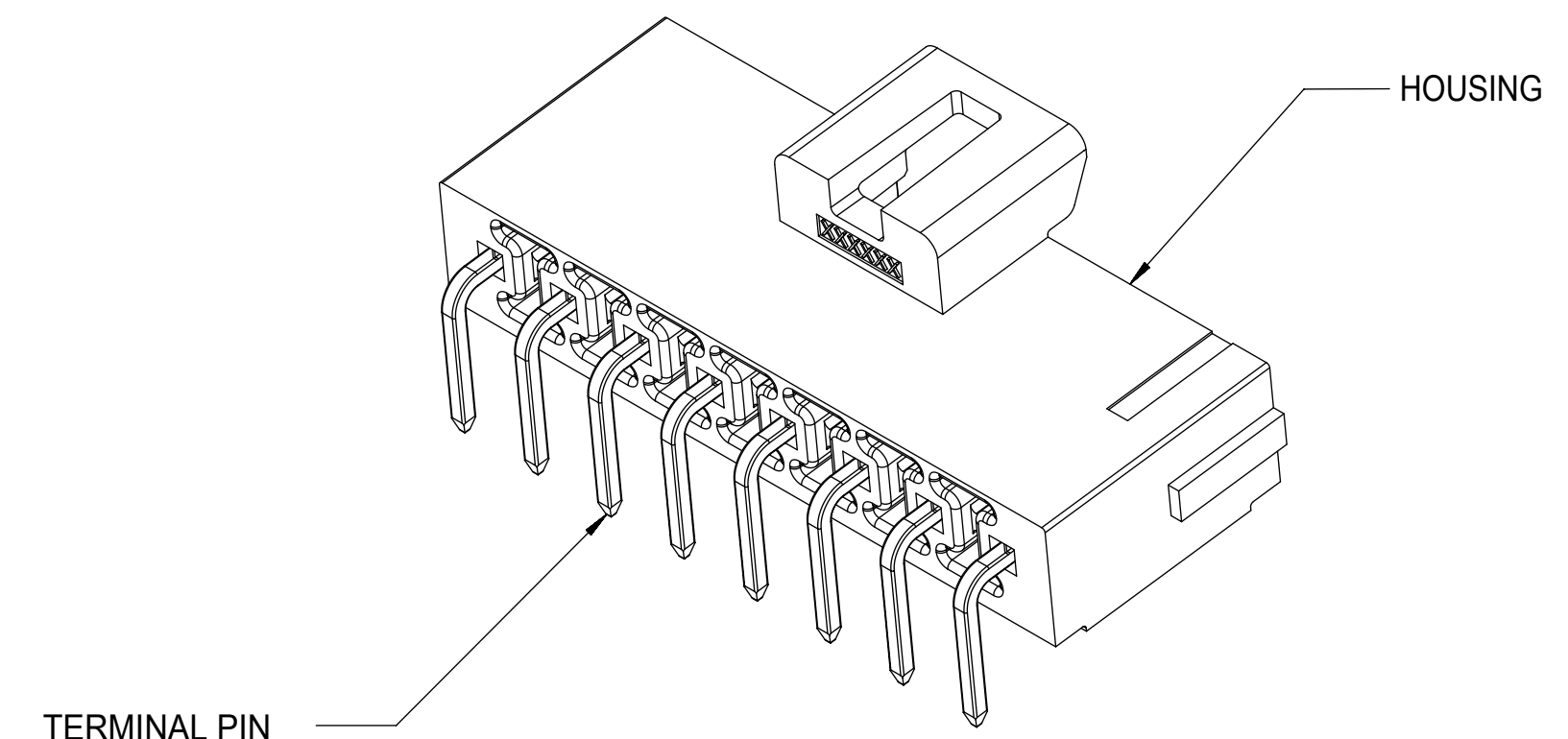
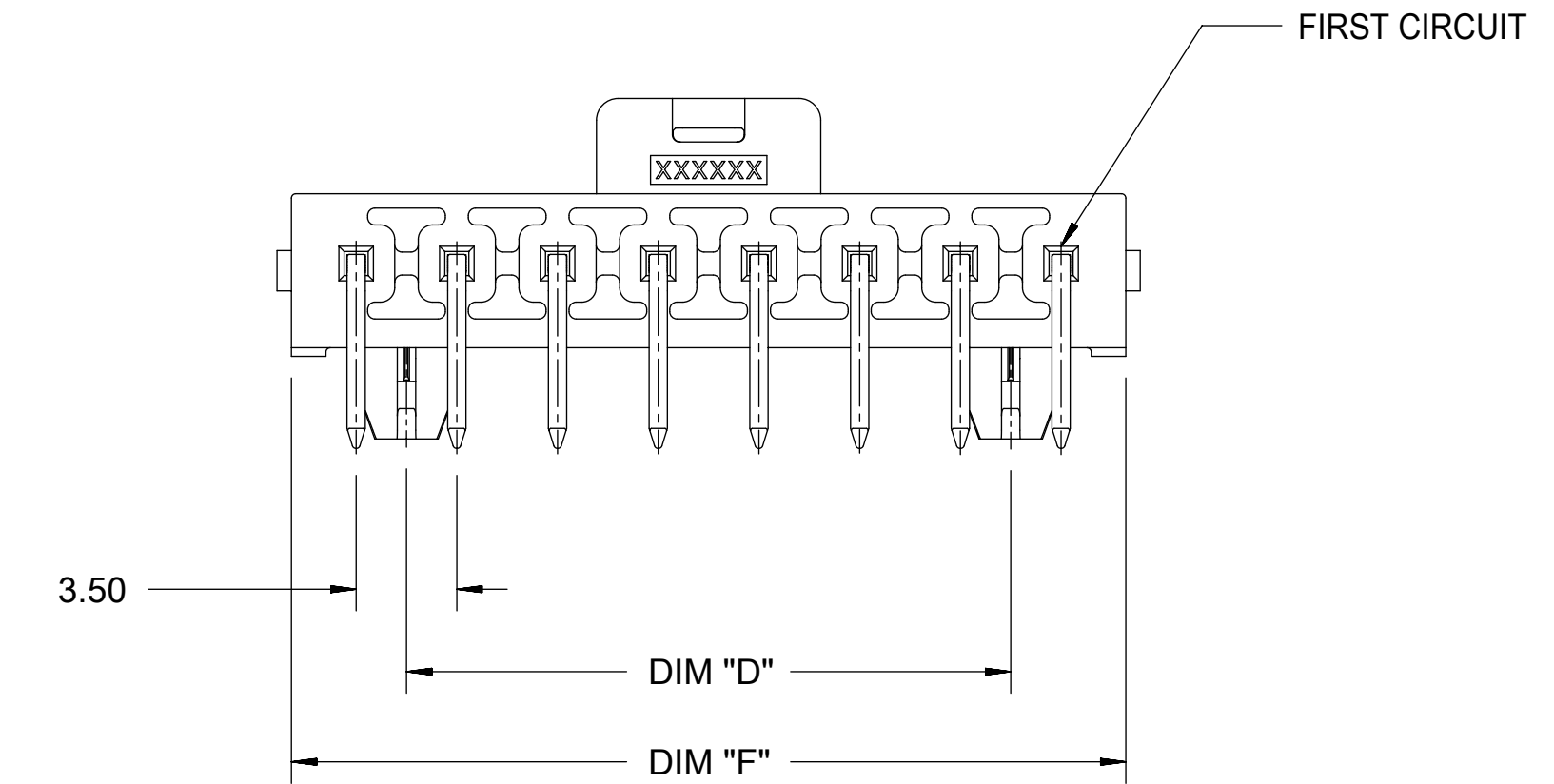


FIRST CIRCUIT MARK
(NOT SHOWING ON 2
AND 3 CIRCUITS SERIES)

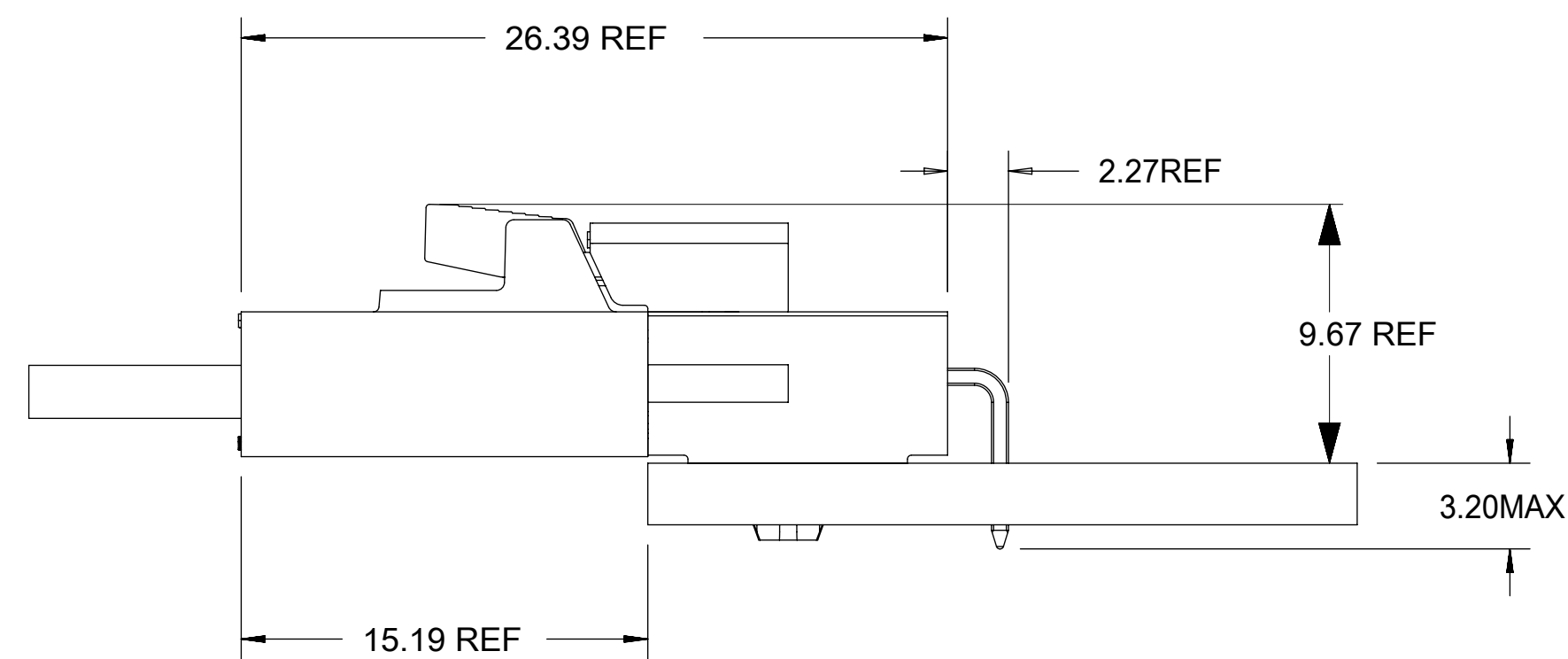


SECTION Y-Y
SCALE 8:1



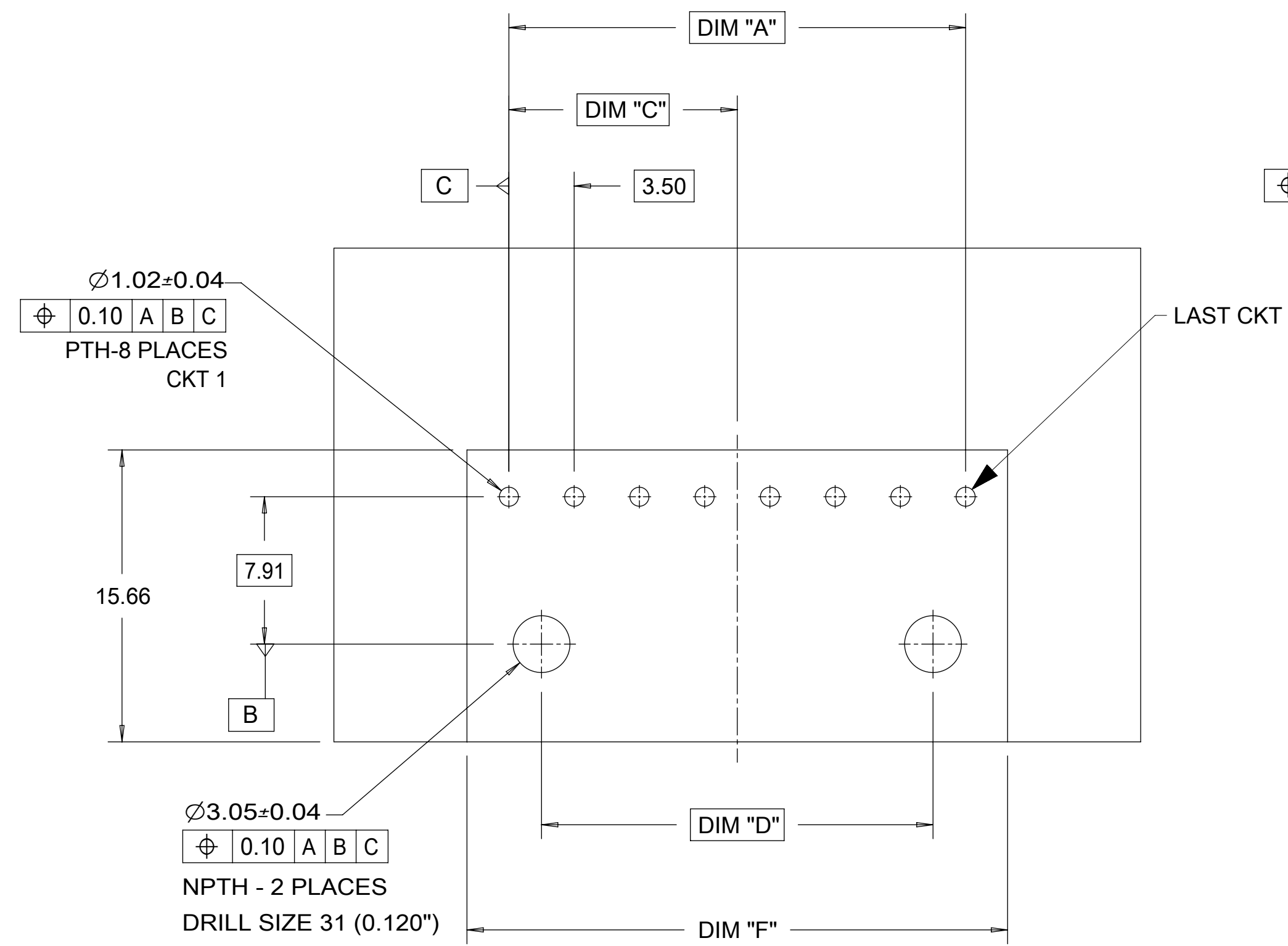
NOTES:

- MATERIAL :
HOUSING
OPTION 1: LCP BLACK, UL94 V-0
OPTION 2: LCP NATURAL, UL94 V-0
TERMINAL: COPPER ALLOY
- PLATING FINISH:
OPTION 1 - 1.5µm(60µin)-2.5µm(100µin) TIN OVER
1.25µm(50µin)-2.5µm(100µin) NICKEL OVERALL
OPTION 2 - 0.35µm(15µin) GOLD CONTACT AREA,
1.5µm(60µin)-2.5µm(100µin) TIN TAIL AREA OVER
1.25µm(50µin)-2.5µm(100µin) NICKEL OVERALL
OPTION 3 - 0.70µm(30µin) GOLD CONTACT AREA,
1.5µm(60µin)-2.5µm(100µin) TIN TAIL AREA OVER
1.25µm(50µin)-2.5µm(100µin) NICKEL OVERALL
- PARTS TO BE PACKAGED PER PK-172310-9001
- PRODUCT SPECIFICATION PS-172323-0001
- PART MATES WITH MOLEX RECEPTACLE HOUSING
172256 AND 172260
- PART CONFORMS TO CLASS "C" REQUIREMENTS OF SPECIFICATION
PS-45499-002 WITH 0.13 MM MAXIMUM FLASH ALLOWED IN CORE
HOLES AND FRONT SURFACE.
- DISCOLORATION IN THE BANDOLIER AREA OF THE PIN IS
INHERENT TO THE PLATING PROCESS AND IS DUE TO THE MASKING
EFFECT OF THE CARRIER. THIS DISCOLORATION IS IN A NON-FUNCTIONAL
AREA OF THE PIN AND WILL NOT AFFECT THE PERFORMANCE OF THE
HEADER ASSEMBLY.
- ASSEMBLY SPECIFICATION: AS-172323-0001

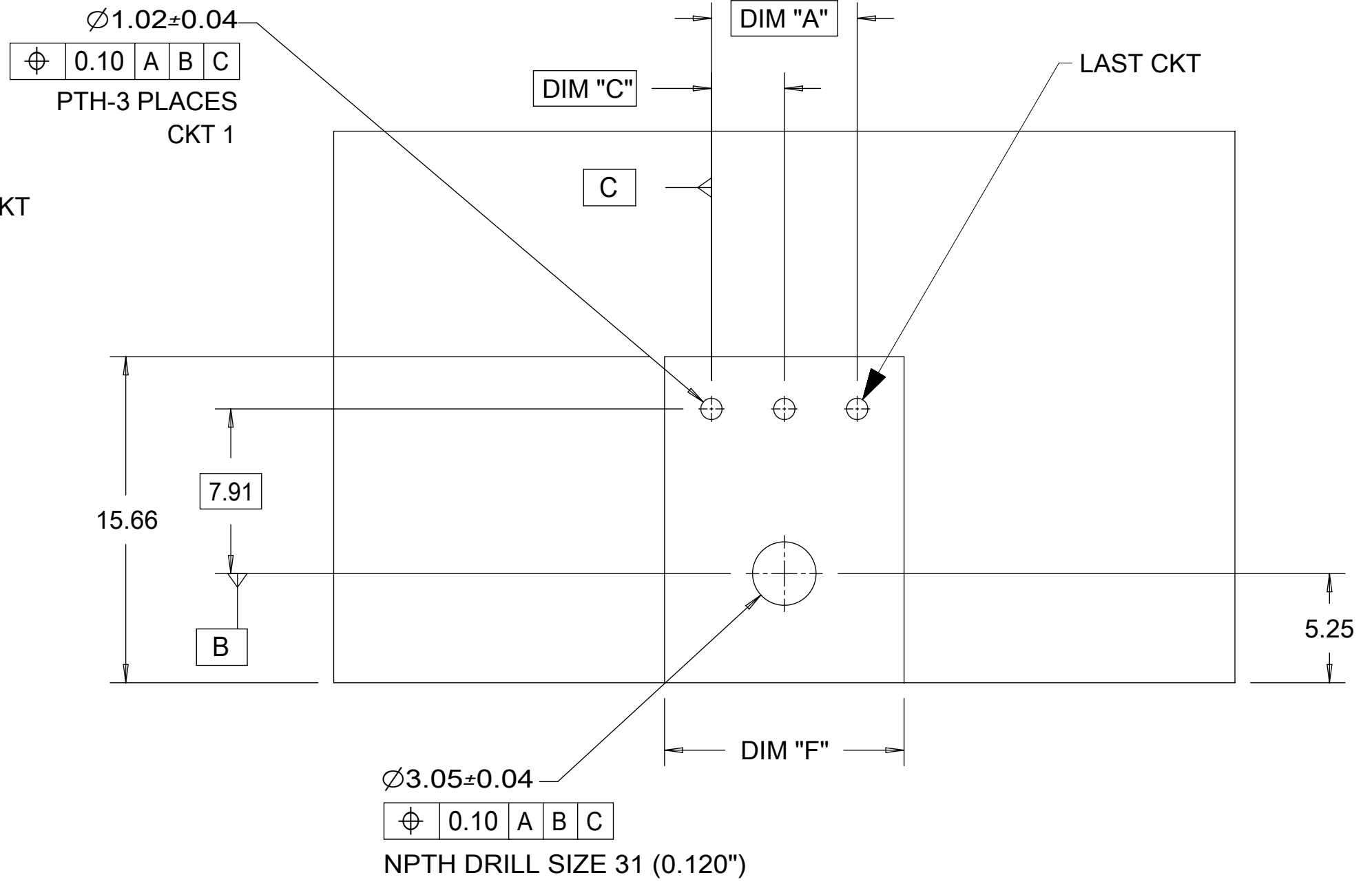


THIS DRAWING CONTAINS INFORMATION THAT IS PROPRIETARY TO MOLEX ELECTRONIC TECHNOLOGIES, LLC AND SHOULD NOT BE USED WITHOUT WRITTEN PERMISSION											
QUALITY SYMBOLS	2016/03/29	2016/03/29	GENERAL TOLERANCES (UNLESS SPECIFIED)		DIMENSION UNITS	SCALE					
			ANGULAR TOL ± °		MM	4:1					
▽ = 0	EC NO: 103949 DRWN: PPEREZ03 CHKD: REV/ APPR: RHODGE	2016/03/29	4 PLACES ±	DROSCA	DATE	ULTRA-FIT R/A HEADER 2-8 CKTS SINGLE ROW					
▽ = 0			3 PLACES ±	2014/03/05							
▽ = 0			2 PLACES ± 0.25	CHKD BY	DATE	PRODUCT CUSTOMER DRAWING					
▽ = 0			1 PLACE ± 0.5	JCOMERCI	2014/04/24						
▽ = 0			0 PLACES ±	APPR BY	DATE	SERIES	MATERIAL NUMBER	CUSTOMER			
▽ = 0			0 PLACES ±	DRAWING SIZE	THIRD ANGLE PROJECTION	172310	GENERAL MARKET				
▽ = 0	0 PLACES ±	DRAFT WHERE APPLICABLE MUST REMAIN WITHIN DIMENSIONS	D	DOCUMENT NUMBER		DOC TYPE	DOC PART	SHEET NUMBER			
▽ = 0	C2			SD-172310-1000		PSD	000	1 OF 3			

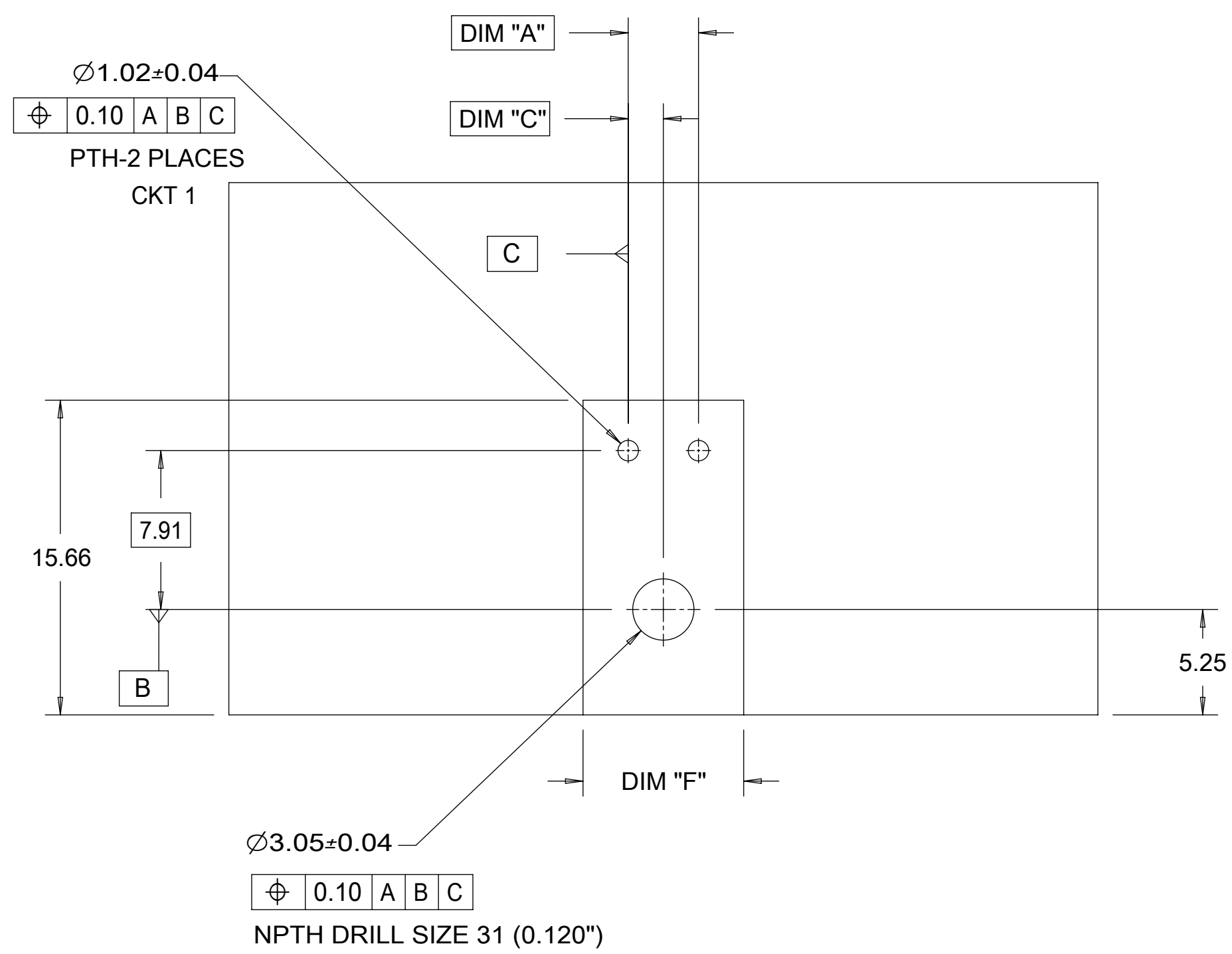
RELEASE STATUS	RELEASE DATE
----------------	--------------



PCB LAYOUT 4,5,6,7 AND 8 COMPONENT SIDE
RECOMENDED PCB THICKNESS 1.60MM-2.40MM

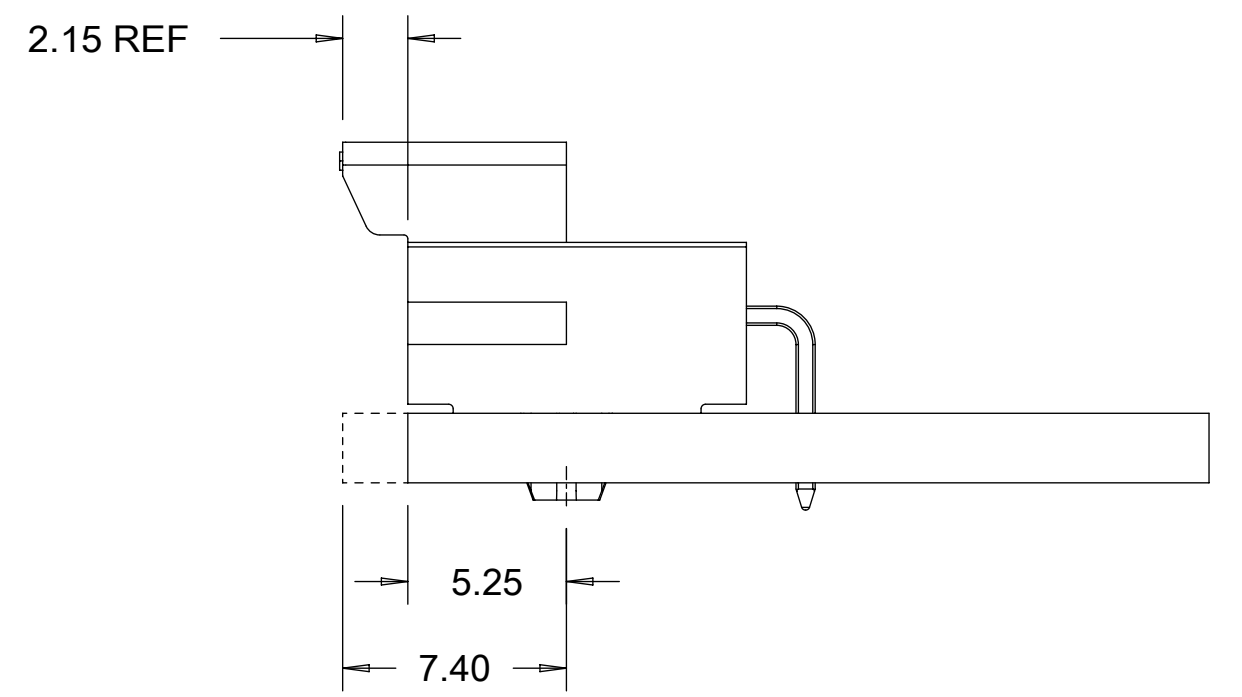


PCB LAYOUT 3 CIRCUIT COMPONENT SIDE
RECOMENDED PCB THICKNESS 1.60MM-2.40MM



PCB LAYOUT 2 CIRCUIT COMPONENT SIDE
RECOMENDED PCB THICKNESS 1.60MM-2.40MM

NOTE: DATUM -A- IS ON PCB COMPONENT SIDE



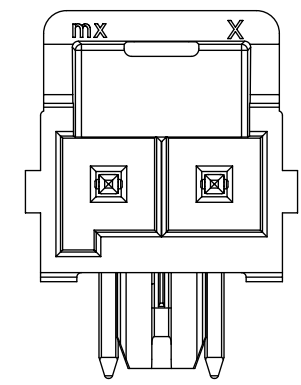
OPTION 1: LATCH FLUSH WITH PCB EDGE
OPTION 2: HOUSING BODY FLUSH WITH PCB EDGE

TIN PLATING							
PART NO.	COLOR	CIRCUIT SIZE	KEY OPTION	DIM A	DIM F	DIM C	DIM D
172310-1102	BLACK	2	KEY A	3.50	8.00	1.75	0.00
172310-1103	BLACK	3	KEY A	7.00	11.50	3.50	0.00
172310-1104	BLACK	4	KEY A	10.50	15.00	5.25	7.00
172310-1105	BLACK	5	KEY A	14.00	18.50	7.00	10.50
172310-1106	BLACK	6	KEY A	17.50	22.00	8.75	14.00
172310-1107	BLACK	7	KEY A	21.00	25.50	10.50	17.50
172310-1108	BLACK	8	KEY A	24.50	29.00	12.25	21.00
172310-2102	NATURAL	2	KEY B	3.50	8.00	1.75	0.00
172310-2103	NATURAL	3	KEY B	7.00	11.50	3.50	0.00
172310-2104	NATURAL	4	KEY B	10.50	15.00	5.25	7.00
172310-2105	NATURAL	5	KEY B	14.00	18.50	7.00	10.50
172310-2106	NATURAL	6	KEY B	17.50	22.00	8.75	14.00
172310-2107	NATURAL	7	KEY B	21.00	25.50	10.50	17.50
172310-2108	NATURAL	8	KEY B	24.50	29.00	12.25	21.00

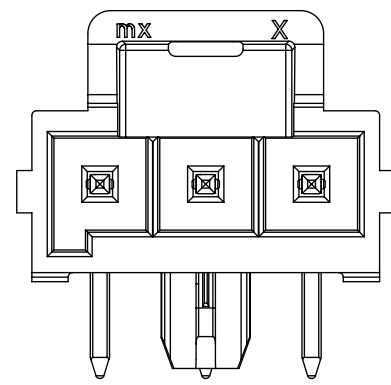
15 MICROINCH GOLD PLATING							
PART NO.	COLOR	CIRCUIT SIZE	KEY OPTION	DIM A	DIM F	DIM C	DIM D
172310-1202	BLACK	2	KEY A	3.50	8.00	1.75	0.00
172310-1203	BLACK	3	KEY A	7.00	11.50	3.50	0.00
172310-1204	BLACK	4	KEY A	10.50	15.00	5.25	7.00
172310-1205	BLACK	5	KEY A	14.00	18.50	7.00	10.50
172310-1206	BLACK	6	KEY A	17.50	22.00	8.75	14.00
172310-1207	BLACK	7	KEY A	21.00	25.50	10.50	17.50
172310-1208	BLACK	8	KEY A	24.50	29.00	12.25	21.00
172310-2202	NATURAL	2	KEY B	3.50	8.00	1.75	0.00
172310-2203	NATURAL	3	KEY B	7.00	11.50	3.50	0.00
172310-2204	NATURAL	4	KEY B	10.50	15.00	5.25	7.00
172310-2205	NATURAL	5	KEY B	14.00	18.50	7.00	10.50
172310-2206	NATURAL	6	KEY B	17.50	22.00	8.75	14.00
172310-2207	NATURAL	7	KEY B	21.00	25.50	10.50	17.50
172310-2208	NATURAL	8	KEY B	24.50	29.00	12.25	21.00

30 MICROINCH GOLD PLATING							
PART NO.	COLOR	CIRCUIT SIZE	KEY OPTION	DIM A	DIM F	DIM C	DIM D
172310-1302	BLACK	2	KEY A	3.50	8.00	1.75	0.00
172310-1303	BLACK	3	KEY A	7.00	11.50	3.50	0.00
172310-1304	BLACK	4	KEY A	10.50	15.00	5.25	7.00
172310-1305	BLACK	5	KEY A	14.00	18.50	7.00	10.50
172310-1306	BLACK	6	KEY A	17.50	22.00	8.75	14.00
172310-1307	BLACK	7	KEY A	21.00	25.50	10.50	17.50
172310-1308	BLACK	8	KEY A	24.50	29.00	12.25	21.00
172310-2302	NATURAL	2	KEY B	3.50	8.00	1.75	0.00
172310-2303	NATURAL	3	KEY B	7.00	11.50	3.50	0.00
172310-2304	NATURAL	4	KEY B	10.50	15.00	5.25	7.00
172310-2305	NATURAL	5	KEY B	14.00	18.50	7.00	10.50
172310-2306	NATURAL	6	KEY B	17.50	22.00	8.75	14.00
172310-2307	NATURAL	7	KEY B	21.00	25.50	10.50	17.50
172310-2308	NATURAL	8	KEY B	24.50	29.00	12.25	21.00

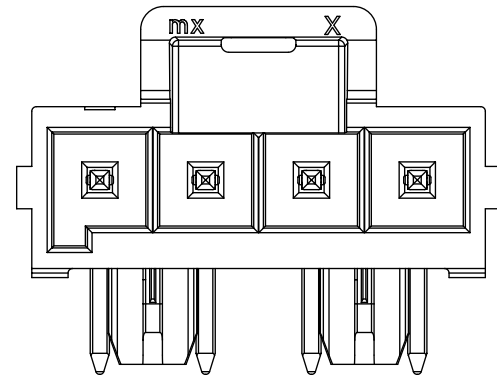
QUALITY SYMBOLS F = 0 E = 0 E = 0 ▽ = 0 C = 0 ⊠ = 0 ■ = 0 ▽ = 0	THIS DRAWING CONTAINS INFORMATION THAT IS PROPRIETARY TO MOLEX ELECTRONIC TECHNOLOGIES, LLC AND SHOULD NOT BE USED WITHOUT WRITTEN PERMISSION							
	EC NO: 103949 DRWN: PPerez03 CHKD: REV APPR: RHODGE	2016/03/29 2016/03/29	GENERAL TOLERANCES (UNLESS SPECIFIED) ANGULAR TOL ± ° 4 PLACES ± 3 PLACES ± 2 PLACES ± 0.25 1 PLACE ± 0.5 0 PLACES ± DRAFT WHERE APPLICABLE MUST REMAIN WITHIN DIMENSIONS	DIMENSION UNITS: MM SCALE: 4:1 DRWN BY: DROSCA DATE: 2014/03/05 CHKD BY: DATE: APPR BY: JCOMERCI DATE: 2014/04/24				
	RELEASE STATUS RELEASE DATE				RELEASE STATUS RELEASE DATE			
	NOTE: DATUM -A- IS ON PCB COMPONENT SIDE				NOTE: DATUM -A- IS ON PCB COMPONENT SIDE			



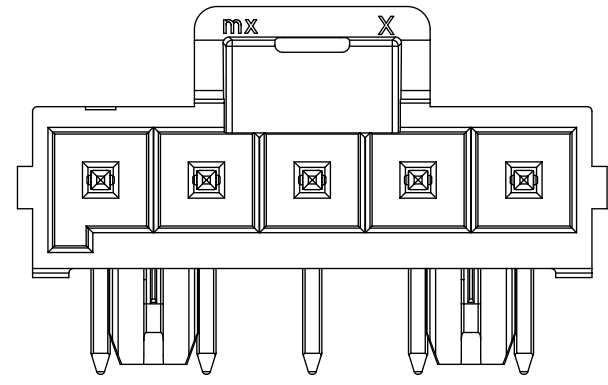
2 CKT



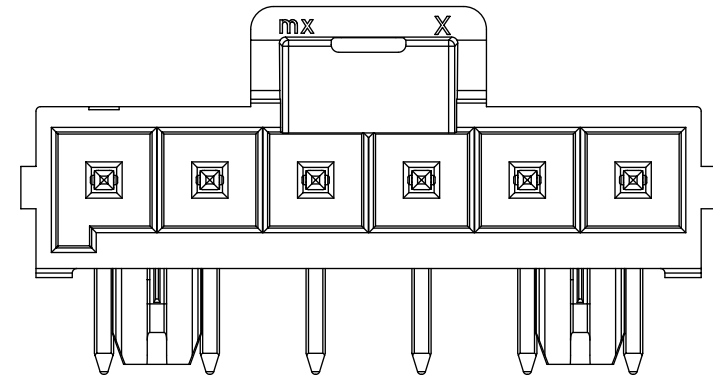
3 CKT



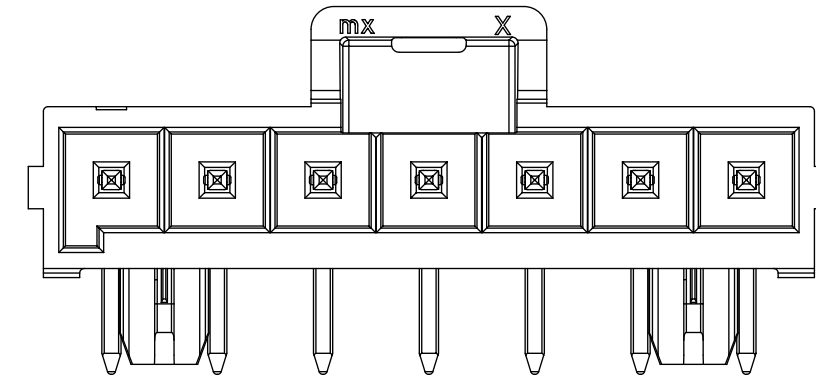
4 CKT



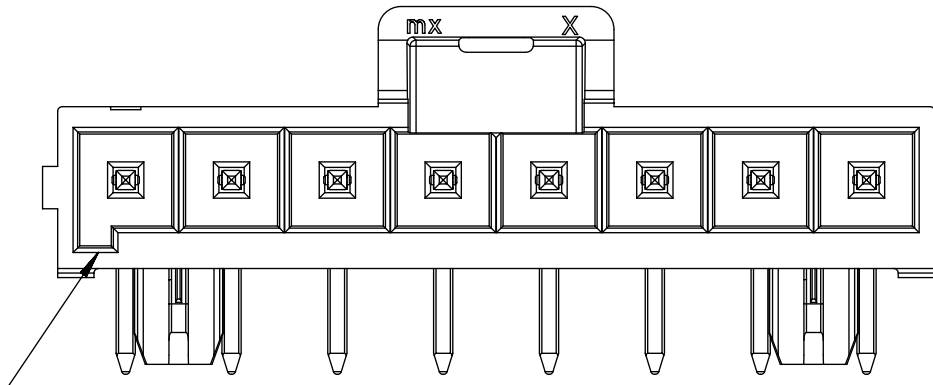
5 CKT



6 CKT

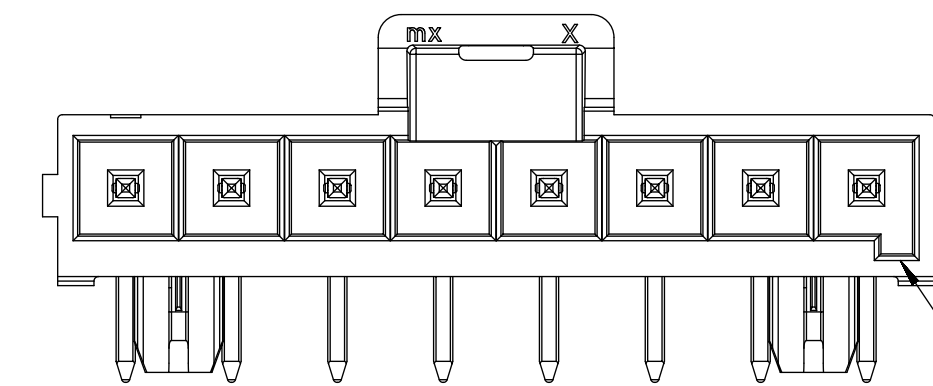


7 CKT



8 CKT

KEY A
(BLACK)



KEY B
(NATURAL)

QUALITY SYMBOLS 	THIS DRAWING CONTAINS INFORMATION THAT IS PROPRIETARY TO MOLEX ELECTRONIC TECHNOLOGIES, LLC AND SHOULD NOT BE USED WITHOUT WRITTEN PERMISSION										
	EC NO: 103949	DRWN: PPerez03	CHKD: RHODGE	REV: APPR: RHODGE	GENERAL TOLERANCES (UNLESS SPECIFIED)		DIMENSION UNITS	SCALE	 ULTRA-FIT R/A HEADER 2-8 CKTS SINGLE ROW		
	2016/03/29	2016/03/29			ANGULAR TOL ± °		MM	4:1			
	4 PLACES ±		DRWN BY		DATE		DROSCA		2014/03/05		
	3 PLACES ±		CHKD BY		DATE		JCOMERCI		2014/04/24		
	2 PLACES ± 0.25		APPR BY		DATE		DRAWING SIZE		THIRD ANGLE PROJECTION		
	1 PLACE ± 0.5		DRAFT WHERE APPLICABLE MUST REMAIN WITHIN DIMENSIONS		D		⊕		SERIES		
	0 PLACES ±		172310		MATERIAL NUMBER		CUSTOMER		GENERAL MARKET		
	C2		SD-172310-1000		DOC TYPE PSD		DOC PART 000		SHEET NUMBER 3 OF 3		