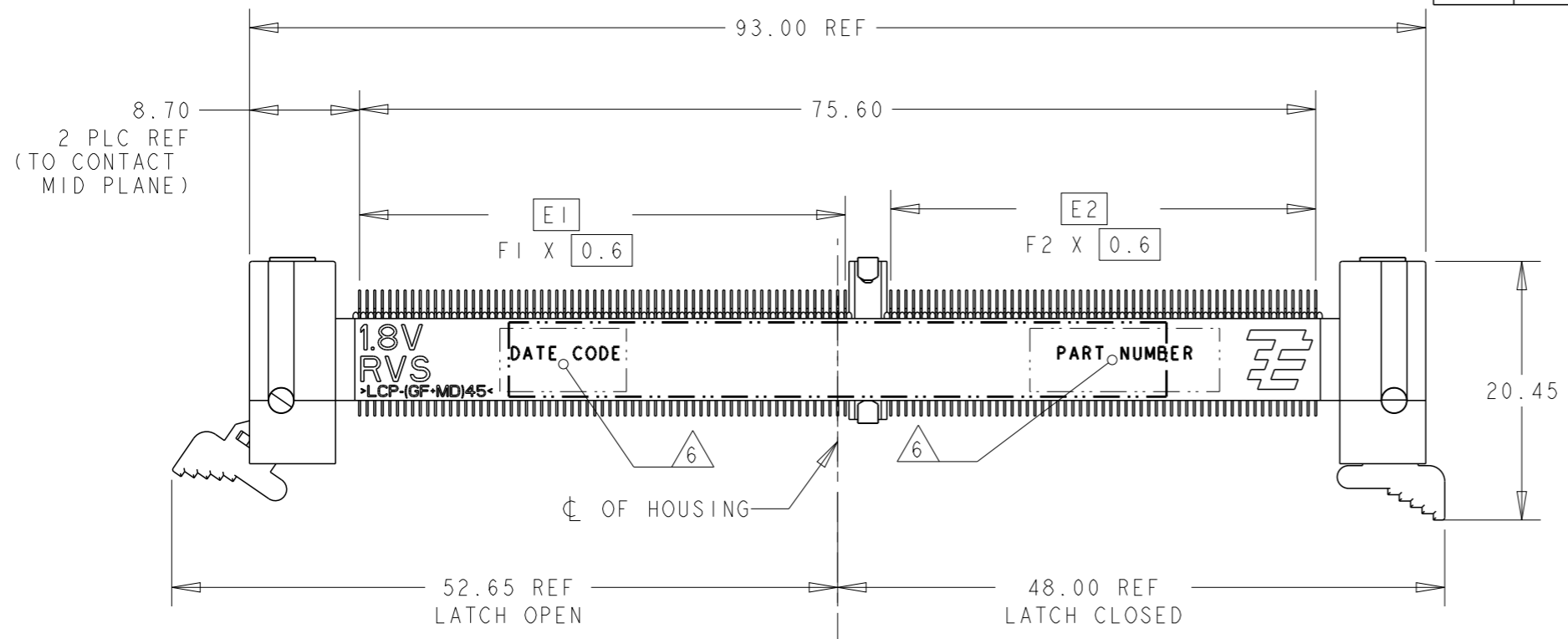


THIS DRAWING IS UNPUBLISHED. RELEASED FOR PUBLICATION .19 .
 © COPYRIGHT 19 BY AMP INCORPORATED. ALL RIGHTS RESERVED.

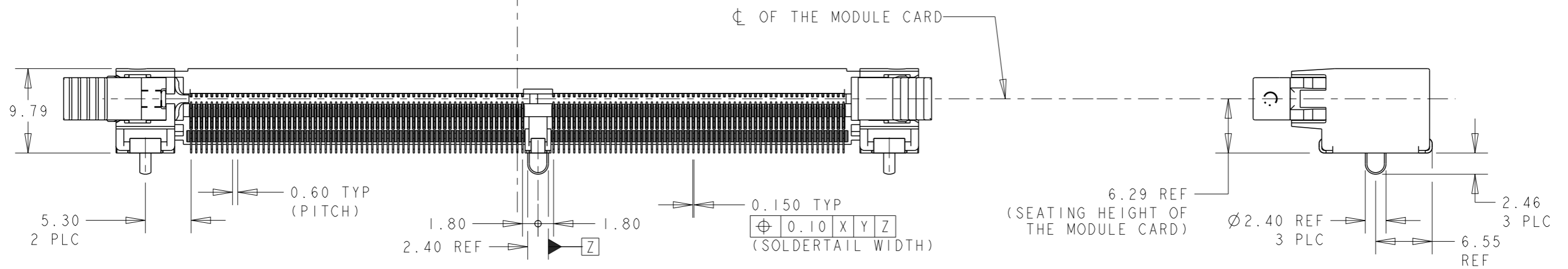
LOC
DY

DIST
-

REVISIONS					
P	LTR	DESCRIPTION	DATE	DWN	APVD
	B5	REVISED PER ECR-11-022142	01NOV2011	SYJ	LSF



- 1 MATERIAL: HOUSING: HIGH TEMP LCP, BLACK, UL94V-0
LATCHES: HIGH TEMP LCP, NATURAL, UL94V-0
CONTACTS: COPPER ALLOY
SOLDERPEGS: COPPER ALLOY
- 2 FINISH: ENGAGEMENT AREAS: 0.76µm MIN GOLD OVER
1.25µm MIN NICKEL
SOLDERTAILS: 0.02µm MIN GOLD OVER
1.25µm MIN NICKEL
- 3 FINISH: ENGAGEMENT AREAS: 0.38µm MIN GOLD OVER
1.25µm MIN NICKEL
SOLDERTAILS: 0.02µm MIN GOLD OVER
1.25µm MIN NICKEL
- 4 ACCEPTS 1.0mm THICK MEMORY MODULE, PER JEDEC MO-244, WITH BEVELS (FOR INSERTION LEAD-IN) REQUIRED.
- 5 PRODUCT SHALL BE PACKED IN JEDEC HARD TRAY (BLACK).
- 6 PART NUMBER AND DATE CODE SHALL BE MARKED LEGIBLY AS SHOWN. DATE CODE FORMAT: YYWWD.



64	56	38.4	33.6	45.5	40.7	DDR3 (AB/BB/CB) ; STD	1.5V	3	1- -4
64	56	38.4	33.6	45.5	40.7	DDR2 (AA/BA/CA) ; STD	1.8V	3	1- -3
56	64	33.6	38.4	40.7	45.5	DDR3 (AB/BB/CB) ; RVS	1.5V	3	1- -2
56	64	33.6	38.4	40.7	45.5	DDR2 (AA/BA/CA) ; RVS	1.8V	3	1- -1
64	56	38.4	33.6	45.5	40.7	DDR3 (AB/BB/CB) ; STD	1.5V	2	-4
64	56	38.4	33.6	45.5	40.7	DDR2 (AA/BA/CA) ; STD	1.8V	2	-3
56	64	33.6	38.4	40.7	45.5	DDR3 (AB/BB/CB) ; RVS	1.5V	2	-2
56	64	33.6	38.4	40.7	45.5	DDR2 (AA/BA/CA) ; RVS	1.8V	2	-1
F2	F1	E2	E1	B2	B1	VARIATION ; ORIENTATION MODULE	VOLTAGE MARKING	CONTACT FINISH	P/N

THIS DRAWING IS A CONTROLLED DOCUMENT FOR AMP INCORPORATED. IT IS SUBJECT TO CHANGE AND THE CONTROLLING ENGINEERING ORGANIZATION SHOULD BE CONTACTED FOR THE LATEST REVISION.

DWN WYLEE 18MAY2007
 CHK YJ SEE
 APVD SF LEONG
 PRODUCT SPEC 108-51091
 APPLICATION SPEC 114-51011
 WEIGHT -

STE TE CONNECTIVITY Singapore

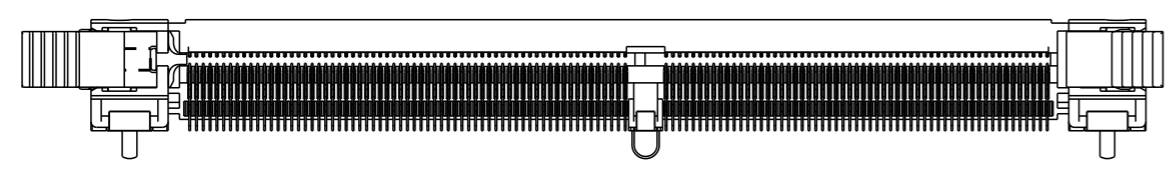
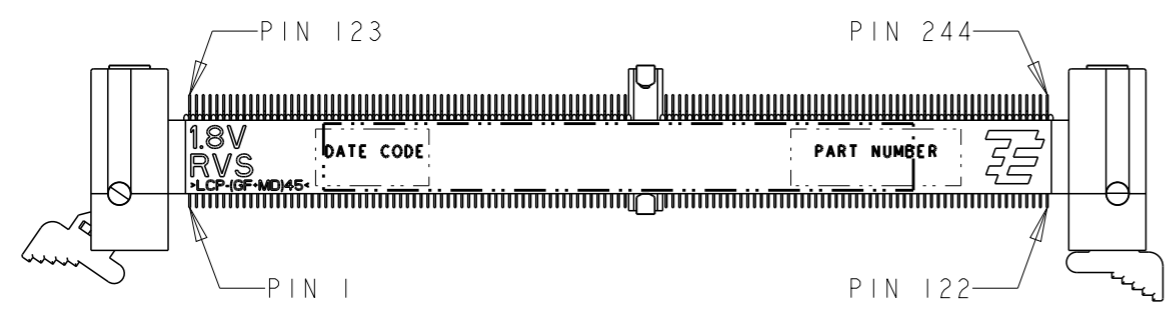
NAME ASSEMBLY, MINIDIMM, R/A, LF
 0.60mm PITCH, 244 CKTS, DDR2/3

SIZE A3 CAGE CODE 00779 DRAWING NO C-1735438

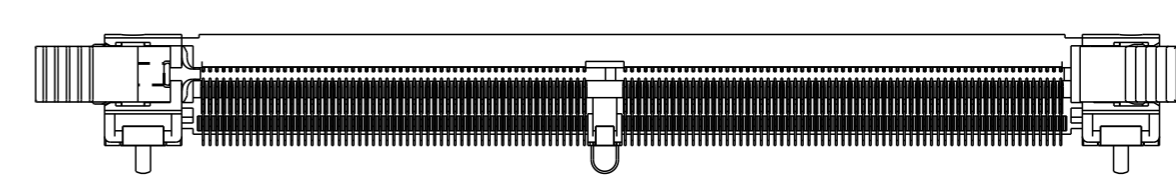
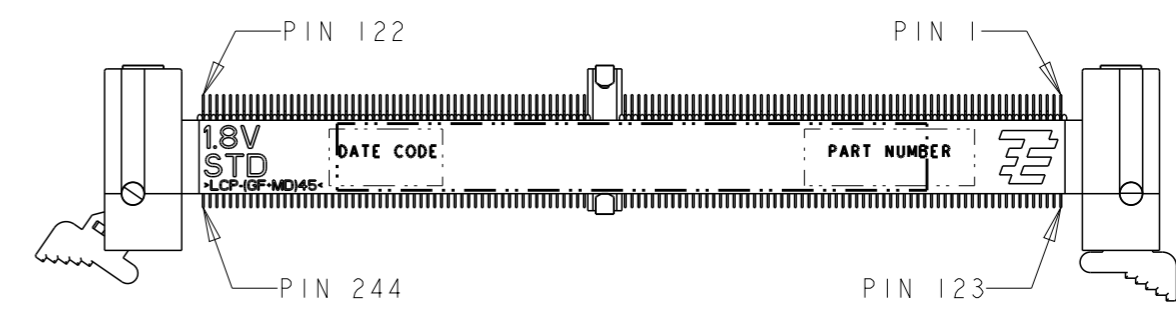
CUSTOMER DRAWING SCALE 1:1 SHEET 1 OF 5 REV B5

THIS DRAWING IS UNPUBLISHED. RELEASED FOR PUBLICATION .19 .
 © COPYRIGHT 19 BY AMP INCORPORATED. ALL RIGHTS RESERVED.

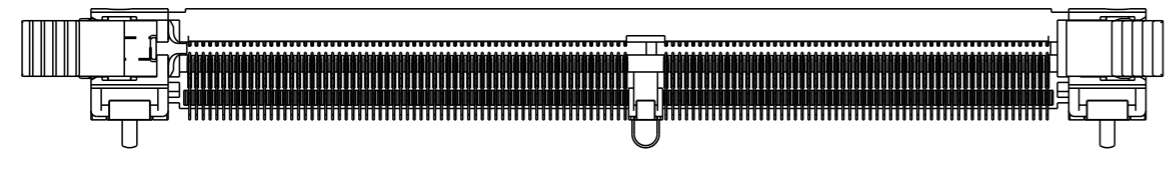
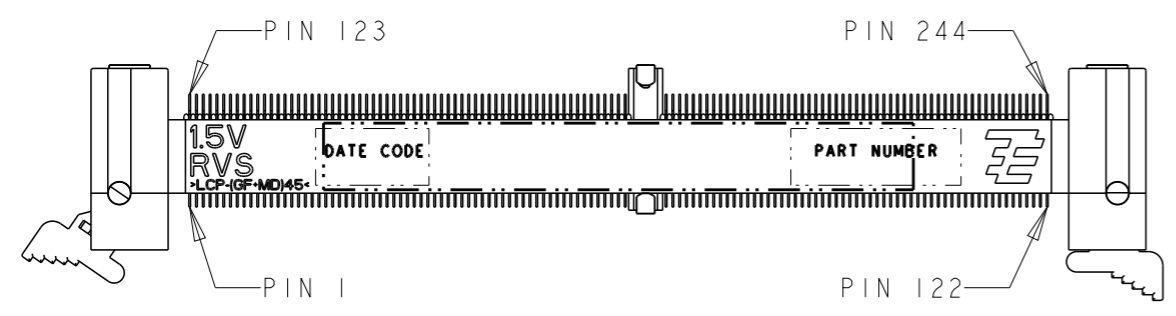
LOC		DIST		REVISIONS			
P	LTR	DESCRIPTION	DATE	DWN	APVD		
DY	-	SEE SHEET 1	-	-	-		



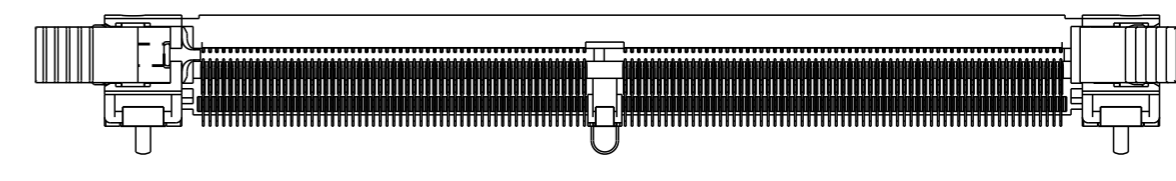
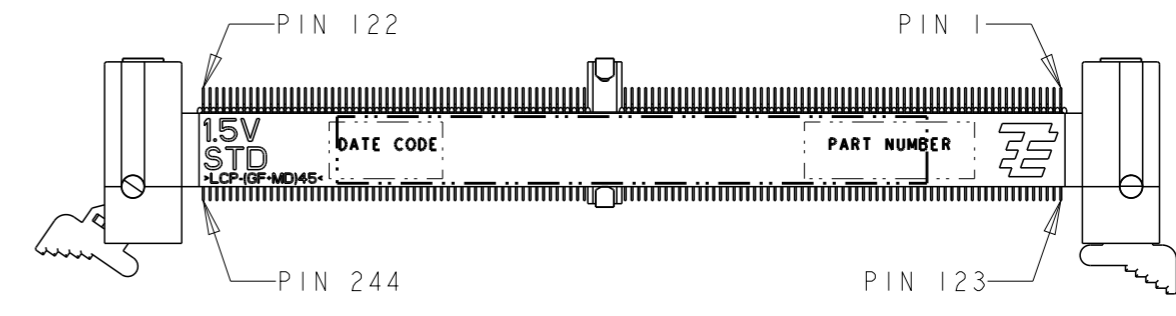
P/N X- -1
 (1.8V RVS)
 SCALE 3:2



P/N X- -3
 (1.8V STD)
 SCALE 3:2



P/N X- -2
 (1.5V RVS)
 SCALE 3:2

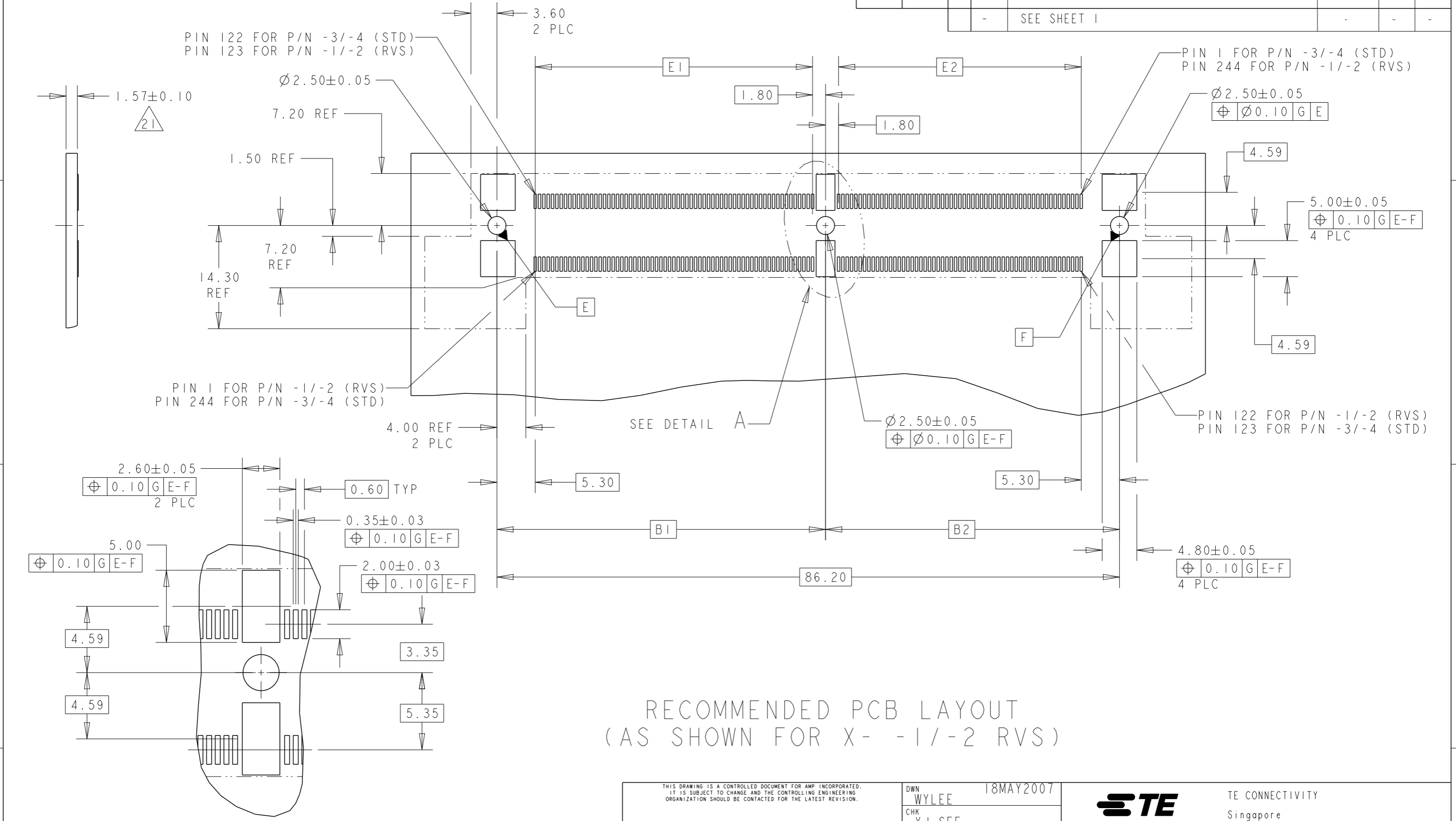


P/N X- -4
 (1.5V STD)
 SCALE 3:2

THIS DRAWING IS A CONTROLLED DOCUMENT FOR AMP INCORPORATED. IT IS SUBJECT TO CHANGE AND THE CONTROLLING ENGINEERING ORGANIZATION SHOULD BE CONTACTED FOR THE LATEST REVISION.		DWN WYLEE 18MAY2007 CHK YJ SEE APVD SF LEONG PRODUCT SPEC 108-51091 APPLICATION SPEC 114-51011 WEIGHT - CUSTOMER DRAWING	STE TE CONNECTIVITY Singapore NAME ASSEMBLY, MINIDIMM, R/A, LF 0.60mm PITCH, 244 CKTS, DDR2/3 SIZE A3 CAGE CODE 00779 DRAWING NO ©-1735438 SCALE 3:2 SHEET 2 OF 5 REV B5
DIMENSIONS: mm 	TOLERANCES UNLESS OTHERWISE SPECIFIED: 0 PLC ± 1 PLC ±0.25 2 PLC ±0.13 3 PLC ±0.10 4 PLC ± ANGLES ±1°	MATERIAL 	FINISH SEE P/N TABLE

THIS DRAWING IS UNPUBLISHED. RELEASED FOR PUBLICATION .19
 © COPYRIGHT 19 BY AMP INCORPORATED. ALL RIGHTS RESERVED.

LOC	DIST	REVISIONS					
DY	-	P	LTR	DESCRIPTION	DATE	DWN	APVD
		-		SEE SHEET 1			



RECOMMENDED PCB LAYOUT
 (AS SHOWN FOR X- -1/-2 RVS)

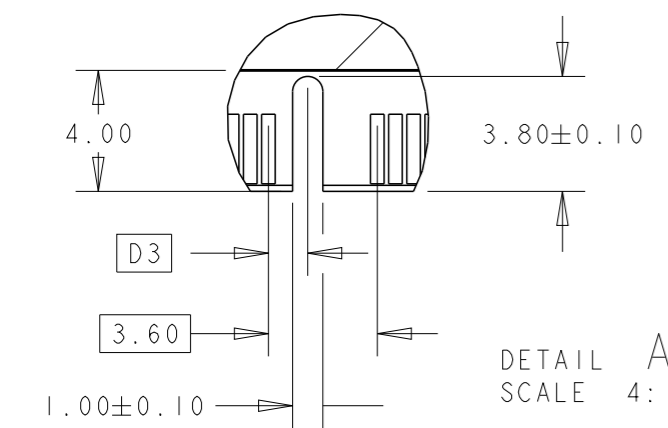
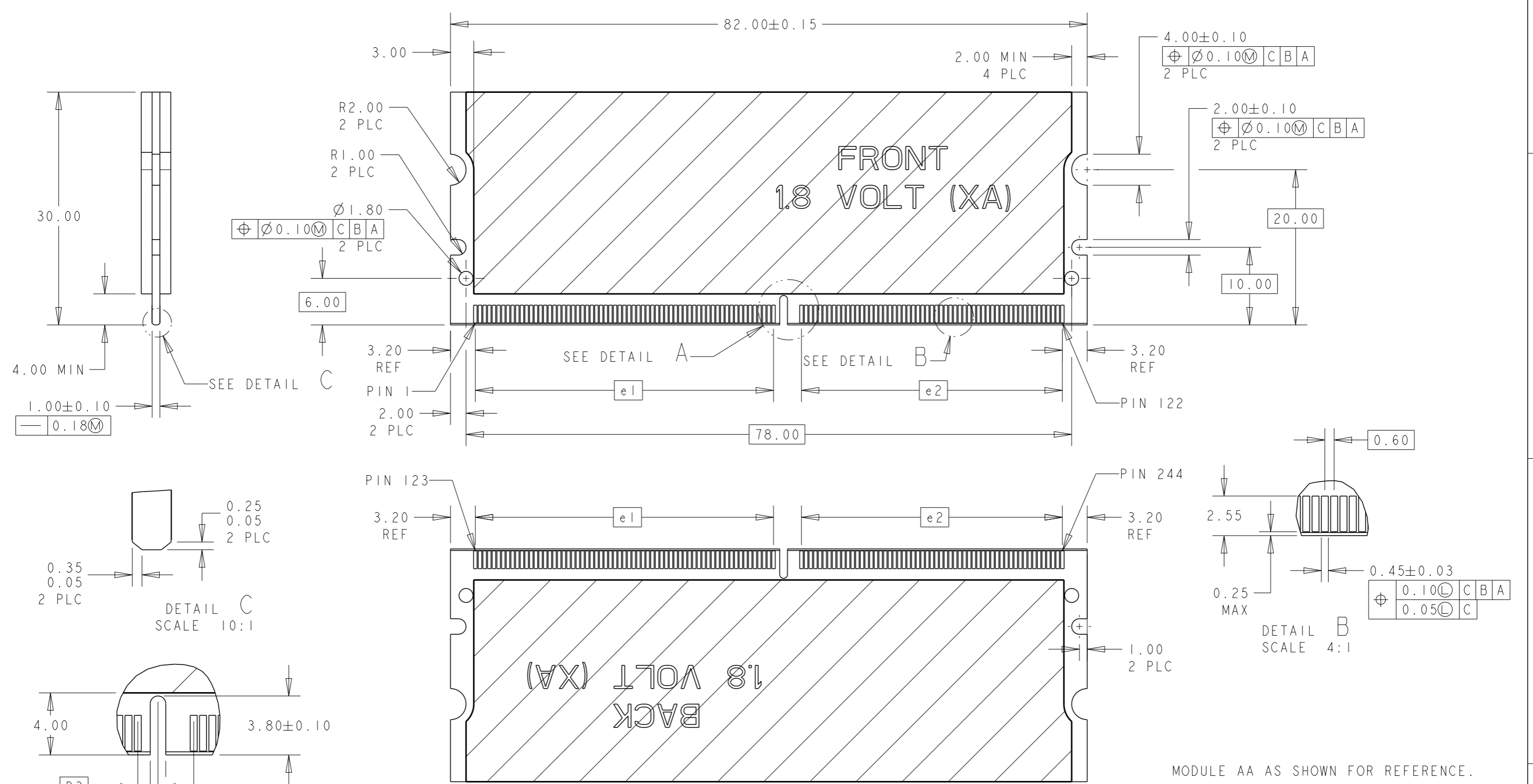
DETAIL A
 SCALE 4:1

NOTES:
 21 PCB THICKNESS IS NOT PART OF THE RECOMMENDED DIMENSIONS FOR THIS PRODUCT. THE DESIGN OF THIS CONNECTOR IS NOT DEPENDENT ON THE PCB THICKNESS.

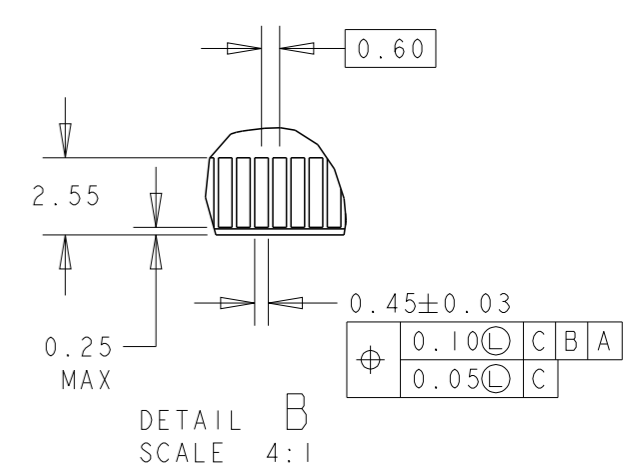
THIS DRAWING IS A CONTROLLED DOCUMENT FOR AMP INCORPORATED. IT IS SUBJECT TO CHANGE AND THE CONTROLLING ENGINEERING ORGANIZATION SHOULD BE CONTACTED FOR THE LATEST REVISION.		DWN WYLEE 18MAY2007	TE CONNECTIVITY Singapore	
DIMENSIONS: mm		CHK YJ SEE	NAME ASSEMBLY, MINIDIMM, R/A, LF 0.60mm PITCH, 244 CKTS, DDR2/3	
TOLERANCES UNLESS OTHERWISE SPECIFIED: 0 PLC ±.25 1 PLC ±0.25 2 PLC ±0.13 3 PLC ±0.10 4 PLC ±. ANGLES ±1°		APVD SF LEONG	PRODUCT SPEC 108-51091	
MATERIAL		FINISH	APPLICATION SPEC 114-51011	WEIGHT -
		CUSTOMER DRAWING		SCALE 2:1
		SIZE A3	CAGE CODE 00779	DRAWING NO C-1735438
		SHEET 3 OF 5		REV B5

THIS DRAWING IS UNPUBLISHED. RELEASED FOR PUBLICATION .19 .
 BY AMP INCORPORATED. ALL RIGHTS RESERVED.

LOC DY	DIST -	REVISIONS		
P	LTR	DESCRIPTION	DATE	DWN
-	-	SEE SHEET 1	-	-



DETAIL C
SCALE 10:1



DETAIL B
SCALE 4:1

FOR P/N X- -2 AND X- -4.	2.3	33.6	38.4	1.5V	AB/BB/CB
FOR P/N X- -1 AND X- -3.	1.3	33.6	38.4	1.8V	AA/BA/CA
REMARKS	D3	e2	e1	VOLTAGE MARKING	MODULE VARIATION

THIS DRAWING IS A CONTROLLED DOCUMENT FOR AMP INCORPORATED. IT IS SUBJECT TO CHANGE AND THE CONTROLLING ENGINEERING ORGANIZATION SHOULD BE CONTACTED FOR THE LATEST REVISION.

DWN WYLEE	18MAY2007	STE TE CONNECTIVITY Singapore
CHK YJ SEE		
APVD SF LEONG	PRODUCT SPEC 108-51091	NAME ASSEMBLY, MINIDIMM, R/A, LF 0.60mm PITCH, 244 CKTS, DDR2/3
MATERIAL	FINISH	SIZE A3
		CAGE CODE 00779
		DRAWING NO C-1735438
		SCALE 1:1
		SHEET 4 OF 5
		REV B5

CUSTOMER DRAWING

THIS DRAWING IS UNPUBLISHED.

RELEASED FOR PUBLICATION

.19

© COPYRIGHT 19

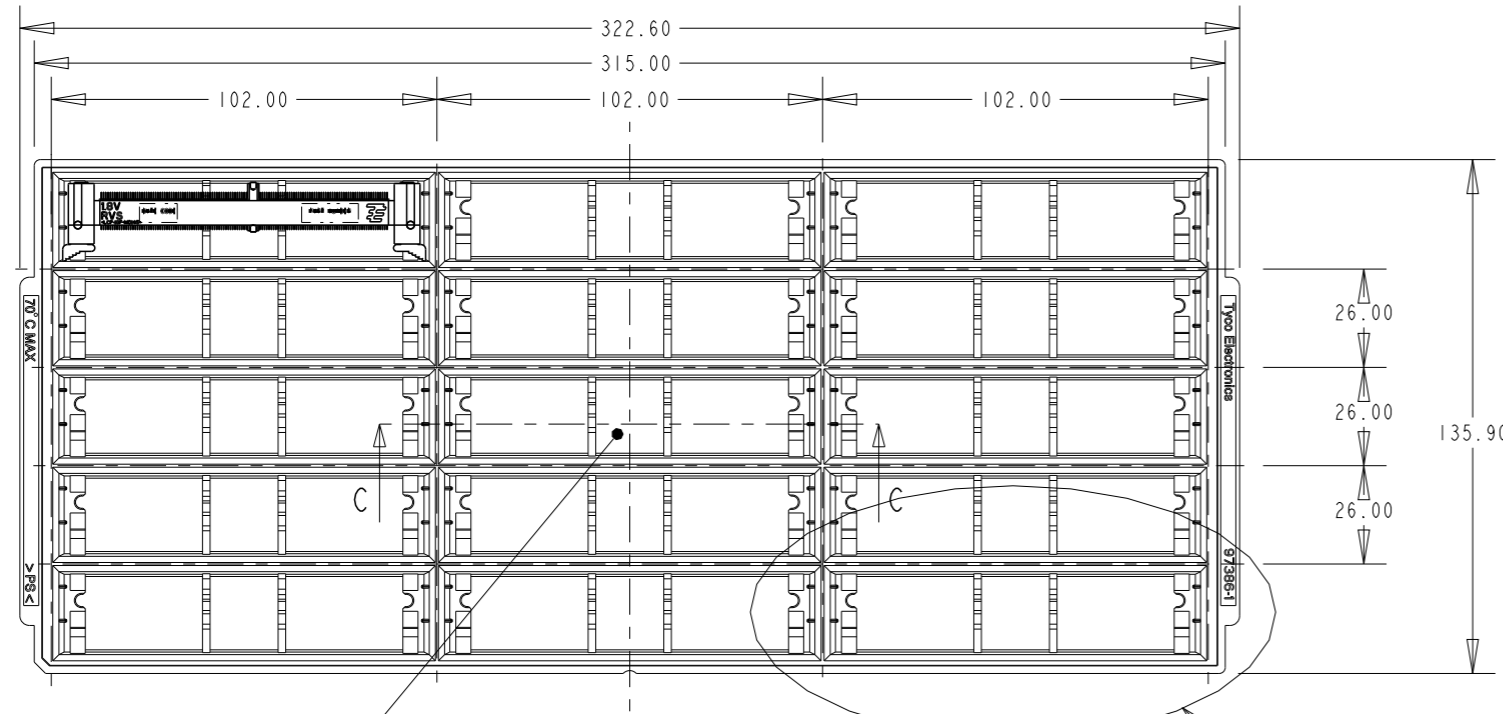
BY AMP INCORPORATED. ALL RIGHTS RESERVED.

LOC
DY

DIST
-

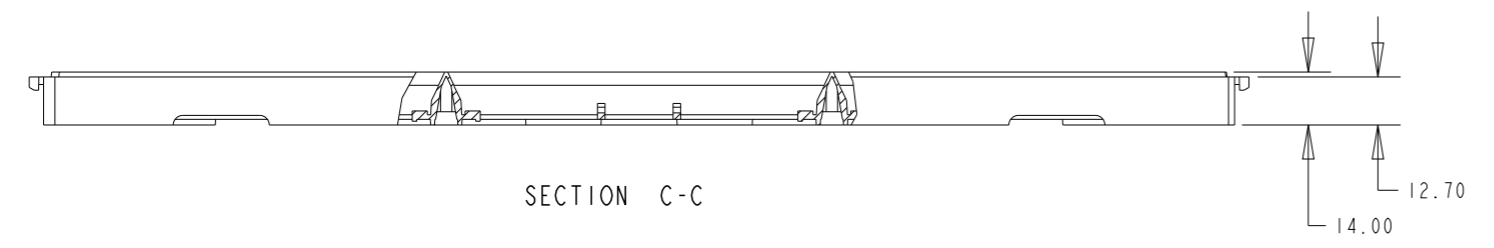
REVISIONS

P	LTR	DESCRIPTION	DATE	DWN	APVD
-	-	SEE SHEET 1	-	-	-

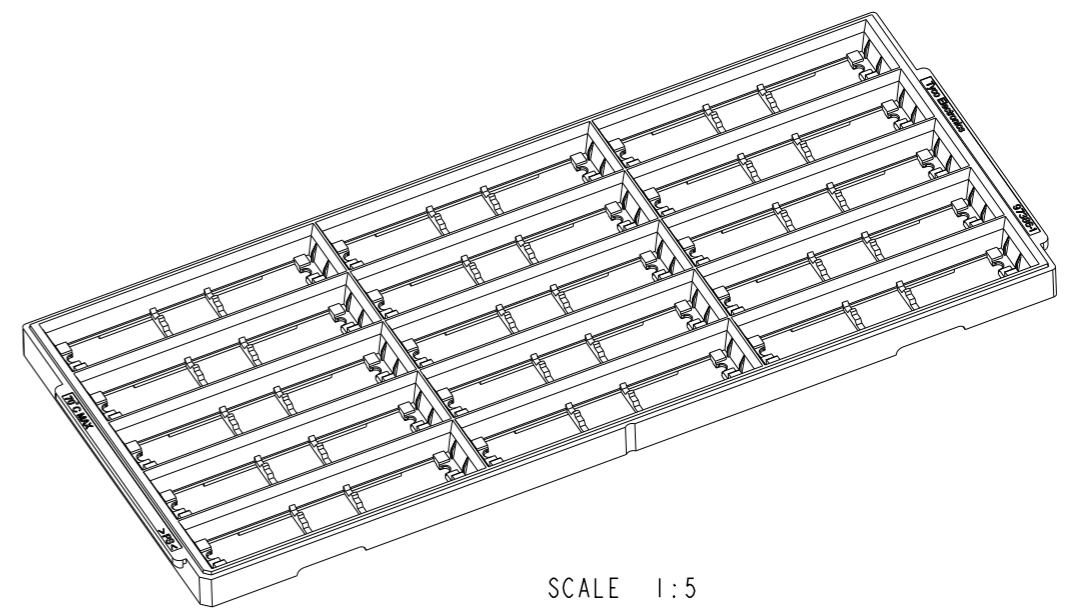


Base of centre pocket is solid.

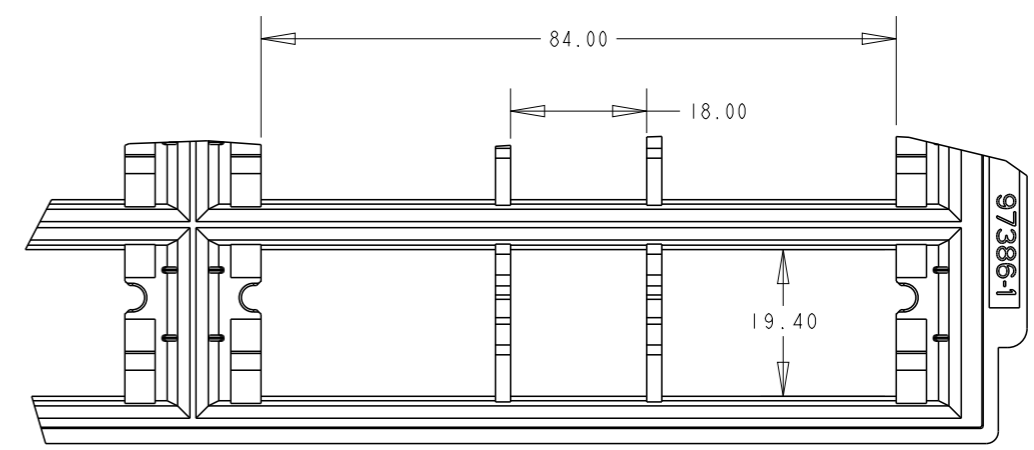
SEE DETAIL A



SECTION C-C



SCALE 1:5



DETAIL A
SCALE 2:1

THIS DRAWING IS A CONTROLLED DOCUMENT FOR AMP INCORPORATED. IT IS SUBJECT TO CHANGE AND THE CONTROLLING ENGINEERING ORGANIZATION SHOULD BE CONTACTED FOR THE LATEST REVISION.		DWN WYLEE 18MAY2007	TE CONNECTIVITY Singapore		
DIMENSIONS: mm		CHK YJ SEE			
TOLERANCES UNLESS OTHERWISE SPECIFIED: 0 PLC ± 1 PLC ±0.25 2 PLC ±0.13 3 PLC ±0.10 4 PLC ± ANGLES ±1°		APVD SF LEONG	DRAWING NO C-1735438		
MATERIAL		PRODUCT SPEC 108-51091	SIZE A3	CAGE CODE 00779	SHEET 5 OF 5
FINISH		APPLICATION SPEC 114-51011	REV B5		
		WEIGHT -	SCALE 1:1		
		CUSTOMER DRAWING			