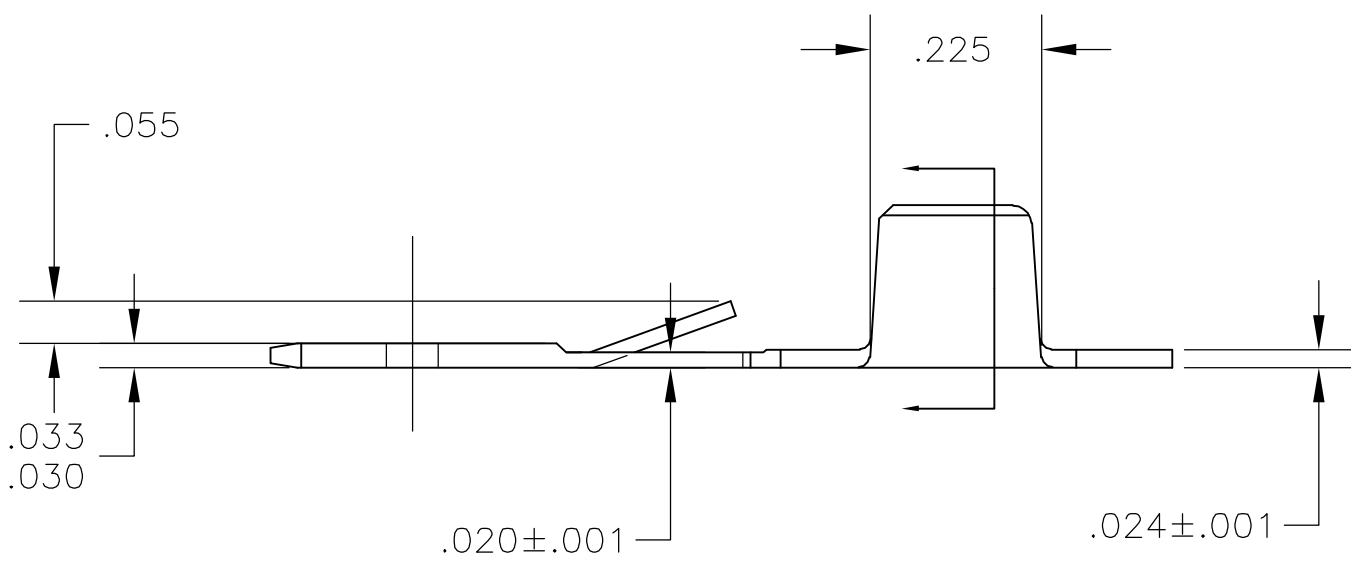
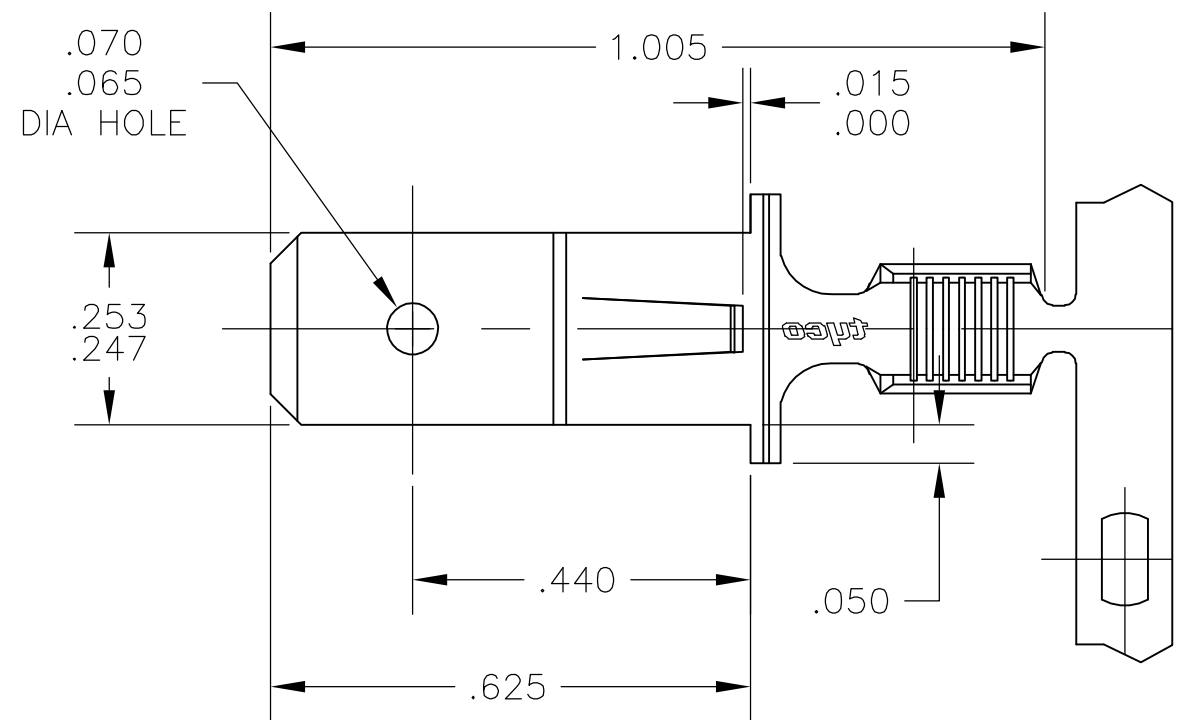
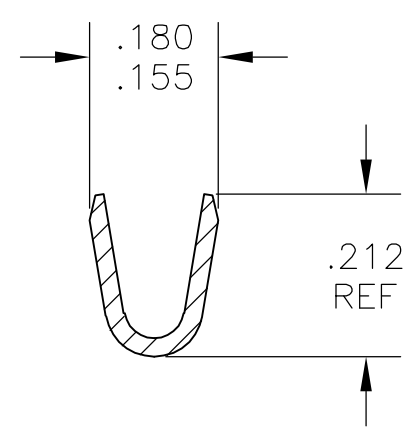


THIS DRAWING IS UNPUBLISHED. RELEASED FOR PUBLICATION
 © COPYRIGHT - BY TYCO ELECTRONICS CORPORATION. ALL RIGHTS RESERVED.

LOC	DIST	REVISIONS			
P	LTR	DESCRIPTION	DATE	DWN	APVD
AF	50	A2	REL PER ECR 07-000181	09JAN07	JR KR



- 1 CONTINUOUS STRIP ON REELS
- 2 WIRE SIZE 3000 - 7000 CMA
- 3 CRIMP INFO: WIDTH .140, F TYPE
 CRIMP HT. (±.002) = (TOTAL CMA + 17,000)/240,000



1742265-1
 PART NO

THIS DRAWING IS A CONTROLLED DOCUMENT.		DWN jr_ruth 11APR05	Tyco Electronics Corporation Harrisburg, Pa 17105-3608				
DIMENSIONS: INCHES		CHK K RANDOLPH 11APR05					
TOLERANCES UNLESS OTHERWISE SPECIFIED:		APVD K RANDOLPH 11APR05	NAME TAB, FASTIN-FASTON, AMPLIVAR, .250 SERIES				
0 PLC ± - 1 PLC ± - 2 PLC ± - 3 PLC ± .010 4 PLC ± - ANGLES ± 5°		PRODUCT SPEC -	APPLICATION SPEC 114-2146				
MATERIAL 082 BRASS		FINISH .000080 MIN TIN	WEIGHT -	SIZE A3	CAGE CODE 00779	DRAWING NO C-1742265	RESTRICTED TO -
CUSTOMER DRAWING			SCALE 4:1	SHEET 1 OF 1	REV A2		